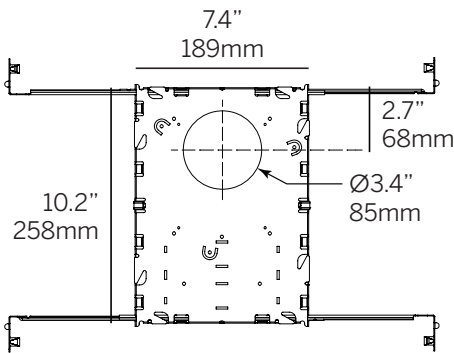
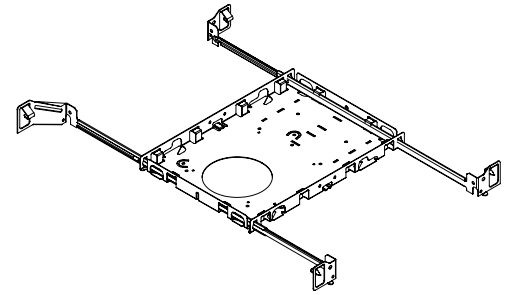
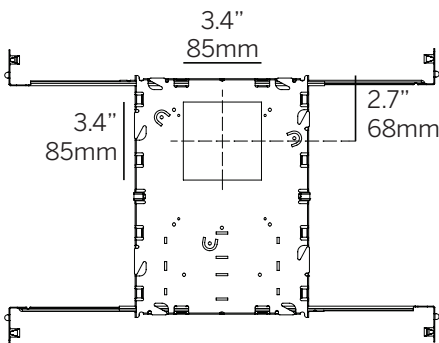


## Housing Information

1/4



Hanger bars adjustable from  
13.6 to 24.5"  
345 to 622mm



### Landing Pan

- Galvanized steel constructions
- Integral junction box and driver accessible through ceiling aperture.
- Supplied with hanger bars that adjust between 13.6" and 24.5"

### Opening

- R = Round
- S = Square

### Drivers

- S010/RS010 = eldoLED 1% 0-10V dimming, 120-277V
- D010/RD010 = eldoLED 0.1% 0-10V dimming, 120-277V
- SPH/RSPH = Triac/ELV 3% dimming, 120V *only*
- PEQ0 = Lutron Hi-lume Premier 0.1% EcoSystem, 120-277V
- D2S/RD2S = eldoLED 0.1%, DALI-2 (DT-6) dimming, 120-277V
- RD2T = eldoLED 0.1%, DALI-2 (DT-8) dimming, 120-277V
- EM= Bodine 6W Emergency Driver, 120-277V
- EM= Iota 7W or 12W Emergency Driver, 120-277V (Remote only)

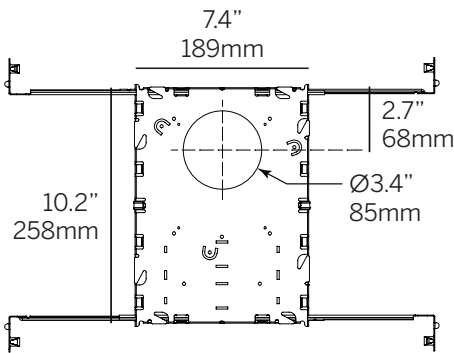
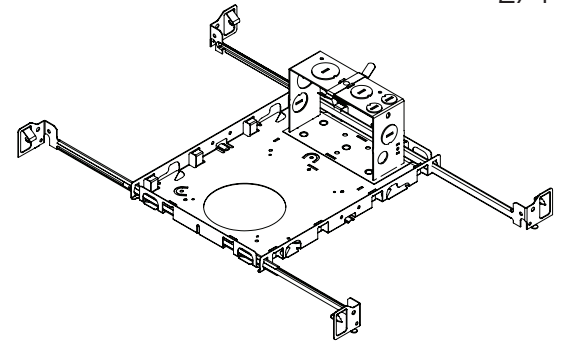
*Refer to the chart on page 4 for more information on Housing/Driver compatibility.*

# 3" ProTools Downlights

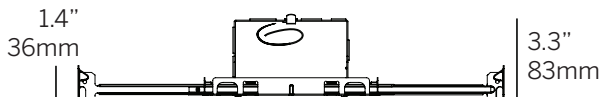
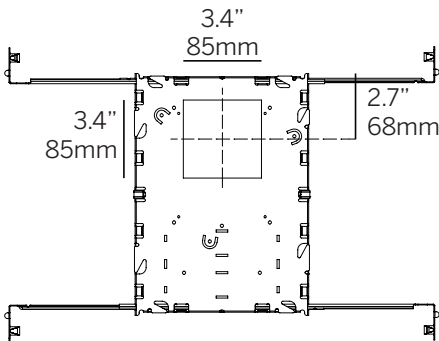
## Housing Information

# New Construction

2/4



Hanger bars adjustable from  
13.6 to 24.5"  
345 to 622mm



### New Construction

- New Construction housing for accessible ceilings only
- Galvanized steel constructions
- Integral junction box and driver accessible through ceiling aperture.
- Supplied with hanger bars that adjust between 13.6" and 24.5"

### Opening

- R = Round
- S = Square

### Drivers

- S010/RS010 = eldoLED 1% 0-10V dimming, 120-277V
- D010/RD010 = eldoLED 0.1% 0-10V dimming, 120-277V
- SPH/RSPH = Triac/ELV 3% dimming, 120V *only*
- PEQ0 = Lutron Hi-lume Premier 0.1% EcoSystem, 120-277V
- D2S/RD2S = eldoLED 0.1%, DALI-2 (DT-6) dimming, 120-277V
- RD2T = eldoLED 0.1%, DALI-2 (DT-8) dimming, 120-277V
- EM= Bodine 6W Emergency Driver, 120-277V
- EM= Iota 7W or 12W Emergency Driver, 120-277V (Remote only)

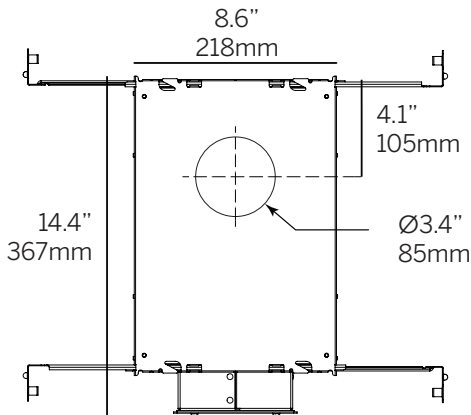
Refer to the chart on page 4 for more information on Housing/Driver compatibility.

# 3" ProTools Downlights

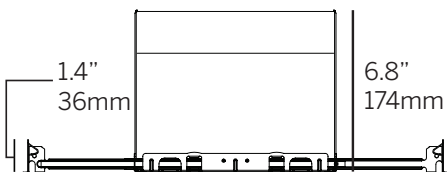
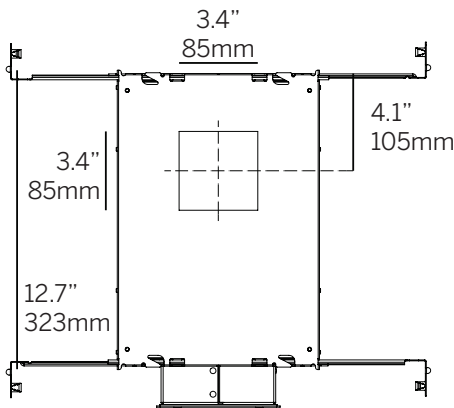
## Housing Information

# Insulated Ceiling Chicago Plenum

3/4



Hanger bars adjustable from  
13.6 to 24.5"  
345 to 622mm

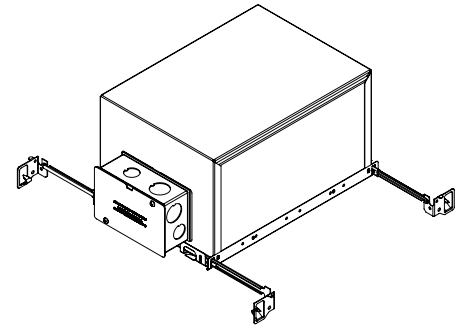


### IC/CP

- IC/CP housing for accessible ceilings only
- Galvanized steel construction
- Fully caulked corners
- Gasketed mating plaster frame surfaces and of integral junction box
- Integral junction box for wire splice from external power source (optional)
- Supplied with hanger bars that adjust between 13.6" and 24.5"
- Anti-vibration embossing
- Designed for an airflow rate not to exceed 2 CFM

### Opening

- R = Round
- S = Square



### Drivers

- S010/RS010 = eldoLED 1% 0-10V dimming, 120-277V
- D010/RD010 = eldoLED 0.1% 0-10V dimming, 120-277V
- SPH/RSPH = Triac/ELV 3% dimming, 120V *only*
- PEQ0 = Lutron Hi-lume Premier 0.1% EcoSystem, 120-277V
- D2S/RD2S = eldoLED 0.1%, DALI-2 (DT-6) dimming, 120-277V
- RD2T = eldoLED 0.1%, DALI-2 (DT-8) dimming, 120-277V
- EM= Bodine 6W Emergency Driver, 120-277V
- EM= Iota 7W or 12W Emergency Driver, 120-277V (Remote only)

*Refer to the chart on page 4 for more information on Housing/Driver compatibility.*

## Driver Chart

4/4

Driver	Driver Wattage	Control Protocol	Dim Level	Fixtures/Driver					Housing (Integral)	Housing (Remote)
				Low 5.7W @ 350mA	Medium 8.4W @ 500mA	High 12W @ 700mA	Tunable White 9W @ 500mA	Warm Dim 11.8W @ 350mA		
S010/RS010	22W	0-10V	1%	1 - 2	1 - 2	1	-	1	LP - NC - IC - CP	LP - IC - CP
RS010	50W	0-10V	1%	1 - 3	1 - 3	1 - 3	-	1	-	LP - IC - CP
RS010	100W	0-10V	1%	1 - 6	1 - 6	1 - 6	-	1 - 2	-	LP - IC - CP
D010/RD010	22W	0-10V	0.1%	1 - 2	1 - 2	1	-	1	LP - NC - IC - CP	LP - IC - CP
RD010	50W	0-10V	0.1%	1 - 6	1 - 4	1 - 4	-	1 - 2	-	LP - IC - CP
RD010	100W	0-10V	0.1%	1 - 12	1 - 8	1 - 8	-	1 - 4	-	LP - IC - CP
SPH/RSPH	20W	Triac/ELV	3%	1 - 2	1 - 2	1	-	1	LP - NC - IC - CP	-
PEQ0	20W	EcoSystem	0.1%	1 - 2	1 - 2	1	-	1	LP - NC - IC - CP	-
D2S/RD2S	22W	DALI-2 (DT-6)	0.1%	1 - 2	1 - 2	1	-	1	LP - NC - IC - CP	LP - IC - CP
RD2S	50W	DALI-2 (DT-6)	0.1%	1 - 6	1 - 4	1 - 4	-	1 - 2	-	LP - IC - CP
RD2S	100W	DALI-2 (DT-6)	0.1%	1 - 6	1 - 6	1 - 6	-	1 - 2	-	LP - IC - CP
RD2T	30W	DALI-2 (DT-8)	0.1%	-	-	-	1 - 2	-	-	LP - IC - CP
EM	6W	Emergency	-		1	-			LP - NC - IC - CP	LP - IC - CP
EM	7W, 12W	Emergency	-		1					LP - IC - CP

**NOTES:** An "integral" driver must be installed in an accessible ceiling. Specify remote driver for all non-accessible ceiling types.

Prefix R = Remote