

3" ProTools Downlights

driver information

Please refer to driver manufacturer's website for current data sheets and wiring guidelines.

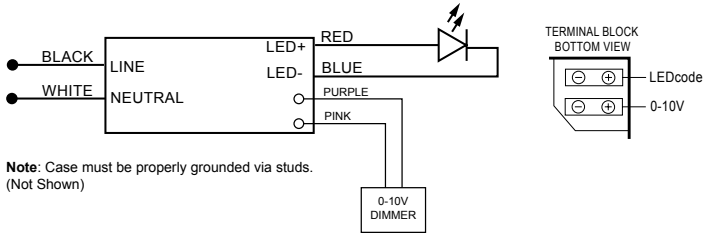
	DRIVER PART NUMBER	DRIVER WATTAGE	CONTROL PROTOCOL	DIMMING LEVEL	FIXTURES PER DRIVER					HOUSING [INTEGRAL]	HOUSING [REMOTE]
					L [5.7W (350mA)]	M [8.4W (500mA)]	H [12W (700mA)]	TW [9W (500mA)]	WD [11.8W (350mA)]		
INTEGRAL	S010	22W	0-10V	1%	1--2	1--2	1	-	1	LP - NC - IC - CP	-
	D010	22W	0-10V	0.1%	1--2	1--2	1	-	1	LP - NC - IC - CP	-
	SPH	20W	Triac / ELV	3%	1--2	1--2	1	-	1	LP - NC - IC - CP	-
	PEQ0	20W	EcoSystem	0.1%	1--2	1--2	1	-	1	LP - NC - IC - CP	-
	D2S	22W	DALI-2 (DT6)	0.1%	1--2	1--2	1	-	1	LP - NC - IC - CP	-
REMOTE	RS010	22W	0-10V	1%	1--2	1--2	1	-	1	-	X - LP - IC - CP
		50W	0-10V	1%	1--3	1--3	1--3	-	1	-	X - LP - IC - CP
		100W	0-10V	1%	1--6	1--6	1--6	-	1--2	-	X - LP - IC - CP
	RD010	22W	0-10V	0.1%	1--2	1--2	1	-	1	-	X - LP - IC - CP
		50W	0-10V	0.1%	1--6	1--4	1--4	-	1--2	-	X - LP - IC - CP
		100W	0-10V	0.1%	1--12	1--8	1--8	-	1--4	-	X - LP - IC - CP
	RSPH	20W	Triac / ELV	3%	1--2	1--2	1	-	1	-	X - LP - IC - CP
	RPEQ0	20W	EcoSystem	0.1%	1--2	1--2	1	-	1	-	X - LP - IC - CP
	RD2S	22W	DALI-2 (DT6)	0.1%	1--2	1--2	1	-	1	-	X - LP - IC - CP
		50W	DALI-2 (DT6)	0.1%	1--6	1--4	1--4	-	1--2	-	X - LP - IC - CP
		100W	DALI-2 (DT6)	1%	1--6	1--6	1--6	-	1--2	-	X - LP - IC - CP
RD2T	30W	DALI-2 (DT8)	0.1%	-	-	-	1--2	-	-	X - LP - IC - CP	

3" ProTools Downlights

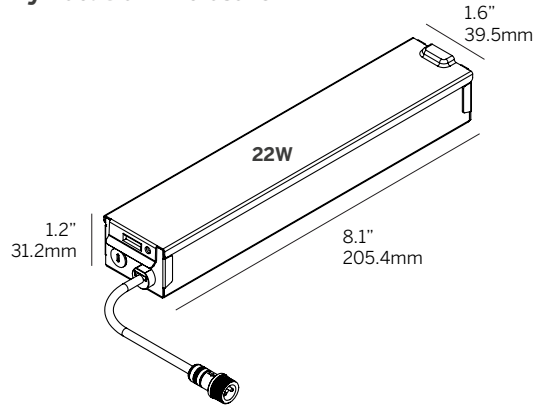
driver information

S010/RS010 = eldoLED 0-10V 1% dimming, 120-277V

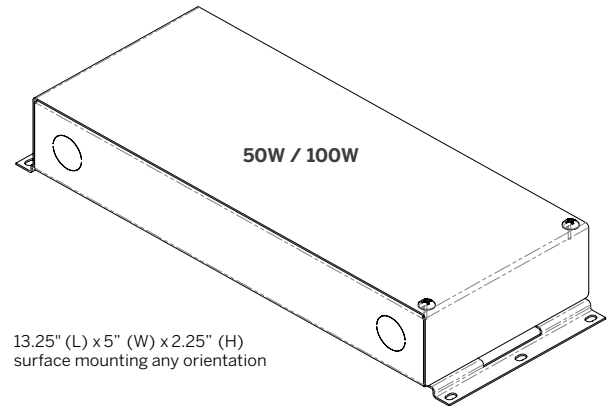
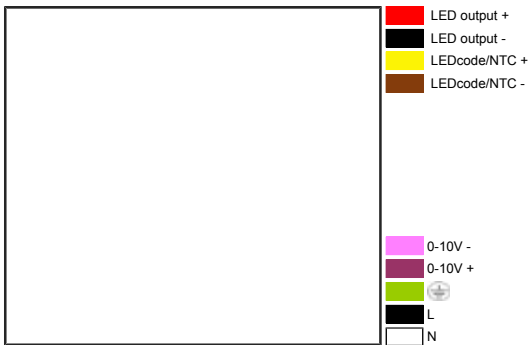
22W (Integral & Remote) [spec sheet](#)



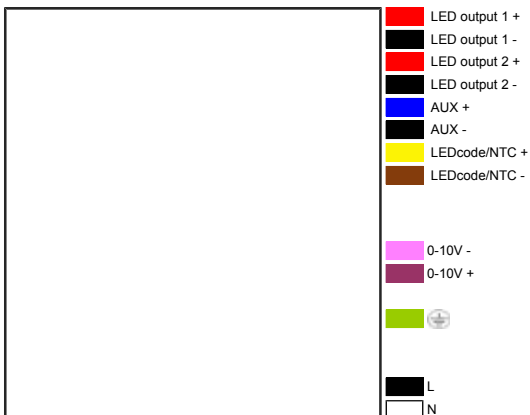
Dry Location Enclosure



50W (Remote Only) [spec sheet](#)



100W (Remote Only) [spec sheet](#)



Wire gauge	Maximum wiring distance ¹
AWG 20 (0.52 mm ²)	46 ft (14 m)
AWG 19 (0.65 mm ²)	59 ft (18 m)
AWG 18 (0.82 mm ²)	72 ft (22 m)
AWG 17 (1.04 mm ²)	92 ft (28 m)
AWG 16 (1.31 mm ²)	118 ft (36 m)

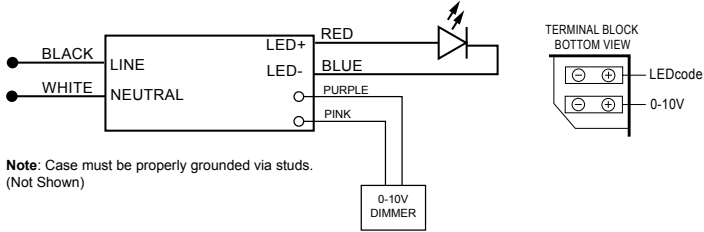
¹Actual distance must be calculated by installer. Must comply with NEC code.

3" ProTools Downlights

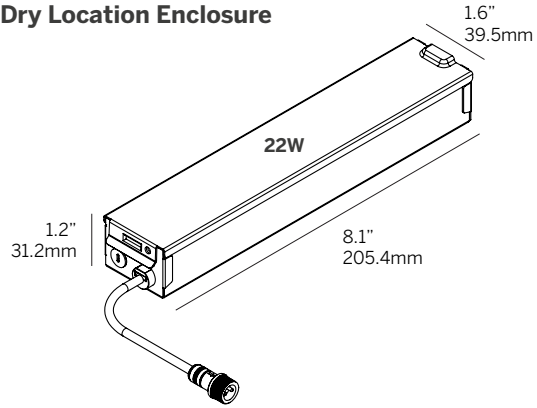
driver information

D010/RD010 = eldoLED 0-10V 0.1% dimming, 120-277V

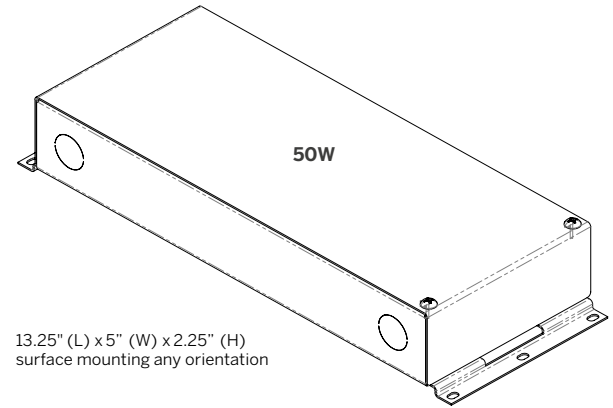
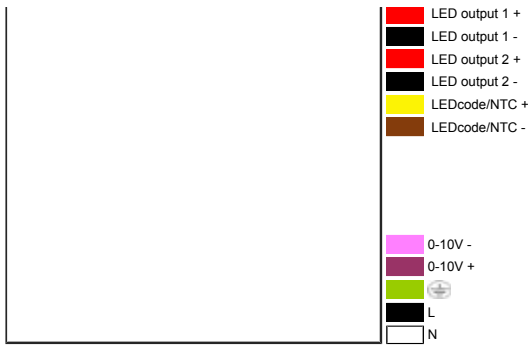
22W (Integral & Remote) [spec sheet](#)



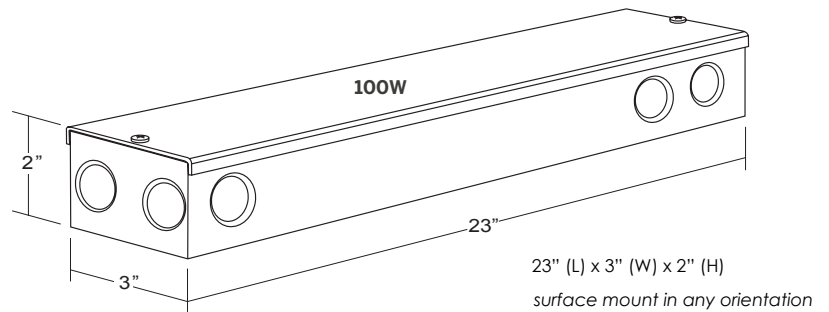
Dry Location Enclosure



50W (Remote Only) [spec sheet](#)



100W (Remote Only) [spec sheet](#)



Wire gauge	Maximum wiring distance ¹
AWG 20 (0.52 mm ²)	46 ft (14 m)
AWG 19 (0.65 mm ²)	59 ft (18 m)
AWG 18 (0.82 mm ²)	72 ft (22 m)
AWG 17 (1.04 mm ²)	92 ft (28 m)
AWG 16 (1.31 mm ²)	118 ft (36 m)

¹Actual distance must be calculated by installer. Must comply with NEC code.

3" ProTools Downlights

driver information

Compatible 0-10V dimmers and switches*

DIMMER MANUFACTURER	WEBSITE	TYPE	RECOMMENDED DIMMING CURVE
Busch-Jaeger	www.busch-jaeger.de	2112U-101	Logarithmic
Jung	www.gb.jung.de	240-10	Logarithmic
Leviton Lighting Controls	www.leviton.com	IllumaTech - IP710-DLX	Logarithmic
Lightolier Controls	www.lightolier.com	ZP600FAM120	Logarithmic
Lutron Electronics	www.lutron.com/LEDtool	Nova T - NTFTV Diva - DDTV Diva - NDTV	Linear Linear Linear
Merten	www.merten.de	5729	Logarithmic
Pass & Seymour	www.legrand.us	CD4FB-W	Logarithmic
The Watt Stopper	www.wattstopper.com	DCLV1	Logarithmic
Sensor Switch	www.sensorswitch.com	nIO EZ	Linear
Synergy	www.synergylightingcontrols.com	ISD BC	Logarithmic

Compatible 0-10V dimming control systems*

CONTROL MANUFACTURER	WEBSITE	TYPE	RECOMMENDED DIMMING CURVE
Lutron Electronics	www.lutron.com/LEDtool	GraphicEye - GRX-TVI w GRX3503 Energy Savr Node - QSN-4T16-S TVM2 Module Linear	Linear Linear Linear
Crestron	www.crestron.com	GLX-DIMFLV8 GLXP-DIMFLV8 GLPAC-DIMFLV4-* GLPAC-DIMFLV8-* GLPP-DIMFLVEX-PM GLPP-1DIMFLV2EX-PM GLPP-1DIMFLV3EX-PM L DIN-AO8 DIN-4DIMFLV4 CLS-EXP-DIMFLV CLCI-1DIMFLV2EX	Logarithmic Logarithmic Logarithmic Logarithmic Logarithmic Logarithmic Logarithmic Logarithmic Logarithmic Logarithmic
ABB	www.abb.com/KNX	IllumaTech - IP710-DLX	Logarithmic

* Compatibility with dimmers and controls systems not included in the above can be verified upon request. Please contact us and provide data sheets for the specified dimmer or control system.

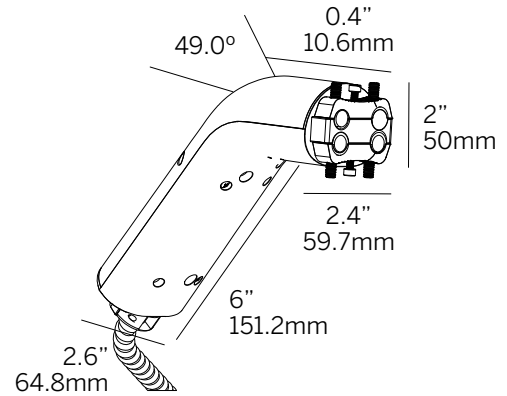
3" ProTools Downlights

driver information

SPH/RSPH = Phase (2-wire) 3% dimming, 120V only (20W) [spec sheet](#)



Dry Location Enclosure



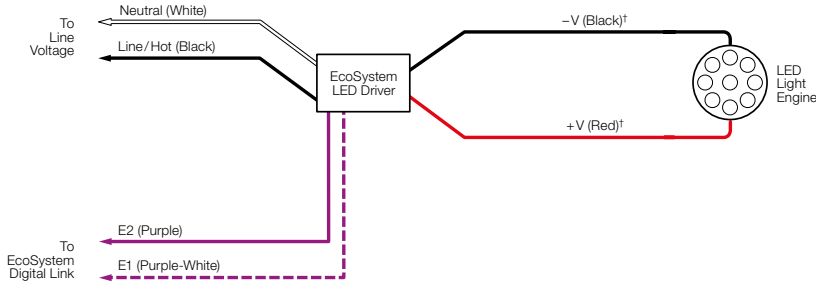
Wire gauge	Maximum wiring distance ¹
AWG 20 (0.52 mm ²)	46 ft (14 m)
AWG 19 (0.65 mm ²)	59 ft (18 m)
AWG 18 (0.82 mm ²)	72 ft (22 m)
AWG 17 (1.04 mm ²)	92 ft (28 m)
AWG 16 (1.31 mm ²)	118 ft (36 m)

¹ Actual distance must be calculated by installer. Must comply with NEC code.

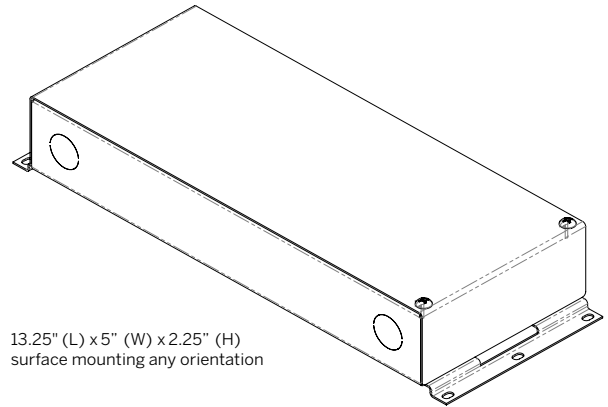
3" ProTools Downlights

driver information

PEQO/RPEQO = Lutron Hi-Lume Premier 0.1% EcoSystem dimming, 120-277V (20W) [spec sheet](#)



Dry Location Enclosure



Wire gauge	Maximum lead length ¹
	150 mA to 700 mA
18 AWG (0.75 mm ²)	30 ft (9 m)
16 AWG (1.5 mm ²)	35 ft (10.5 m)
14 AWG (2.5 mm ²)	50 ft (15 m)
12 AWG (4.0 mm ²)	100 ft (30 m)

¹ Actual distance must be calculated by installer. Must comply with NEC code.

Compatible Controls for Lutron Hi-Lume Premier 0.1% EcoSystem, 120-277V

Lutron EcoSystem Compatible Controls	Part Number		Drivers per Control		
	120 V~	277 V~	EcoSystem Loops per Control	Drivers per EcoSystem Loop	Maximum Drivers per Control
PowPak Dimming Modules	RMJ-ECO32-DV-B		1	32	32
	FCJ/FCJS-ECO ¹		1	3	3
Energi Savr Node	QSN-1ECO-S	N/A	1	64	64
	QSN-2ECO-S		2	64	128
GRAFIK Eye QS / HomeWorks QS control unit	QSGRJ-_E (wireless) QSGR-_E	N/A	1	64	64
Quantum Hub	QP2-__2C	N/A	2	64	128
	QP2-__4C		4	64	256
	QP2-__6C		6	64	384
	QP2-__8C		8	64	512

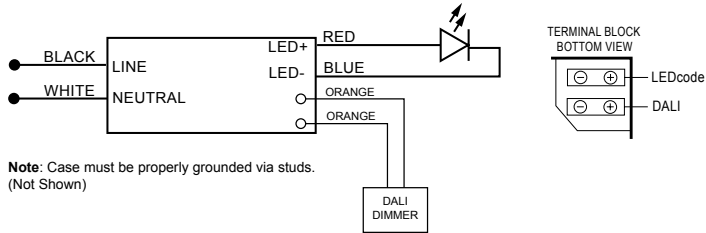
¹ All devices connected to one FCJ/FCJS-ECO will be controlled together. Devices will dim to the same level as the result of a control command. For more detail on adjusting low-end light level refer to Application Note #556 (048556) at www.lutron.com

3" ProTools Downlights

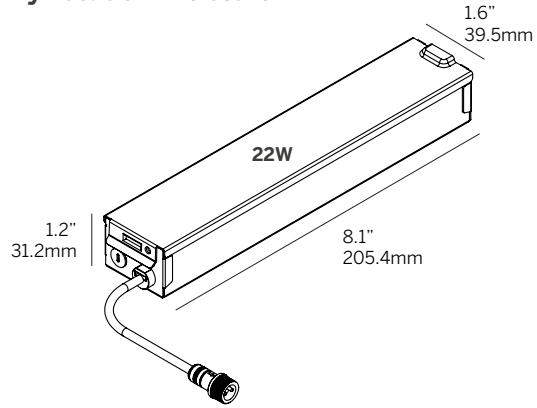
driver information

D2S/RD2S = DALI-2 (DT6) for Static White 0.1% dimming, 120-277V

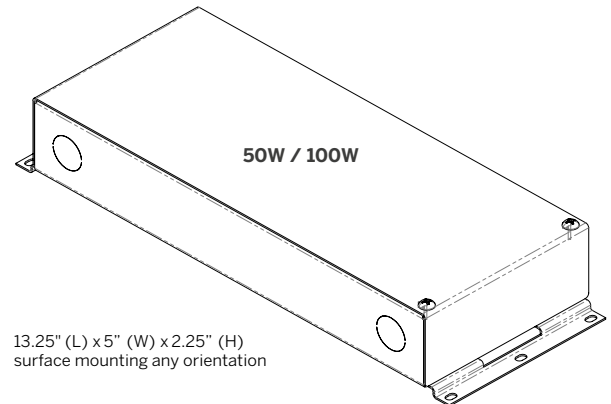
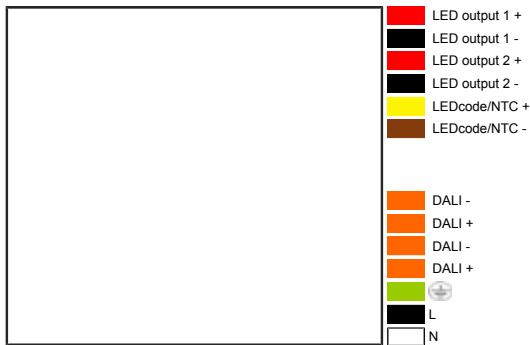
22W (Integral & Remote) [spec sheet](#)



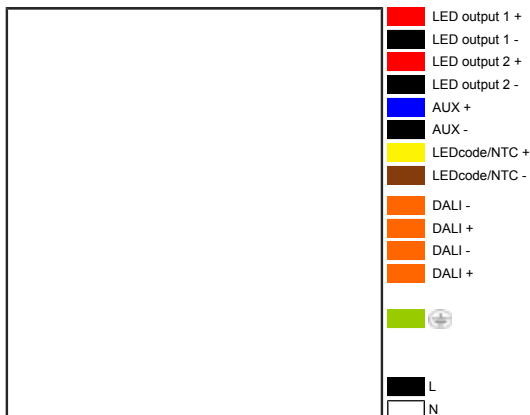
Dry Location Enclosure



50W (Remote Only) [spec sheet](#)



100W (Remote Only) [spec sheet](#)



Wire gauge	Maximum wiring distance ¹
AWG 20 (0.52 mm ²)	46 ft (14 m)
AWG 19 (0.65 mm ²)	59 ft (18 m)
AWG 18 (0.82 mm ²)	72 ft (22 m)
AWG 17 (1.04 mm ²)	92 ft (28 m)
AWG 16 (1.31 mm ²)	118 ft (36 m)

¹Actual distance must be calculated by installer. Must comply with NEC code.

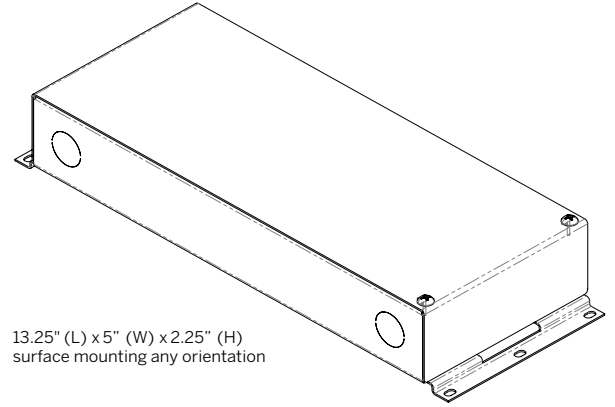
3" ProTools Downlights

driver information

RD2T = DALI-2 (DT8) for Tunable White 0.1% dimming, 120-277V (30W) (Remote Only) [spec sheet](#)



Dry Location Enclosure



13.25" (L) x 5" (W) x 2.25" (H)
surface mounting any orientation

Wire gauge	Maximum wiring distance ¹
AWG 20 (0.52 mm ²)	46 ft (14 m)
AWG 19 (0.65 mm ²)	59 ft (18 m)
AWG 18 (0.82 mm ²)	72 ft (22 m)
AWG 17 (1.04 mm ²)	92 ft (28 m)
AWG 16 (1.31 mm ²)	118 ft (36 m)

¹Actual distance must be calculated by installer. Must comply with NEC code.