

20 Linear Wash Light Semi-Recessed



inter•lux



Contents

- 1 overview
- 2 specifications / configurator
- 3 photometry



Wall Wash Semi Recessed Plaster Trim (SRPT)

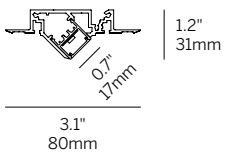


Semi Recessed Bezel Trim (SRBT)

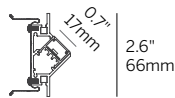
Semi-Recessed Wash Light that for even illumination of walls, ceilings and floors. Trimless and bezel trim for seamless integration into any drywall, wood and metal surfaces. Fixture depth is less than that of drywall.

- Semi-recessed wash light with very shallow depth for continuous mounting to any desired length (1/4" increments), as well as standard grid multiples.
- Multiple lens options for diffuse, high efficiency and low brightness.
- Extruded aluminum housing, easily installed. Field maintainable and upgradeable LED and driver without upsetting the ceiling.
- Efficacy up to 80 lumens per watt (delivered) @ 3000K, see photometry page for details.
- 90+ CRI, 3 Step MacAdam (Static White).
- L70 (TM21 Projected 85C) Static White 60,000 hours, RGBW / Tunable White 50,000 hours, WD 36,000 hours.
- ETL and ETL-C for dry and damp locations.
- Lengths factory cut to exact field dimensions.
- Supplied with 4' class 2 plenum rated feed cable per fixture length.
- Powdercoat painted.

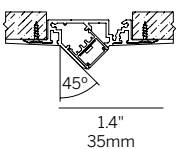
QS Quick Ship Available



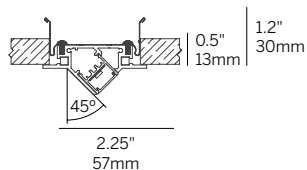
Wall Wash Semi Recessed Plaster Trim (SRPT)



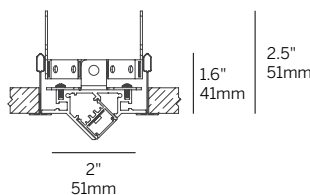
Semi Recessed Bezel Trim (SRBT)



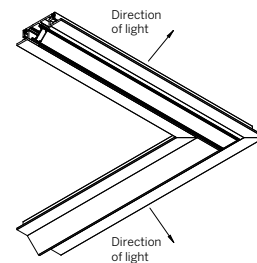
Gypsum Ceiling (SRPT)



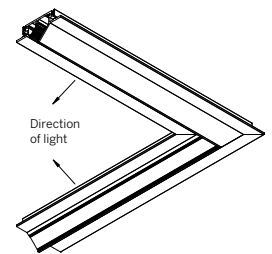
Solid Ceiling (SRBT)



Grid Ceiling (SRGT9/SRGT15)



Pattern Inside (PI)



Pattern Outside (PO)

Minimum Angle 45°
Maximum Angle 180°

Ordering Information									
Model	Fixation	Pattern	Length	Power ²	CRI/CCT ³	Driver ⁴	Lens	Finish	Options
WG-20LWW									
WG-20LWW	SRPT SRBT SRGT9 SRGT15	S PI ¹ PO ¹ PZ ¹	A A x B A x B x C A x B x A x B	L M H P0 P1 P2 P3	927 930 935 940 WD RGBW TW1840 TW2765	X L3D0E S EL96 D010 DALI DPH DMX L3DAE D2DT6 D2DT8	OD (std) MPL	W (std) B S F	AWNRF BT EM WL ⁵

Model

- WG-20LWW = 20 Linear Wash Light Semi Recessed

Fixation

- SRPT = Semi recessed plaster trim
- SRBT = Semi recessed bezel trim
- SRGT9 = Semi recessed grid trim 9/16"
- SRGT15 = Semi recessed grid trim 15/16"

Pattern

- S = Straight run
- PI = Standard patterns 2, 3 or 4 sided with 90° inside corners on the same plane¹
- PO = Standard patterns 2, 3 or 4 sided with 90° outside corners on the same plane¹
- PZ = Non-standard patterns and/or corners other than 90° on multiple planes, consult factory¹

Length

- A, B, C = specify inches to the nearest 0.25" (i.e. 72.25") or patterns specify each length (i.e. 2 sided: A x B = 72.25" x 48"; 3 sided: A x B x C; 4 sided: A x B x A x B)
- For 2 and 4 foot fixtures to fit ceiling grids specify 24" and 48" lengths

Power²

- L = 3W/ft low power (WD 2.7 W/ft) (24V)
- M = 6W/ft mid power (WD 5.5 W/ft) (24V)(RGBW - 7.6 W/ft)
- H = 10W/ft high power (WD 8 W/ft) (24V)
- P0 = 1.5 W/ft
- P1 = 3 W/ft
- P2 = 6 W/ft
- P3 = 10 W/ft

CRI / CCT (90+ CRI minimum)³

- 927 = 2700K
- 930 = 3000K
- 935 = 3500K
- 940 = 4000K
- WD = Warm Dimming (1800K - 3000K)
- RGBW = 3000K White (M power only)
- TW1840 = Tunable white (1800K - 4000K)
- TW2765 = Tunable white (2700K - 6500K)

Driver (remote)⁴

- X = No driver, ordered separately
- S = Standard, non-dim driver 120-277V
- D010 = eldoLED, 10%, 0-10V dimming, 120-277V
- DPH = Phase Dimming, 1% dimming, 120V only
- L3DAE = Lutron Hi-lume 1% EcoSystem, 120-277V
- L3D0E = Lutron Hi-lume Premier 0.1% EcoSystem, 120-277V
- DALI = eldoLED DALI (DT6), 0.1% dimming (120-277V)
- DMX = eldoLED, 24V, 0.1% DMX Dimming
- D2DT6 = DALI-2 (DT6), 0.1% dimming (120-277V) [TW only]
- D2DT8 = DALI-2 (DT8), 0.1% dimming (120-277V) [TW only]

Lens

- OD = Satin opal diffuser (standard)
- MPL = Micro-prismatic lens

Finish

- W = White, 15% gloss, RAL 9010 (standard)
- B = Black, 15% gloss, RAL 9005
- S = Silver, 15% gloss, RAL 9006
- F = Custom finished trim, specify RAL

Options

- AWNRF = Lutron Athena Wireless Node RF (specify with D010, EL96, DALI or D2DT6/D2DT8 for TW)
- BT = Wireless CAS - Casambi (specify with D010, EL96, DALI, DMX or D2DT6/D2DT8 for TW)
- EM = Emergency (remote)
- WL = Wet Location Under Canopy / Cover⁵

- See pattern spec sheet.
- Wattage shown is for LED boards only, system wattage varies depending on driver selected.
- See photometric data sheet for delivered lumens.
- Remote power supply required. See power supply page for details.
- Wet Location option available for OD / MPL lenses and recessed / surface ceiling applications only.

Lenses/Accessories

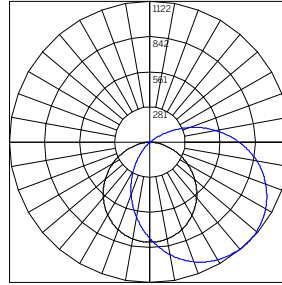


Opal Diffuser (OD)
Micro-prismatic Lens (MPL)

20 Linear Wash Light Semi-Recessed

WG-20LWW-SRxT-OD-W¹
Delivered Lumens Per Foot

		Power			
		L [3 W/ft]	M [6 W/ft]	H [10 W/ft]	RGBW [7.6 W/ft]
CCT	927	183	366	641	-
	930	199	398	697	-
	935	236	473	828	-
	940	281	562	983	-
	WD ²	140	291	421	-
	RGBW ³	-	-	-	238
UGR ⁴		37.4	39.9	41.7	-



BEAM ANGLE (0-180) = 110.2
BEAM ANGLE (90-270) = 110.9

		Power			
		PO [1.5 W/ft]	P1 [3 W/ft]	P2 [6 W/ft]	P3 [10 W/ft]
CCT	TW1840 ⁵	174	339	629	968
	TW2765 ⁵	174	331	621	968

Power Multiplier

	L [3 W/ft]	M [6 W/ft]	H [10 W/ft]	RGBW [7.6 W/ft]
9XX/RGBW	0.29	0.57	1.00	0.29
WD	0.17	0.35	0.51	-

Power Multiplier

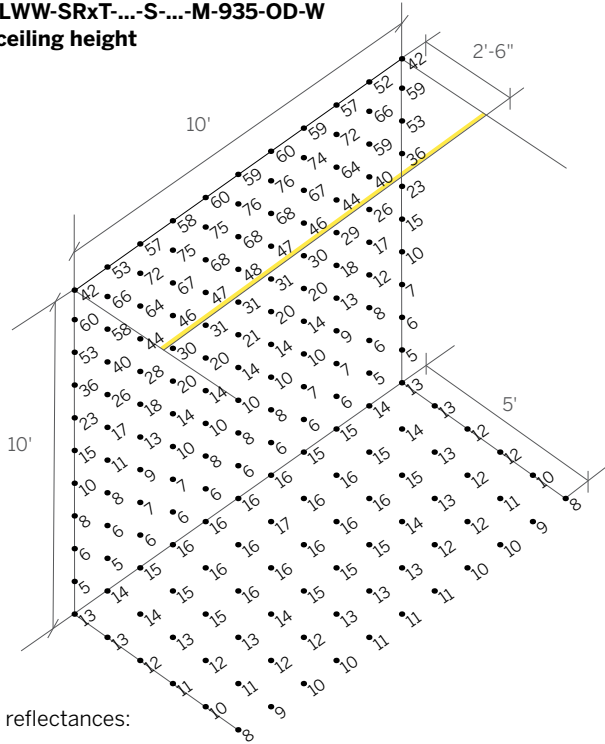
	PO [1.5 W/ft]	P1 [3 W/ft]	P2 [6 W/ft]	P3 [10 W/ft]
TW1840	0.21	0.41	0.76	1.17
TW2765	0.21	0.40	0.75	1.17

CCT Multiplier

	927	930	935	940
	0.77	0.84	1.00	1.19

- 1 Polar Plot is applicable to part number noted; use Multiplier table(s) to approximate other Power / CCT options.
- 2 WD lumen data at maximum output (3000K).
- 3 RGBW lumen data at maximum output with 3000K White LED.
- 4 UGR value noted is the maximum UGR (crosswise) with 935 LEDs / 48" length.
- 5 TW lumen data at maximum output (4000K and 6500K, respectively). TW1840 produces approx. 40% less lumens at 1800K; TW2765 produces approx. 5% less lumens at 2700K.

WG-20LWW-SRxT-...-S-...-M-935-OD-W 10'-0" ceiling height

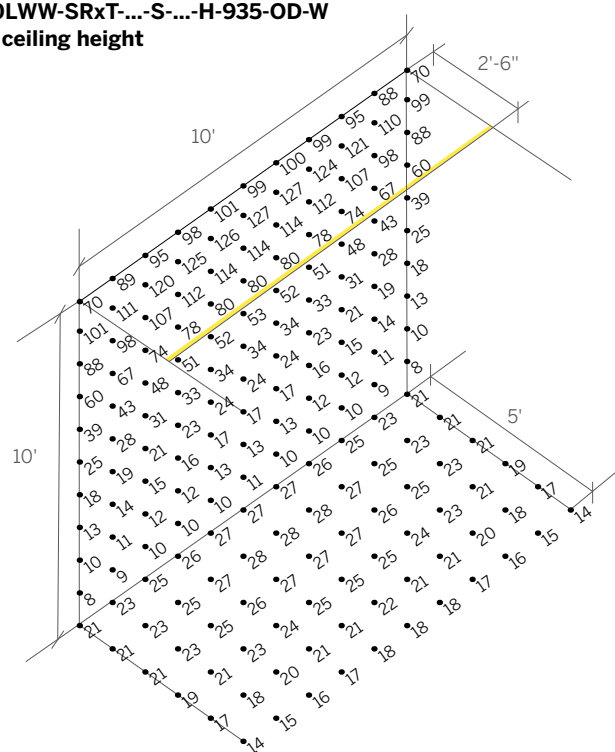


Surface reflectances:

- 80% Ceiling
- 50% Wall
- 20% Floor

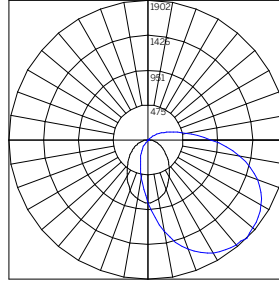
Illuminance points are spaced 1'-0" on center.
Illuminance values are shown in units of foot-candles.

WG-20LWW-SRxT-...-S-...-H-935-OD-W 10'-0" ceiling height



20 Linear Wash Light Semi-Recessed

WG-20LWW-SRxT-MPL-W ¹					
Delivered Lumens Per Foot					
		Power			
		L [3 W/ft]	M [6 W/ft]	H [10 W/ft]	RGBW [7.6 W/ft]
CCT	927	209	418	732	-
	930	228	454	795	-
	935	270	540	945	-
	940	321	641	1123	-
	WD ²	160	332	481	-
	RGBW ³	-	-	-	272
UGR ⁴		40.8	43.4	45.2	-



BEAM ANGLE (0-180) = 85.5
 BEAM ANGLE (90-270) = 81.4

		Power			
		PO [1.5 W/ft]	P1 [3 W/ft]	P2 [6 W/ft]	P3 [10 W/ft]
CCT	TW1840 ⁵	198	387	718	1105
	TW2765 ⁵	198	378	709	1105

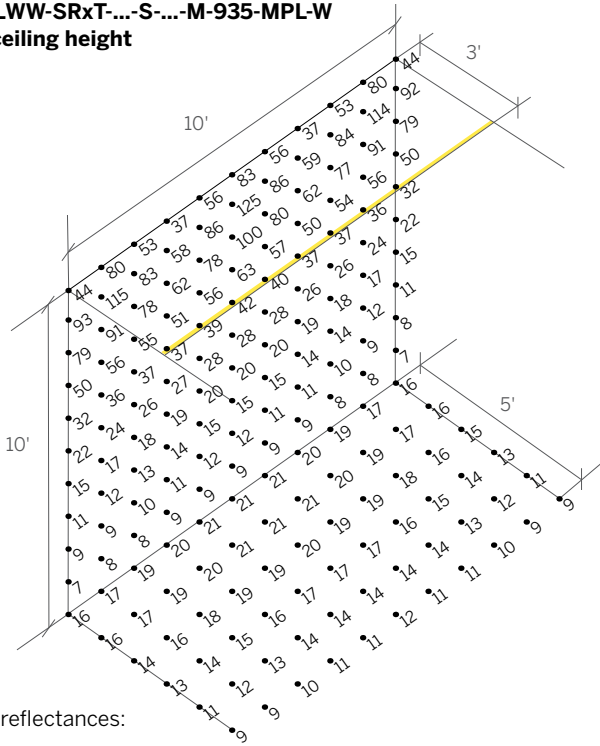
Power Multiplier				
	L [3 W/ft]	M [6 W/ft]	H [10 W/ft]	RGBW [7.6 W/ft]
9XX/RGBW	0.29	0.57	1.00	0.29
WD	0.17	0.35	0.51	-

Power Multiplier				
	PO [1.5 W/ft]	P1 [3 W/ft]	P2 [6 W/ft]	P3 [10 W/ft]
TW1840	0.21	0.41	0.76	1.17
TW2765	0.21	0.40	0.75	1.17

CCT Multiplier				
	927	930	935	940
	0.77	0.84	1.00	1.19

- 1 Polar Plot is applicable to part number noted; use Multiplier table(s) to approximate other Power / CCT options.
- 2 WD lumen data at maximum output (3000K).
- 3 RGBW lumen data at maximum output with 3000K White LED.
- 4 UGR value noted is the maximum UGR (crosswise) with 935 LEDs / 48" length.
- 5 TW lumen data at maximum output (4000K and 6500K, respectively). TW1840 produces approx. 40% less lumens at 1800K; TW2765 produces approx. 5% less lumens at 2700K.

WG-20LWW-SRxT-...-S-...-M-935-MPL-W 10'-0" ceiling height

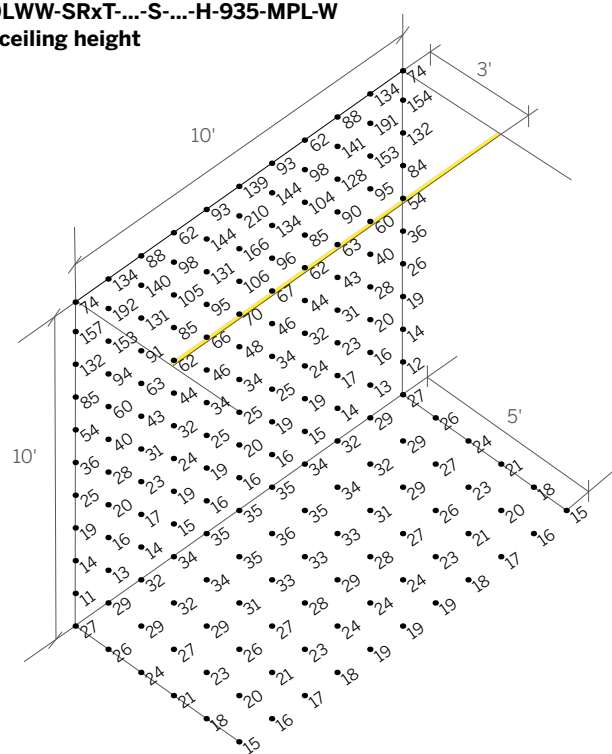


Surface reflectances:

- 80% Ceiling
- 50% Wall
- 20% Floor

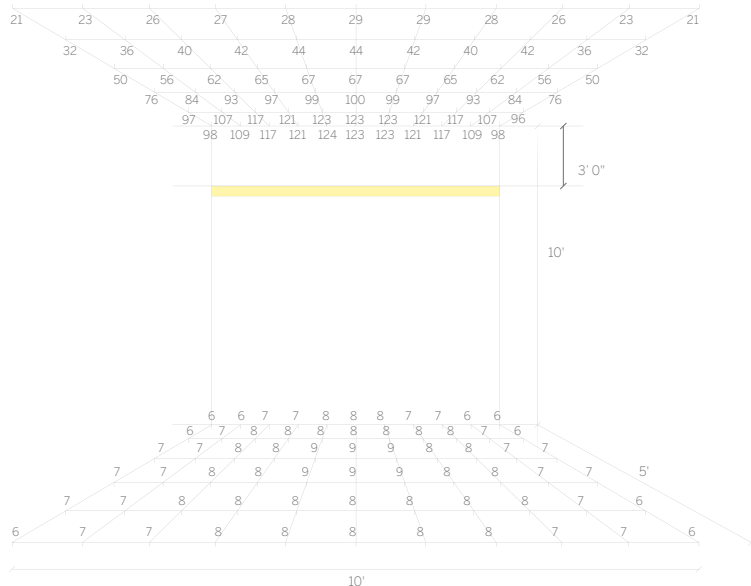
Illuminance points are spaced 1'-0" on center.
 Illuminance values are shown in units of foot-candles.

WG-20LWW-SRxT-...-S-...-H-935-MPL-W 10'-0" ceiling height

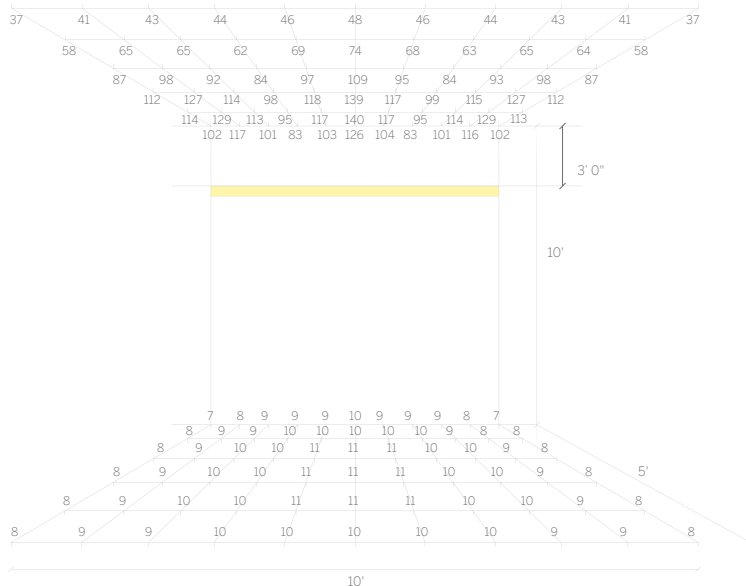


20 Linear Wash Light Semi-Recessed

WG-20LWW-SRxT-...-S-...-H-935-OD-W
10'-0" ceiling height



WG-20LWW-SRxT-...-S-...-H-935-MPL-W
10'-0" ceiling height



Power Multiplier				
	L [3 W/ft]	M [6 W/ft]	H [10 W/ft]	RGBW [7.6 W/ft]
9XX/RGBW	0.29	0.57	1.00	0.29
WD	0.17	0.35	0.51	-
CCT Multiplier				
	927	930	935	940
	0.77	0.84	1.00	1.19

Surface reflectances:

- 80% Ceiling
- 50% Wall
- 20% Floor

Illuminance points are spaced 1'-0" on center.
 Illuminance values are shown in units of foot-candles.