

20 Linear Wash Light Recessed

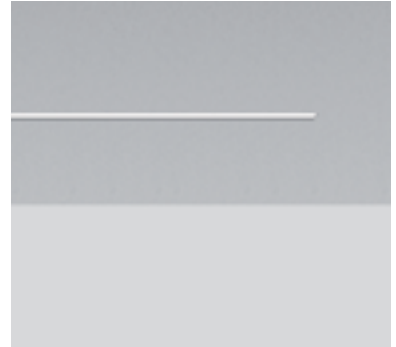


inter•lux

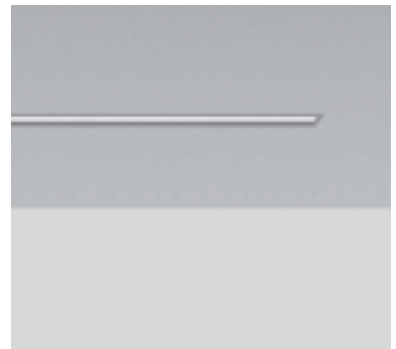


Contents

- 1 overview
- 2 specifications / configurator
- 3 photometry



Recessed Plaster Trim (RPT)



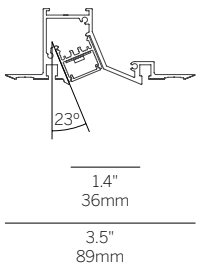
Recessed Bezel Trim (RBT)



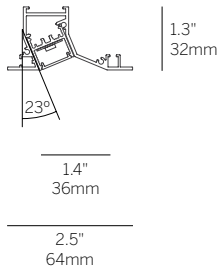
Quick Ship Available

Fully recessed Wash Light for even illumination of walls, ceilings and floors. Minimal aperture of 0.7" of continuous and even illumination.

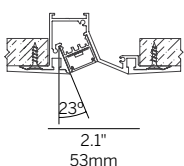
- Fully recessed wash light with very shallow depth for continuous mounting to any desired length (1/4" increments), as well as standard grid multiples.
- Multiple lenses and louvers for general, accent, Multiple lens options for diffuse, high efficiency and low brightness.
- Extruded aluminum housing, easily installed. Field maintainable and upgradeable LED and driver without upsetting the ceiling.
- Efficacy up to 80 lumens per watt (delivered) @ 3000K, see photometry page for details.
- 90+ CRI, 3 Step MacAdam (Static White).
- L70 (TM21 Projected 85C) Static White 60,000 hours, RGBW / Tunable White 50,000 hours, WD 36,000 hours.
- ETL and ETL-C for dry and damp locations.
- Lengths and angles factory-cut to exact field dimensions. Standard and custom corners.
- Supplied with 4' class 2 plenum rated feed cable per fixture length.
- Powdercoat painted.



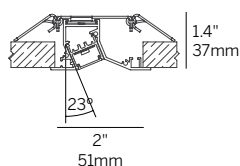
Recessed Plaster Trim (RPT)



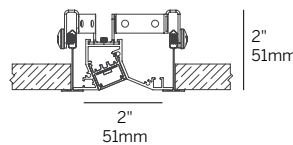
Recessed Bezel Trim (RBT)



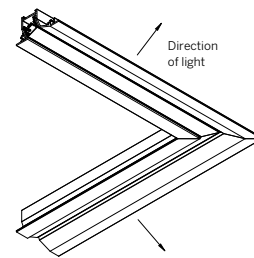
Gypsum Wall / Ceiling (RPT)



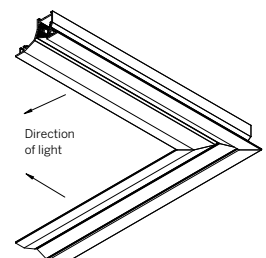
Solid Wall / Ceiling (RBT)



Grid Ceiling (RGT9/RGT15)



Pattern Inside (PI)



Pattern Outside (PO)

Minimum Angle 30°
Maximum Angle 180°

20 Linear Wash Light Recessed

Ordering Information									
Model	Fixation	Pattern	Length	Power ²	CRI/CCT ³	Driver ⁴	Lens	Finish	Options
WG-20LWW	RPT RBT RGT9 RGT15	S P ¹ PO ¹ PZ ¹	A A x B A x B x C A x B x A x B	L M H PO P1 P2 P3	927 930 935 940 WD RGBW	X L3D0E S EL96 D010 DALI DPH DMX L3DAE	OD (std) MPL	W (std) B S F	AWNRF BT EM WL ⁵

Model

- WG-20LWW = 20 Linear Wash Light Recessed

Fixation

- RPT = Recessed plaster trim
- RBT = Recessed bezel trim
- RGT9 = Recessed grid trim 9/16"
- RGT15 = Recessed grid trim 15/16"

Pattern

- S = Straight run
- PI = Standard patterns 2, 3 or 4 sided with 90° inside corners on the same plane¹
- PO = Standard patterns 2, 3 or 4 sided with 90° outside corners on the same plane¹
- PZ = Non-standard patterns and/or corners other than 90° on multiple planes, consult factory¹

Length

- A, B, C = specify inches to the nearest 0.25" (i.e. 72.25")
For patterns specify each length (i.e. 2 sided: A x B = 72.25" x 48";
3 sided: A x B x C; 4 sided: A x B x A x B)
- For 2 and 4 foot fixtures to fit ceiling grids specify 24" and 48" lengths

Power²

- L = 3W/ft low power (WD 2.7 W/ft) (24V)
- M = 6W/ft mid power (WD 5.5 W/ft) (24V) (RGBW - 7.6 W/ft)
- H = 10W/ft high power (WD 8 W/ft) (24V)
- P0 = 1.5 W/ft
- P1 = 3 W/ft
- P2 = 6 W/ft
- P3 = 10 W/ft

CRI / CCT (90+ CRI minimum)³

- 927 = 2700K
- 930 = 3000K
- 935 = 3500K
- 940 = 4000K
- WD = Warm Dimming (1800K - 3000K)
- RGBW = 3000K White (M power only)
- TW1840 = Tunable white (1800K - 4000K)
- TW2765 = Tunable white (2700K - 6500K)

Driver (remote)⁴

- X = No driver, ordered separately
- S = Standard, non-dim driver 120-277V
- D010 = eldoLED, 10%, 0-10V dimming, 120-277V
- DPH = Phase Dimming, 1% dimming, 120V only
- L3DAE = Lutron Hi-lume 1% EcoSystem, 120-277V
- L3D0E = Lutron Hi-lume Premier 0.1% EcoSystem, 120-277V
- EL96 = eldoLED / EldoLED, 24V, 0.1% 0-10V Dimming
- DALI = eldoLED DALI (DT6), 0.1% dimming (120-277V)
- DMX = eldoLED, 24V, 0.1% DMX Dimming
- D2DT6 = DALI-2 (DT6), 0.1% dimming (120-277V) [TW only]
- D2DT8 = DALI-2 (DT8), 0.1% dimming (120-277V) [TW only]

Lens

- OD = Satin opal diffuser (standard)
- MPL = Micro-prismatic lens

Finish

- W = White, 15% gloss, RAL 9010 (standard)
- B = Black, 15% gloss, RAL 9005
- S = Silver, 15% gloss, RAL 9006
- F = Custom finished trim, specify RAL

Options

- AWNRF = Lutron Athena Wireless Node RF (specify with D010, EL96, DALI or D2DT6/D2DT8 for TW)
- BT = Wireless CAS – Casambi (specify with D010, EL96, DALI, DMX or D2DT6/D2DT8 for TW)
- EM = Emergency (remote)
- WL = Wet Location Under Canopy / Cover⁵

- See pattern spec sheet.
- Wattage shown is for LED boards only, system wattage varies depending on driver selected.
- See photometric data sheet for delivered lumens.
- Remote power supply required. See power supply page for details.
- Wet Location option available for OD / MPL lenses and recessed / surface ceiling applications only.

Lenses/Accessories



Opal Diffuser (OD)
Micro-prismatic Lens (MPL)

20 Linear Wash Light Recessed

WG-20LWW-...-OD-W¹ Delivered Lumens Per Foot

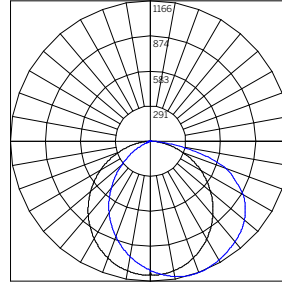
		Power			
		L [3 W/ft]	M [6 W/ft]	H [10 W/ft]	RGBW [7.6 W/ft]
CCT	927	183	366	640	-
	930	199	398	696	-
	935	236	473	827	-
	940	281	561	982	-
	WD ²	140	291	421	-
	RGBW ³	-	-	-	238
UGR ⁴		32.2	34.7	36.5	-

		Power			
		PO [1.5 W/ft]	P1 [3 W/ft]	P2 [6 W/ft]	P3 [10 W/ft]
CCT	TW1840 ⁵	174	339	628	967
	TW2765 ⁵	174	331	620	967

Power Multiplier				
	L [3 W/ft]	M [6 W/ft]	H [10 W/ft]	RGBW [7.6 W/ft]
9XX/RGBW	0.29	0.57	1.00	0.29
WD	0.17	0.35	0.51	-

Power Multiplier				
	PO [1.5 W/ft]	P1 [3 W/ft]	P2 [6 W/ft]	P3 [10 W/ft]
TW1840	0.21	0.41	0.76	1.17
TW2765	0.21	0.40	0.75	1.17

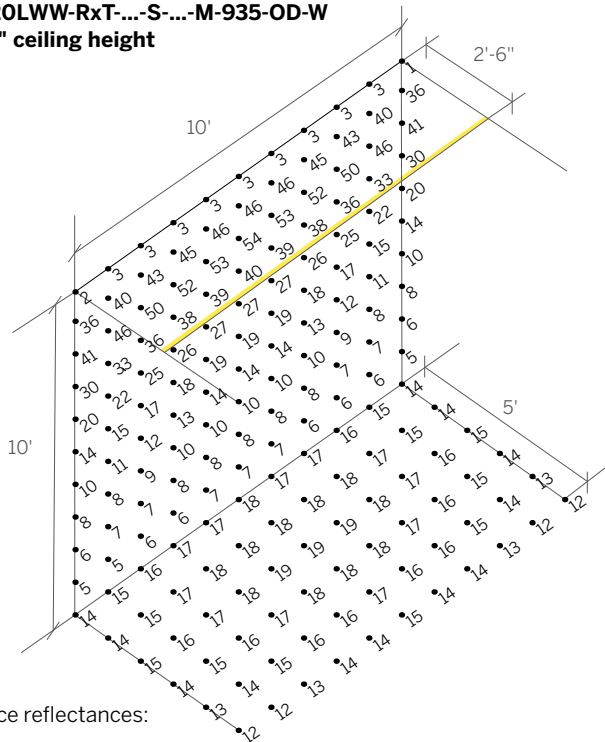
CCT Multiplier				
	927	930	935	940
	0.77	0.84	1.00	1.19



BEAM ANGLE (0-180) = 106.7
BEAM ANGLE (90-270) = 111.0

- 1 Polar Plot is applicable to part number noted; use Multiplier table(s) to approximate other Power / CCT options.
- 2 WD lumen data at maximum output (3000K).
- 3 RGBW lumen data at maximum output with 3000K White LED.
- 4 UGR value noted is the maximum UGR (crosswise) with 935 LEDs / 48" length.
- 5 TW lumen data at maximum output (4000K and 6500K, respectively). TW1840 produces approx. 40% less lumens at 1800K; TW2765 produces approx. 5% less lumens at 2700K.

WG-20LWW-RxT-...-S-...-M-935-OD-W 10'-0" ceiling height

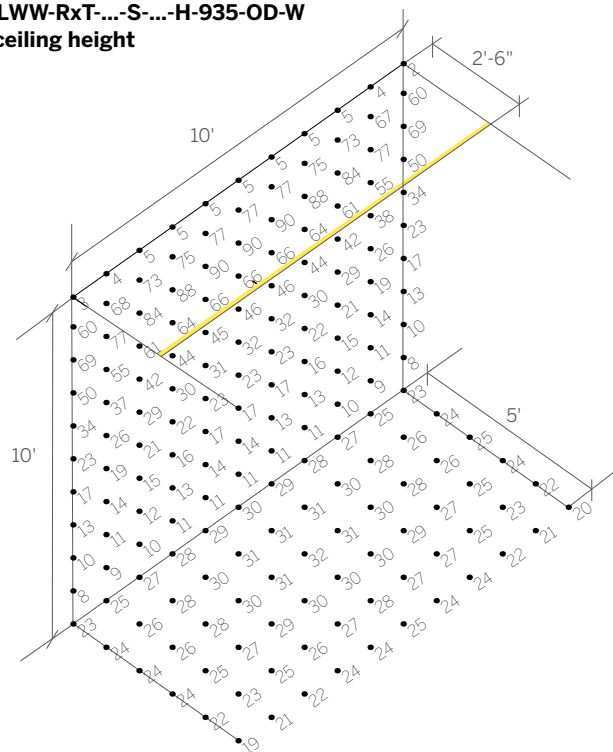


Surface reflectances:

- 80% Ceiling
- 50% Wall
- 20% Floor

Illuminance points are spaced 1'-0" on center.
Illuminance values are shown in units of foot-candles.

WG-20LWW-RxT-...-S-...-H-935-OD-W 10'-0" ceiling height



20 Linear Wash Light Recessed

WG-20LWW-...-MPL-W¹

Delivered Lumens Per Foot

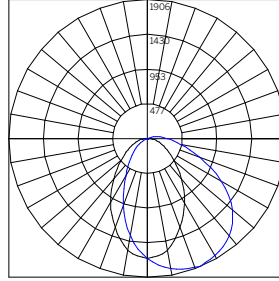
		Power			
		L [3 W/ft]	M [6 W/ft]	H [10 W/ft]	RGBW [7.6 W/ft]
CCT	927	209	418	732	-
	930	228	455	796	-
	935	270	540	945	-
	940	321	642	1123	-
	WD ²	160	333	481	-
	RGBW ³	-	-	-	272
UGR ⁴		35.0	37.6	39.4	-

		Power			
		P0 [1.5 W/ft]	P1 [3 W/ft]	P2 [6 W/ft]	P3 [10 W/ft]
CCT	TW1840 ⁵	199	388	718	1106
	TW2765 ⁵	199	378	709	1106

Power Multiplier				
	L [3 W/ft]	M [6 W/ft]	H [10 W/ft]	RGBW [7.6 W/ft]
9XX/RGBW	0.29	0.57	1.00	0.29
WD	0.17	0.35	0.51	-

Power Multiplier				
	P0 [1.5 W/ft]	P1 [3 W/ft]	P2 [6 W/ft]	P3 [10 W/ft]
TW1840	0.21	0.41	0.76	1.17
TW2765	0.21	0.40	0.75	1.17

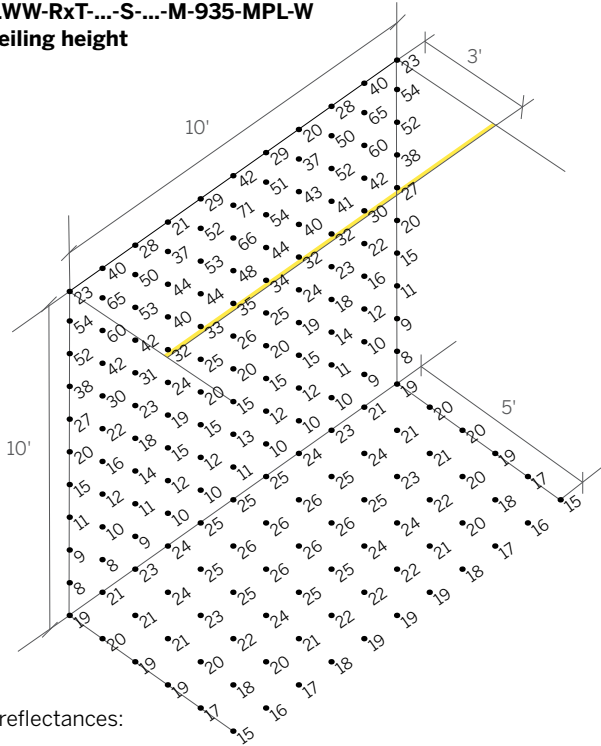
CCT Multiplier				
	927	930	935	940
	0.77	0.84	1.00	1.19



BEAM ANGLE (0-180) = 85.5
BEAM ANGLE (90-270) = 73.0

- 1 Polar Plot is applicable to part number noted; use Multiplier table(s) to approximate other Power / CCT options.
- 2 WD lumen data at maximum output (3000K).
- 3 RGBW lumen data at maximum output with 3000K White LED.
- 4 UGR value noted is the maximum UGR (crosswise) with 935 LEDs / 48" length.
- 5 TW lumen data at maximum output (4000K and 6500K, respectively). TW1840 produces approx. 40% less lumens at 1800K; TW2765 produces approx. 5% less lumens at 2700K.

WG-20LWW-RxT-...-S-...-M-935-MPL-W 10'-0" ceiling height



Surface reflectances:

- 80% Ceiling
- 50% Wall
- 20% Floor

Illuminance points are spaced 1'-0" on center.
Illuminance values are shown in units of foot-candles.

WG-20LWW-RxT-...-S-...-H-935-MPL-W 10'-0" ceiling height

