

# 20 Linear Mini Z Cove



inter•lux



## Contents

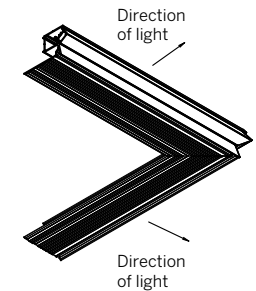
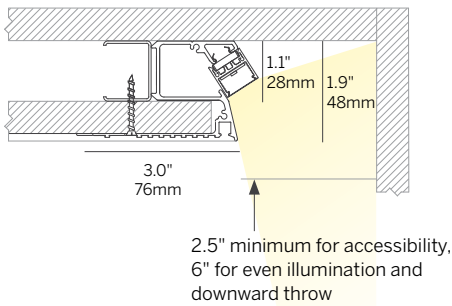
- 1 overview
- 2 specifications / configurator
- 3 photometry



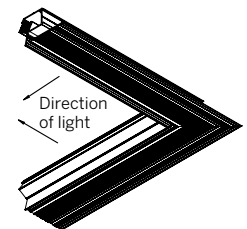
**Compact and powerful continuous perimeter luminaire with plaster-in Plaster Trim knife edge detail for a perfect finish. Delivers light smoothly down the wall from a concealed position.**

**QS** Quick Ship Available

- Miniature continuous perimeter cove with knife edge detail utilizing 20 Linear as the light source.
- Suitable for 1/2" or 5/8" drywall ceiling.
- Extruded aluminum housing, easily installed internal LED fixture insert. Remote driver. Field replaceable LED boards.
- Efficacy up to 66 lumens per watt (delivered) @ 3000K, see photometry page for details.
- 90+ CRI, 3 Step MacAdam (Static White).
- L70 (TM21 Projected 85°C) Static White / Tunable White / RGBW 50,000 hours. WD 36,000 hours.
- ETL and ETL-C for dry and damp locations.
- Standard satin opal diffuser for even illumination and no LED appearance. Multiple lens options for high efficiency or low brightness.
- Lengths and angles factory cut to exact field dimensions. Standard and custom corners.
- 4' class 2 plenum rated feed cable standard.
- Powdercoat painted.



Pattern Inside (PI)



Pattern Outside (PO)

### Lenses/Accessories



Opal Diffuser (OD)  
Micro-prismatic Lens (MPL)

Ordering Information									
Model	Fixation	Pattern	Length	Power <sup>2</sup>	CRI/CCT <sup>3</sup>	Driver <sup>4</sup>	Lens	Finish	Options
WG-20MZC	RPT	S PI <sup>1</sup> PO <sup>1</sup> PZ <sup>1</sup>	A A x B A x B x C A x B x A x B	L M H  PO P1 P2 P3	927 930 935 940 WD RGBW	X S D010 DPH L3DAE L3DOE  D2DT6 D2DT8	OD (std) MPL	W (std) F	AWNRF BT EM

### Model

- WG-20MZC = 20 Linear Mini Z Cove

### Fixation

- RPT = Recessed Plaster Trim

### Pattern

- S = Straight run
- PI = Standard patterns 2, 3, or 4 sided with 90° inside corners on the same plane<sup>1</sup>
- PO = Standard patterns 2, 3 or 4 sided with 90° outside corners on the same plane<sup>1</sup>
- PZ = Non-standard patterns and/or corners other than 90°, consult factory<sup>1</sup>

### Length

- A, B, C = specify inches to the nearest 0.25" (i.e. 72.25")  
For patterns specify each length (i.e. 2 sided: A x B = 72.25" x 48";  
3 sided: A x B x C; 4 sided: A x B x A x B)

### Power<sup>2</sup>

- L = 3 W/ft low power (WD 2.7 W/ft) (24V)
- M = 6 W/ft mid power (WD 5.5 W/ft) (24V) (RGBW - 7.6 W/ft)
- H = 10 W/ft high power (WD 8 W/ft) (24V)
- P0 = 1.5 W/ft
- P1 = 3 W/ft
- P2 = 6 W/ft
- P3 = 10 W/ft

### CRI / CCT (90+ CRI minimum)<sup>4</sup>

- 927 = 2700K
- 930 = 3000K
- 935 = 3500K
- 940 = 4000K
- WD = Warm Dim 1800K - 3000K
- RGBW = 3000K White
- TW1840 = Tunable white 1800K - 4000K
- TW2765 = Tunable white 2700K - 6500K

### Driver (remote)<sup>5</sup>

- X = No driver, ordered separately
- S = Standard, non-dim driver 120-277V
- D010 = eldoLED 10%, 0-10V dimming, 120-277V
- DPH = Phase Dimming, 1% dimming, 120V only
- L3DAE = Lutron Hi-lume 1% EcoSystem, 120-277V
- L3DOE = Lutron Hi-lume Premier 0.1% EcoSystem, 120-277V
- EL96 = eldoLED 24V, 0.1% 0-10V Dimming
- DALI = eldoLED DALI (DT6), 0.1% dimming (120-277V)
- DMX = eldoLED 24V, 0.1% DMX Dimming
- D2DT6 = DALI-2 (DT6), 0.1% dimming (120-277V)
- D2DT8 = DALI-2 (DT8), 0.1% dimming (120-277V) [TW only]

### Lens

- OD = Satin opal diffuser (standard)
- MPL = Micro-prismatic lens

### Finish

- W = White, 15% gloss, RAL 9010 (standard)
- F = Custom finish, specify RAL

### Options

- AWNRF = Lutron Athena Wireless Node RF (specify with D010, EL96, DALI, D2DT6 or D2DT8)
- BT = Wireless CAS – Casambi (specify with D010, EL96, DALI, DMX, D2DT6 or D2DT8)
- EM = Emergency LED driver (remote)

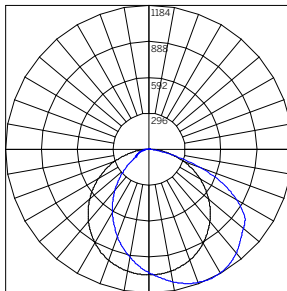
1 See pattern specs sheet.  
2 Wattage shown does not include power supplies/drivers.  
3 See photometric data sheet for delivered lumens.  
4 See power supply page for details.

# 20 Linear Mini Z Cove

## WG-20MZC-...-OD-W<sup>1</sup> Delivered Lumens Per Foot

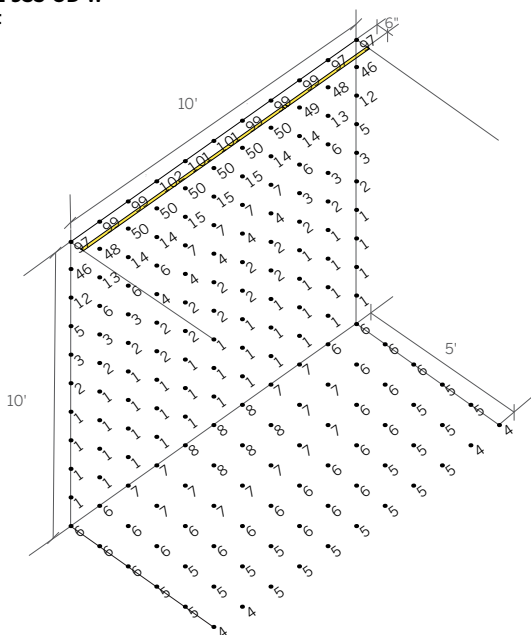
		Power			
		L [3 W/ft]	M [6 W/ft]	H [10 W/ft]	RGBW [7.6 W/ft]
CCT	927	174	348	609	-
	930	190	379	662	-
	935	225	450	787	-
	940	267	534	935	-
	WD <sup>2</sup>	133	277	400	-
	RGBW <sup>3</sup>	-	-	-	226
UGR <sup>4</sup>		27.2	29.7	31.5	-

		Power			
		P0 [1.5 W/ft]	P1 [3 W/ft]	P2 [6 W/ft]	P3 [10 W/ft]
CCT	TW1840 <sup>4</sup>	165	323	598	921
CCT	TW2765 <sup>4</sup>	165	315	590	921

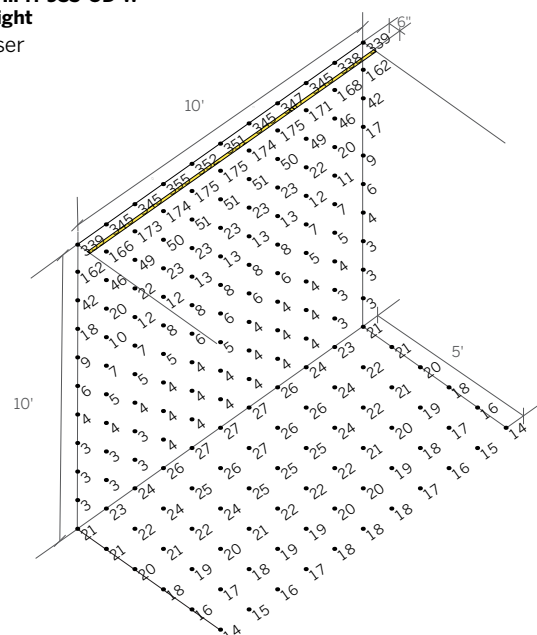


BEAM ANGLE (0-180) = 81.8  
BEAM ANGLE (90-270) = 116.3

## WG-20MZC-...-S-...-L-935-OD-W 10'-0" ceiling height Satin opal diffuser



## WG-20MZC-...-S-...-H-935-OD-W 10'-0" ceiling height Satin opal diffuser



Power Multiplier				
	L [3 W/ft]	M [6 W/ft]	H [10 W/ft]	RGBW [7.6 W/ft]
9XX/RGBW	0.29	0.57	1.00	0.29
WD	0.17	0.35	0.51	-

Power Multiplier				
	P0 [1.5 W/ft]	P1 [3 W/ft]	P2 [6 W/ft]	P3 [10 W/ft]
TW1840	0.21	0.41	0.76	1.17
TW2765	0.21	0.40	0.75	1.17

CCT Multiplier				
	927	930	935	940
	0.77	0.84	1.00	1.19

Surface reflectances:

80% Ceiling

50% Wall

20% Floor

Illuminance points are spaced 1'-0" on center.

Illuminance values are shown in units of foot-candles.

- 1 Polar Plot is applicable to part number noted; use Multiplication Factor table to approximate other models or refer to online photometry.
- 2 WD lumen data at maximum output (3000K).
- 3 RGBW lumen data at maximum output with 3000K White LED.
- 4 TW lumen data at maximum output (4000K and 6500K, respectively). TW1840 produces approx. 40% less lumens at 1800K; TW2765 produces approx. 5% less lumens at 2700K.

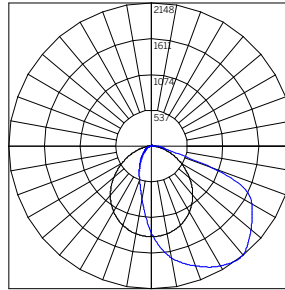
# 20 Linear Mini Z Cove

## WG-20MZC-...-MPL-W<sup>1</sup> Delivered Lumens Per Foot

		Power			
		L [3 W/ft]	M [6 W/ft]	H [10 W/ft]	RGBW [7.6 W/ft]
CCT	927	248	495	867	-
	930	270	539	942	-
	935	320	640	1120	-
	940	380	760	1331	-
	WD <sup>2</sup>	190	394	570	-
	RGBW <sup>3</sup>	-	-	-	322
UGR <sup>4</sup>		29.0	31.6	33.4	-

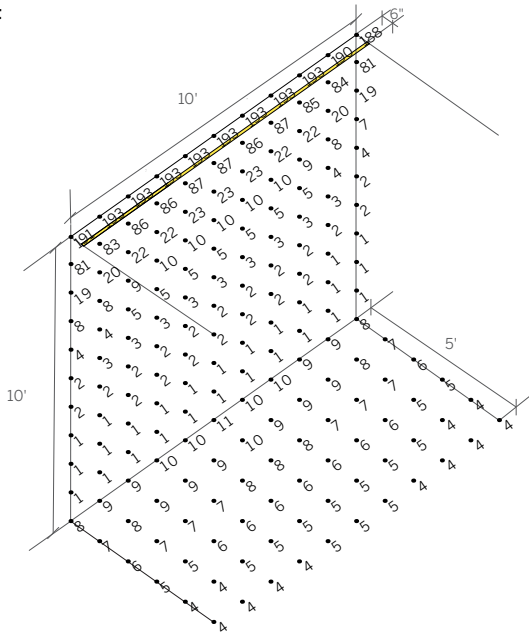
  

		Power			
		P0 [1.5 W/ft]	P1 [3 W/ft]	P2 [6 W/ft]	P3 [10 W/ft]
CCT	TW1840 <sup>4</sup>	235	459	851	1310
	TW2765 <sup>4</sup>	235	448	840	1310

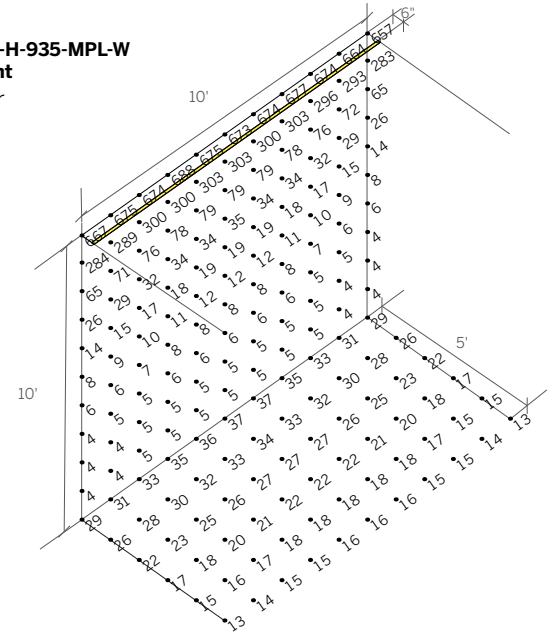


BEAM ANGLE (0-180) = 62.4  
BEAM ANGLE (90-270) = 106.6

## WG-20MZC-...-S-...-L-935-MPL-W 10'-0" ceiling height Satin opal diffuser



## WG-20MZC-...-S-...-H-935-MPL-W 10'-0" ceiling height Satin opal diffuser



Power Multiplier				
	L [3 W/ft]	M [6 W/ft]	H [10 W/ft]	RGBW [7.6 W/ft]
9XX/RGBW	0.29	0.57	1.00	0.29
WD	0.17	0.35	0.51	-

Power Multiplier				
	P0 [1.5 W/ft]	P1 [3 W/ft]	P2 [6 W/ft]	P3 [10 W/ft]
TW1840	0.21	0.41	0.76	1.17
TW2765	0.21	0.40	0.75	1.17

CCT Multiplier				
	927	930	935	940
	0.77	0.84	1.00	1.19

Surface reflectances:

80% Ceiling

50% Wall

20% Floor

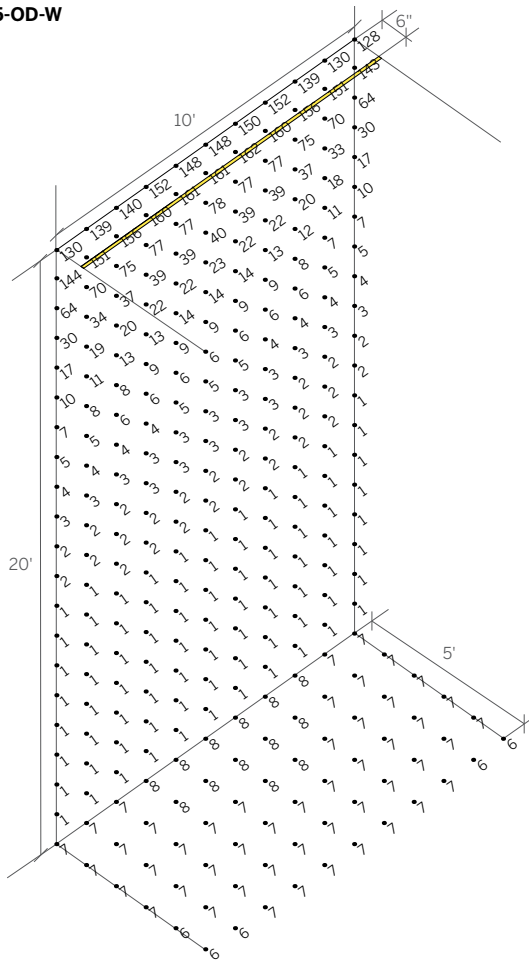
Illuminance points are spaced 1'-0" on center.

Illuminance values are shown in units of foot-candles.

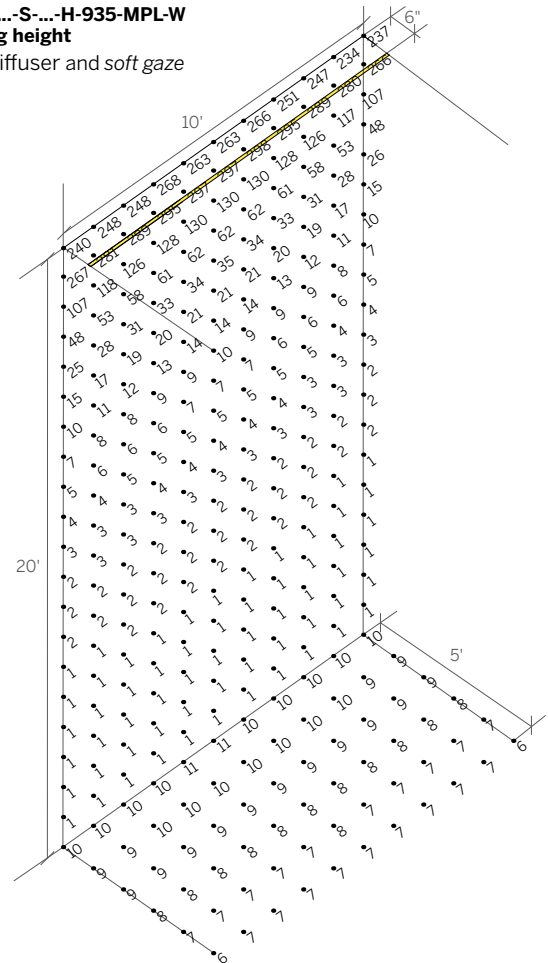
- 1 Polar Plot is applicable to part number noted; use Multiplication Factor table to approximate other models or refer to online photometry.
- 2 WD lumen data at maximum output (3000K).
- 3 RGBW lumen data at maximum output with 3000K White LED.
- 4 TW lumen data at maximum output (4000K and 6500K, respectively). TW1840 produces approx. 40% less lumens at 1800K; TW2765 produces approx. 5% less lumens at 2700K.

# 20 Linear Mini Z Cove

**WG-20MZC-...-S-...-H-935-OD-W**  
**20'-0" ceiling height**  
 Satin opal diffuser



**WG-20MZC-...-S-...-H-935-MPL-W**  
**20'-0" ceiling height**  
 Satin opal diffuser and soft gaze



Surface reflectances:

80% Ceiling

50% Wall

20% Floor

Illuminance points are spaced 1'-0" on center.

Illuminance values are shown in units of foot-candles.