

20 Linear Wash Light Suspended



Miniature Suspended Wash Light for even illumination of walls. Mounts via power suspensions to any surface with a low voltage canopy.

Housing	Precision extruded aluminum for true dimensions and tolerances All low voltage connections are made in the housing Luminaire snaps into the housing without tools Finishes: white, black, silver and custom
Integration	Suspension from any surface
Distribution	Even wash of light
LED	Constant Voltage, 90+ CRI, 3 Steps MacAdam, 3W - 10W per foot L70 lifetime (TM21 Projected 85C) Static White (2700K-4000K) = 60,000 hours Warm Dim (1800K-3000K) = 36,000 hours
Lens	OD - Opal Diffuser provides even, continuous line of light and general illumination MPL - Micro-prismatic lens provides lower brightness, general illumination
Driver	Remote driver Compatible with quality constant voltage drivers
Connectivity	Lutron Athena Wireless Node RF Casambi BlueTooth
Weight	1lbs per foot
Operating Temp	Suitable for operation in maximum ambient temperature of 35C (95F)
Warranty	5-year Limited (see complete company warranty information)
Certifications	ETL and ETL-C for dry and damp location, CE
Voltages	24V Fixture / 120-277VAC Driver (remote)

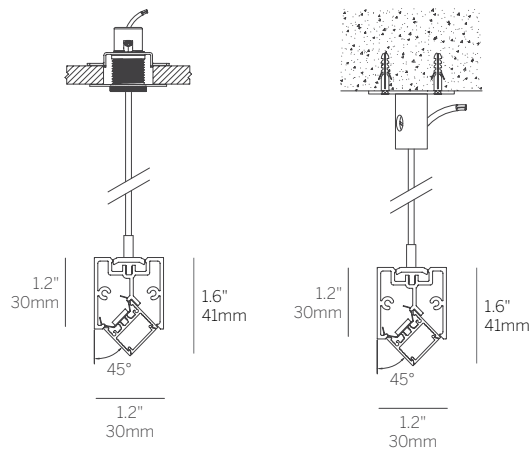
Lenses/Accessories



Opal Diffuser (OD)
Micro-prismatic Lens (MPL)



Suspended (S)



Gypsum Ceiling

Solid Ceiling



Power Feed

20 Linear Wash Light Suspended

Model	Fixation	Pattern	Length	Power ²	CRI/ CCT ³	Driver ⁴	Lens	Finish	Options
WG-20LWW	S48 (std) S96	S PI ¹ PO ¹	A A x B A x B x C A x B x A x B	L M H	927 930 935 940 WD	X S D010 DPH L3DAE L3DOE EL96 DALI	OD (std) MPL	W (std) B S F	AWNRF BT 5C EM

Model

- WG-20LWW = 20 Linear Wash Light Suspended

Fixation

- S48 = 48" suspension cable standard, field-cuttable (standard)
- S96 = 96" suspension cable, field-cuttable (above 60" additional suspension added)

Pattern

- S = Straight run
- PI = Standard patterns 2, 3 or 4 sided with 90° inside corners on the same plane¹
- PO = Standard patterns 2, 3 or 4 sided with 90° outside corners on the same plane¹

Length

- A, B, C = specify inches to the nearest 0.25" (i.e. 72.25")
For patterns specify each length (i.e. 2 sided: A x B = 72.25" x 48"; 3 sided: A x B x C; 4 sided: A x B x A x B)

Power²

- L = 3W/ft low power (WD 2.7 W/ft) (24V)
- M = 6W/ft mid power (WD 5.5 W/ft) (24V)
- H = 10W/ft high power (WD 8 W/ft) (24V)

CRI/CCT (90+ CRI)³

- 927 = 2700K
- 930 = 3000K
- 935 = 3500K
- 940 = 4000K
- WD = Warm Dimming (1800K - 3000K)

Driver (remote)⁴

- X = No driver, ordered separately
- S = Standard, non-dim driver 120-277V
- D010 = eldoLED, 10%, 0-10V dimming, 120-277V
- DPH = Phase Dimming, 1% dimming, 120V only
- L3DAE = Lutron Hi-lume 1% EcoSystem, 120-277V
- L3DOE = Lutron Hi-lume Premier 0.1% EcoSystem, 120-277V
- EL96 = eldoLED, 24V, 0.1% 0-10V Dimming
- DALI = eldoLED DALI (DT6), 0.1% dimming (120-277V)

Lens

- OD = Satin opal diffuser (standard)
- MPL = Micro-prismatic lens

Finish

- W = White, 15% gloss, RAL 9010 (standard)
- B = Black, 15% gloss, RAL 9005
- S = Silver, 15% gloss, RAL 9006
- F = Custom finished trim, specify RAL

Options

- AWNRF = Lutron Athena Wireless Node RF (specify with D010, EL96 or DALI)
- BT = Wireless CAS - Casambi (specify with D010, EL96 or DALI)
- 5C = 5" canopy (use with 4" Jbox)
- EM = Emergency (remote)

Whitegoods reserves the right to change any information without prior notice.

Notes

- See pattern spec sheet.
- Wattage shown is for LED boards only, system wattage varies depending on driver selected.
- Refer to specsheet for delivered lumen data for all product configurations.
- Remote power supply required. See power supply page for details.