

20 Linear Wash Light Suspended



inter•lux



Contents

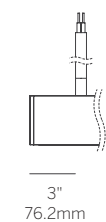
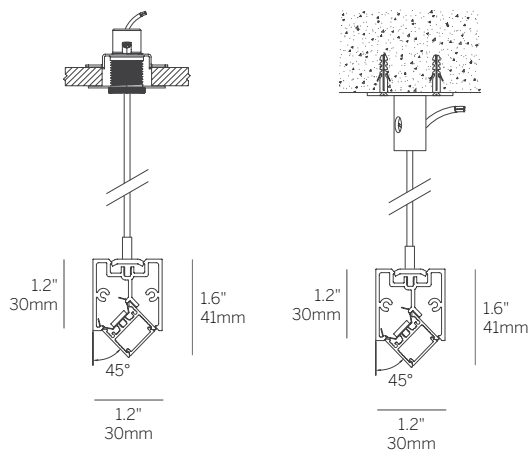
- 1 overview
- 2 specifications / configurator
- 3 photometry



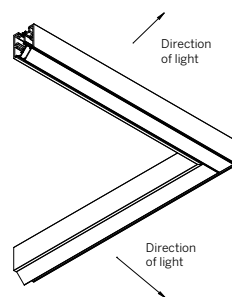
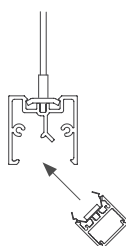
**Miniature Suspended Wash Light for even illumination of walls.
Mounts via power suspensions to any surface with a low voltage canopy.**

QS Quick Ship Available

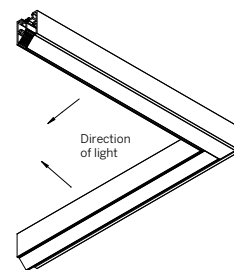
- Suspended wash light with minimal housing for continuous mounting to any desired length (1/4" increments).
- Multiple lens options for diffuse, high efficiency and low brightness.
- Extruded aluminum housing, easily installed. Field maintainable and upgradeable LED and driver without upsetting the ceiling.
- Efficacy up to 80 lumens per watt (delivered) @ 3000K, see photometry page for details.
- 90+ CRI, 3 Step MacAdam (Static White).
- L70 (TM21 Projected 85C) Static White 60,000 hours, WD 36,000 hours.
- ETL and ETL-C for dry and damp locations.
- Lengths and angles factory-cut to exact field dimensions. Standard and custom corners.
- Supplied with 4' class 2 plenum rated feed cable per fixture length.
- Powdercoat painted.



Power Feed



Pattern Inside (PI)



Pattern Outside (PO)

Minimum Angle 30°
Maximum Angle 180°

20 Linear Wash Light Suspended

Ordering Information									
Model	Fixation	Pattern	Length	Power ²	CRI/CCT ³	Driver ⁴	Lens	Finish	Options
WG-20LWW	S48 (std) S96	S PI ¹ PO ¹	A A x B A x B x C A x B x A x B	L M H	927 930 935 940 WD	X S D010 DPH L3DAE L3DOE EL96 DALI	OD (std) MPL	W (std) B S F	AWNRF BT 5C EM

Model

- WG-20LWW = 20 Linear Wash Light Suspended

Fixation

- S48 = 48" suspension cable standard, field-cutable (standard)
- S96 = 96" suspension cable, field-cutable (above 60" additional suspension added)

Pattern

- S = Straight run
- PI = Standard patterns 2, 3 or 4 sided with 90° inside corners on the same plane¹
- PO = Standard patterns 2, 3 or 4 sided with 90° outside corners on the same plane¹

Length

- A, B, C = specify inches to the nearest 0.25" (i.e. 72.25")
For patterns specify each length (i.e. 2 sided: A x B = 72.25" x 48"; 3 sided: A x B x C; 4 sided: A x B x A x B)

Power²

- L = 3W/ft low power (WD 2.7 W/ft) (24V)
- M = 6W/ft mid power (WD 5.5 W/ft) (24V)
- H = 10W/ft high power (WD 8 W/ft) (24V)

CRI / CCT (90+ CRI minimum)³

- 927 = 2700K
- 930 = 3000K
- 935 = 3500K
- 940 = 4000K
- WD = Warm Dimming (1800K - 3000K)

Driver (remote)⁴

- X = No driver, ordered separately
- S = Standard, non-dim driver 120-277V
- D010 = eldoLED, 10%, 0-10V dimming, 120-277V
- DPH = Phase Dimming, 1% dimming, 120V only
- L3DAE = Lutron Hi-lume 1% EcoSystem, 120-277V
- L3DOE = Lutron Hi-lume Premier 0.1% EcoSystem, 120-277V
- EL96 = eldoLED, 24V, 0.1% 0-10V Dimming
- DALI = eldoLED DALI (DT6), 0.1% dimming (120-277V)

Lens

- OD = Satin opal diffuser (standard)
- MPL = Micro-prismatic lens

Finish

- W = White, 15% gloss, RAL 9010 (standard)
- B = Black, 15% gloss, RAL 9005
- S = Silver, 15% gloss, RAL 9006
- F = Custom finished trim, specify RAL

Options

- AWNRF = Lutron Athena Wireless Node RF (specify with D010, EL96 or DALI)
- BT = Wireless CAS - Casambi (specify with D010, EL96 or DALI)
- 5C = 5" canopy (use with 4" Jbox)
- EM = Emergency (remote)

- See pattern spec sheet.
- Wattage shown is for LED boards only, system wattage varies depending on driver selected.
- See photometric data sheet for delivered lumens.
- Remote power supply required. See power supply page for details.

Lenses/Accessories



Opal Diffuser (OD)
Micro-prismatic Lens (MPL)

20 Linear Wash Light Suspended

WG-20LWW-SX-...-OD-W¹

Delivered Lumens Per Foot

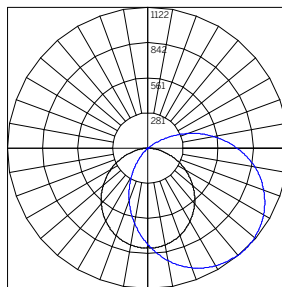
		Power			
		L [3 W/ft]	M [6 W/ft]	H [10 W/ft]	RGBW [7.6 W/ft]
CCT	927	183	366	641	-
	930	199	398	697	-
	935	236	473	828	-
	940	281	562	983	-
	WD ³	140	291	421	-
	RGBW ²	-	-	-	238
UGR ⁵		26.7	29.3	31.1	-

		Power			
		P0 [1.5 W/ft]	P1 [3 W/ft]	P2 [6 W/ft]	P3 [10 W/ft]
CCT	TW1840 ⁴	174	339	629	968
	TW2765 ⁴	174	331	621	968

Power Multiplier				
	L [3 W/ft]	M [6 W/ft]	H [10 W/ft]	RGBW [7.6 W/ft]
9XX/RGBW	0.29	0.57	1.00	0.29
WD	0.17	0.35	0.51	-

Power Multiplier				
	P0 [1.5 W/ft]	P1 [3 W/ft]	P2 [6 W/ft]	P3 [10 W/ft]
TW1840	0.21	0.41	0.76	1.17
TW2765	0.21	0.40	0.75	1.17

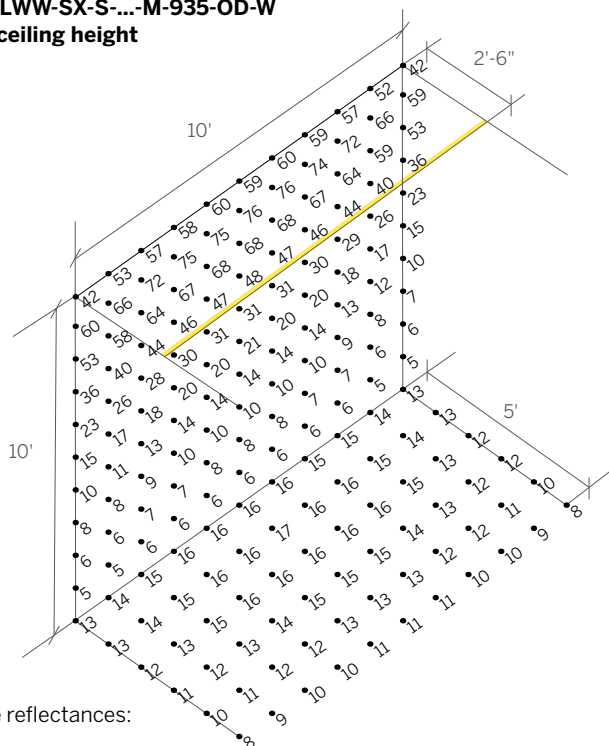
CCT Multiplier				
	927	930	935	940
	0.77	0.84	1.00	1.19



BEAM ANGLE (0-180) = 110.2
BEAM ANGLE (90-270) = 110.9

- 1 Polar Plot is applicable to part number noted; use Multiplier table(s) to approximate other Power / CCT options.
- 2 WD lumen data at maximum output (3000K).
- 3 RGBW lumen data at maximum output with 3000K White LED.
- 4 UGR value noted is the maximum UGR (crosswise) with 935 LEDs / 48" length.
- 5 TW lumen data at maximum output (4000K and 6500K, respectively). TW1840 produces approx. 40% less lumens at 1800K; TW2765 produces approx. 5% less lumens at 2700K.

WG-20LWW-SX-S-...-M-935-OD-W 10'-0" ceiling height

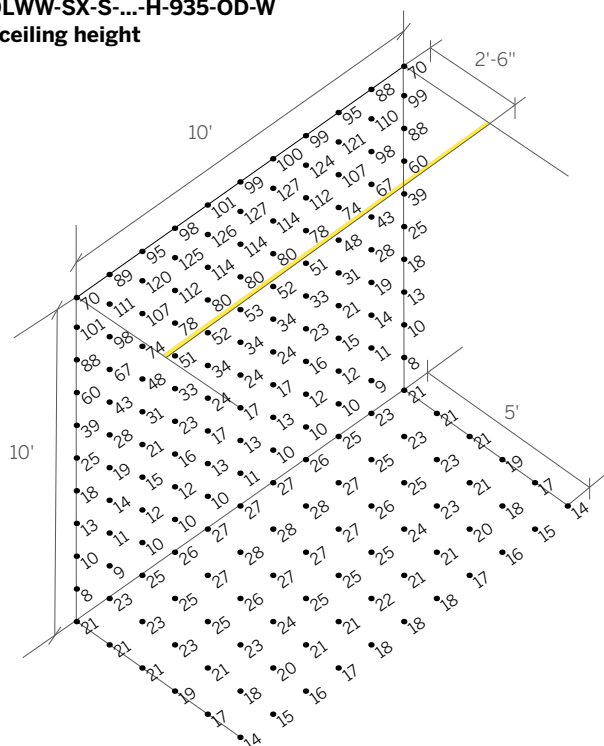


Surface reflectances:

80% Ceiling
50% Wall
20% Floor

Illuminance points are spaced 1'-0" on center.
Illuminance values are shown in units of foot-candles.

WG-20LWW-SX-S-...-H-935-OD-W 10'-0" ceiling height



20 Linear Wash Light Suspended

WG-20LWW-SX-...-MPL-W¹

Delivered Lumens Per Foot

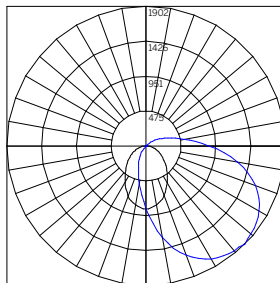
		Power			
		L [3 W/ft]	M [6 W/ft]	H [10 W/ft]	RGBW [7.6 W/ft]
CCT	927	209	418	732	-
	930	228	454	795	-
	935	270	540	945	-
	940	321	641	1123	-
	WD ²	160	332	481	-
	RGBW ³	-	-	-	272
UGR ⁴		26.7	29.3	31.1	-

		Power			
		P0 [1.5 W/ft]	P1 [3 W/ft]	P2 [6 W/ft]	P3 [10 W/ft]
CCT	TW1840 ⁵	198	387	718	1105
	TW2765 ⁵	198	378	709	1105

Power Multiplier				
	L [3 W/ft]	M [6 W/ft]	H [10 W/ft]	RGBW [7.6 W/ft]
9XX/RGBW	0.29	0.57	1.00	0.29
WD	0.17	0.35	0.51	-

Power Multiplier				
	P0 [1.5 W/ft]	P1 [3 W/ft]	P2 [6 W/ft]	P3 [10 W/ft]
TW1840	0.21	0.41	0.76	1.17
TW2765	0.21	0.40	0.75	1.17

CCT Multiplier				
	927	930	935	940
	0.77	0.84	1.00	1.19

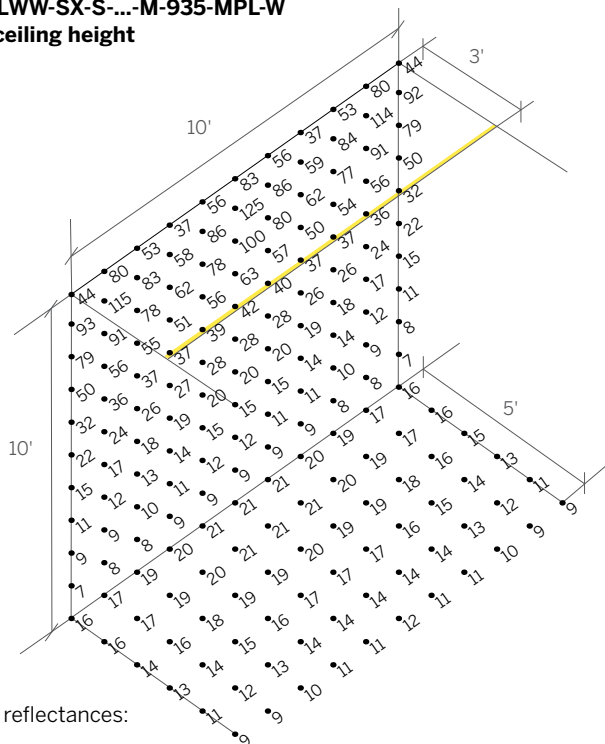


BEAM ANGLE (0-180) = 85.5
BEAM ANGLE (90-270) = 81.4

- 1 Polar Plot is applicable to part number noted; use Multiplier table(s) to approximate other Power / CCT options.
- 2 WD lumen data at maximum output (3000K).
- 3 RGBW lumen data at maximum output with 3000K White LED.
- 4 UGR value noted is the maximum UGR (crosswise) with 935 LEDs / 48" length.
- 5 TW lumen data at maximum output (4000K and 6500K, respectively). TW1840 produces approx. 40% less lumens at 1800K; TW2765 produces approx. 5% less lumens at 2700K.

WG-20LWW-SX-S-...-M-935-MPL-W

10'-0" ceiling height



Surface reflectances:

- 80% Ceiling
- 50% Wall
- 20% Floor

Illuminance points are spaced 1'-0" on center.
Illuminance values are shown in units of foot-candles.

WG-20LWW-SX-S-...-H-935-MPL-W

10'-0" ceiling height

