

20 Linear Suspended



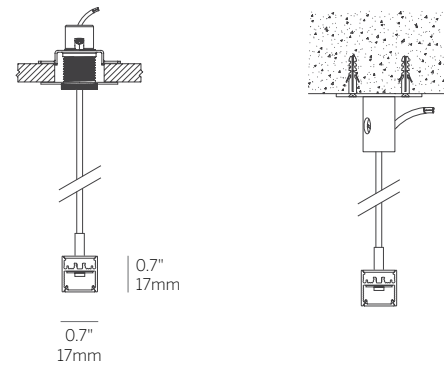
Miniature suspended downlight for general, accent and decorative lighting. Power suspensions with small ceiling canopies.

Housing	Precision extruded aluminum for true dimensions and tolerances Lengths from 12"-72" single luminaires Finishes: white, black, silver and custom
Integration	Suspension from any surface
Distribution	Multiple lenses and louvers for general, accent, decorative and grazing application
LED	Constant Voltage, 90+ CRI, 3 Steps MacAdam, 3W - 10W per foot L70 lifetime (TM21 Projected 85C) Static White (2700K-4000K) = 60,000 hours Warm Dim (1800K-3000K) = 36,000 hours
Lens	OD - Opal Diffuser provides even, continuous line of light and general illumination MPL - Micro-prismatic lens provides lower brightness, general illumination NL16 - Narrow Lens optic provides narrow beam for wall grazing applications LL45 - 45 degree Louver in white or black provides extreme low brightness BD - Block Diffuser of satin acrylic provides general illumination and decorative effect ROD - Round Opal Diffuser 0.8" diameter provides general illumination
Driver	Remote driver Compatible with quality constant voltage drivers
Connectivity	Lutron Athena Wireless Node RF Casambi BlueTooth
Weight	0.5lbs per foot
Operating Temp	Suitable for operation in maximum ambient temperature of 35C (95F)
Warranty	5-year Limited (see complete company warranty information)
Certifications	ETL and ETL-C for dry and damp location, CE
Voltages	24V Fixture / 120-277VAC Driver (remote)

Lenses/Accessories

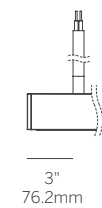


Suspended (S)



Gypsum /Tile Ceiling

Solid Ceiling



Power Feed

20 Linear Suspended

Model	Fixation	Pattern	Length	Power ¹	CRI/ CCT ²	Driver ³	Lens	Finish	Options
WG-20LDL	S48 (std) S96	S	A	L M H	927 930 935 940 WD	X S D010 DPH L3DAE L3DOE EL96 DALI	OD (std) MPL NL16 LL45B ⁴ LL45W ⁴ BDO ⁵ BDC ⁵ ROD ⁵	W (std) B S F	AWNRF BT 5C EM

Model

- WG-20LDL-S = 20 Linear Suspended

Fixation

- S48 = 48" suspension cable standard, field-cuttable (standard)
- S96 = 96" suspension cable, field-cuttable (above 60" additional suspension added)

Pattern

- S = Straight run (individual fixtures only, for other configurations see WG-20LDL)

Length

- A = specify inches to the nearest 0.25" (i.e. 71.75") (72" max length)

Power¹

- L = 3W/ft low power (WD 2.7 W/ft) (24V)
- M = 6W/ft mid power (WD 5.5 W/ft) (24V)
- H = 10W/ft high power (WD 8 W/ft) (24V)

CRI/CCT (90+ CRI)²

- 927 = 2700K
- 930 = 3000K
- 935 = 3500K
- 940 = 4000K
- WD = Warm Dimming (1800K - 3000K)

Driver (remote)³

- X = No driver, ordered separately
- S = Standard, non-dim driver 120-277V
- D010 = eldoLED, 10%, 0-10V dimming, 120-277V
- DPH = Phase Dimming, 1% dimming, 120V only
- L3DAE = Lutron Hi-lume 1% EcoSystem, 120-277V
- L3DOE = Lutron Hi-lume Premier 0.1% EcoSystem, 120-277V
- EL96 = eldoLED, 24V, 0.1% 0-10V Dimming
- DALI = eldoLED DALI (DT6), 0.1% dimming (120-277V)

Lens

- OD = Satin opal diffuser (standard)
- MPL = Micro-prismatic lens
- NL16 = Linear narrow lens, 16°
- LL45B = Linear louver black⁴
- LL45W = Linear louver white⁴
- BDO = Block Diffuser Opal⁵
- BDC = Block Diffuser Clear⁵
- ROD = Round opal diffuser⁵
- W = White, 15% gloss, RAL 9010 (standard)
- B = Black, 15% gloss, RAL 9005
- S = Silver, 15% gloss, RAL 9006
- F = Custom finished trim, specify RAL

Options

- AWNRF = Lutron Athena Wireless Node RF (specify with D010, EL96, or DALI)
- BT = Wireless CAS – Casambi (specify with D010, EL96, or DALI)
- 5C = 5" canopy (use with 4" Jbox)
- EM = Emergency (remote)

Whitegoods reserves the right to change any information without prior notice.

Notes

- Wattage shown is for LED boards only, system wattage varies depending on driver selected.
- Refer to specsheet for delivered lumen data for all product configurations.
- Remote power supply required. See power supply page for details.
- Louver available in 0.5" increments, straight runs only.
- Butt seam (lens) when in continuous run, straight runs only.