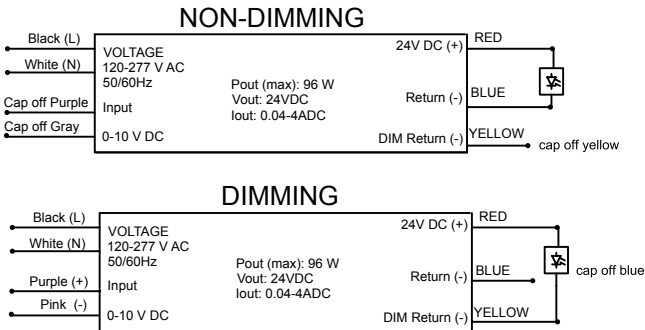


Flex - Constant Voltage driver information

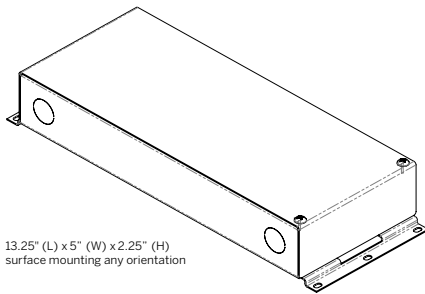
Please refer to driver manufacturer's website for current data sheets and wiring guidelines.

DO10 - eldoLED, Non-Dim or 10% 0-10V dimming, 120-277V [spec sheet](#)



Warning: if not connected to a 0-10V dimmer, driver **MUST** be wired as Non-dim. Not doing so can cause the driver and the fixtures to fail prematurely.

Dry Location Enclosure



Compatible/Recommended dimmers and interfaces*:

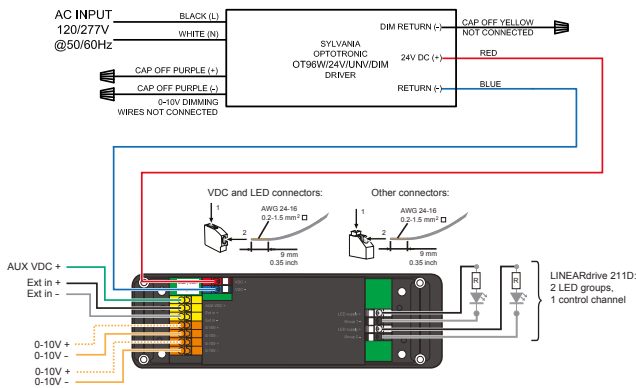
- Lutron Diva DVSTV (Wallbox dimmer)
- Lutron Nova T NTSTV (Wallbox dimmer)
- Lutron Maestro MS-Z101/MS-Z101-V (Wallbox dimmer/sensor)
- Lutron PowPak 0-10V RMJ-5T-DV-B (Energi Tripak)
- Lutron GRX-TVI (0-10V interface for Grafik QS and some commercial dimming panels)
- Lutron TVI-LMF-2A (EcoSystem to 0-10V interface)
- Lutron QSN-4T16-S (Energi Savr Node 0-10V)
- Lutron TVM2 module (HomeWorks and commercial dimming panels)

*Consult factory for any dimmer not listed

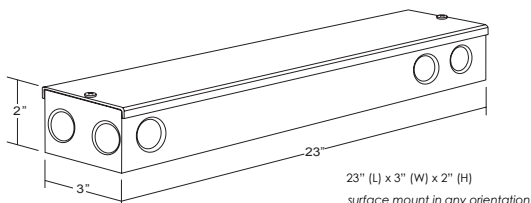
		Maximum wiring distance*		
		Load per driver		
		≤48W	≤72W	≤96W
Wire gauge	#18AWG	37 ft (11.3 m)	25 ft (7.6 m)	18 ft (5.5 m)
	#16AWG	59 ft (18 m)	39 ft (11.9 m)	29 ft (8.8 m)
	#14AWG	95 ft (29 m)	63 ft (19.2 m)	47 ft (14.3 m)
	#12AWG	151 ft (46 m)	101 ft (30.8 m)	75 ft (22.9 m)
	#10AWG	241 ft (73.5 m)	160 ft (48.8 m)	120 ft (36.6 m)

* Voltage drop guide for 24VDC. Actual Voltage drop to be calculated by installer.

EL96 = eldoLED, 24V, 1% 0-10V Dimming [Driver spec sheet](#) | [0-10V interface \(LIN211D\)](#)



Dry Location Enclosure



Compatible/Recommended dimmers and interfaces*:

- Lutron Diva DVSTV (Wallbox dimmer)
- Lutron Nova T NTSTV (Wallbox dimmer)
- Lutron Maestro MS-Z101/MS-Z101-V (Wallbox dimmer/sensor)
- Lutron PowPak 0-10V RMJ-5T-DV-B (Energi Tripak)
- Lutron GRX-TVI (0-10V interface for Grafik QS and some commercial dimming panels)
- Lutron TVI-LMF-2A (EcoSystem to 0-10V interface)
- Lutron QSN-4T16-S (Energi Savr Node 0-10V)
- Lutron TVM2 module (HomeWorks and commercial dimming panels)

*Consult factory for any dimmer not listed

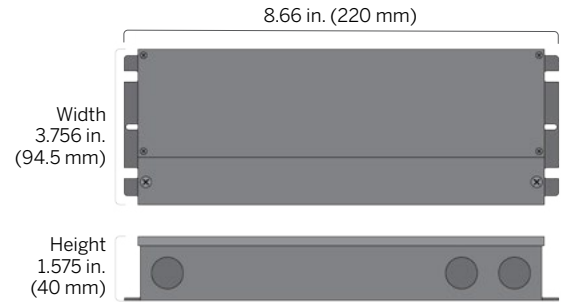
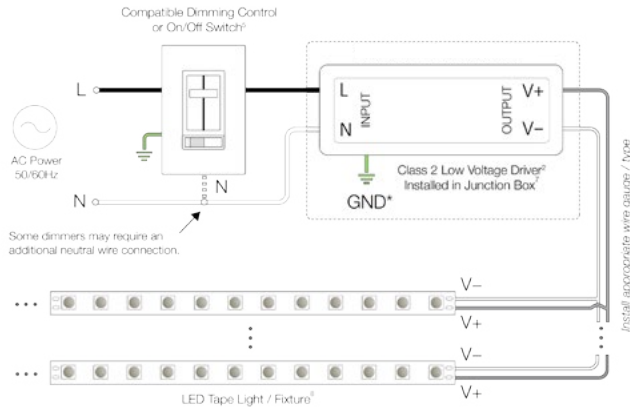
		Maximum wiring distance*		
		Load per driver		
		≤48W	≤72W	≤96W
Wire gauge	#18AWG	37 ft (11.3 m)	25 ft (7.6 m)	18 ft (5.5 m)
	#16AWG	59 ft (18 m)	39 ft (11.9 m)	29 ft (8.8 m)
	#14AWG	95 ft (29 m)	63 ft (19.2 m)	47 ft (14.3 m)
	#12AWG	151 ft (46 m)	101 ft (30.8 m)	75 ft (22.9 m)
	#10AWG	241 ft (73.5 m)	160 ft (48.8 m)	120 ft (36.6 m)

* Voltage drop guide for 24VDC. Actual Voltage drop to be calculated by installer.

Flex - Constant Voltage driver information

DPH = Phase Dimming, 1% dimming, 120V only [spec sheet](#)

Dry Location Enclosure

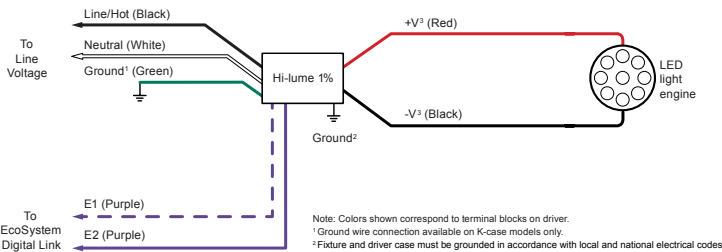


Compatible/Recommended dimmers and interfaces*:-

- LUTRON: Ariadni - AYLV-600P
- LUTRON: Homeworks QS - HQRD 6ND
- LUTRON: Radio RA2 - RRD-10ND
- LUTRON: Ariadni - AYCL-153P
- LUTRON: Maestro - MACL-153M
- LUTRON: Radio RA2 - RRD 6CL WH
- LUTRON: Caseta - PD-6WCL
- LUTRON: Maestro - MAELV-600
- LUTRON: Verti - VT-1000MN
- LUTRON: Caseta - PD-5NE
- LUTRON: Maestro - MRF2-6ND-120
- LEVITON: Decora - DSE06-10Z
- LUTRON: Caseta - PD-10NXD
- LUTRON: Maestro - MA-PRO
- LEVITON: Illumitech - IP10-LFZ
- LUTRON: Caseta - DVRF-6
- LUTRON: Nova T* CL - NTCL 250
- LEVITON: Decora Smart - DW6HD-1BZ
- LUTRON: Diva - DVELV-300P
- LUTRON: Nova T - NTLV-603P
- LEGRAND: Paddle - ADPD453LW2
- LUTRON: Diva - DVCL-153-P
- LUTRON: Nova T - NTFTV
- MISC.: Forbes & Lomax MLV - FLRLV603P
- LUTRON: Diva - DV600P
- LUTRON: Nova - NFTV
- MISC.: Forbes & Lomax INC/HAL - FLR603P
- LUTRON: Diva - 0-10V DVTV
- LUTRON: Homeworks - HWD 6ND WH

*Consult factory for any dimmer not listed

L3D0E = Lutron Hi-lume Premier 0.1% EcoSystem, 120-277V [spec sheet](#)

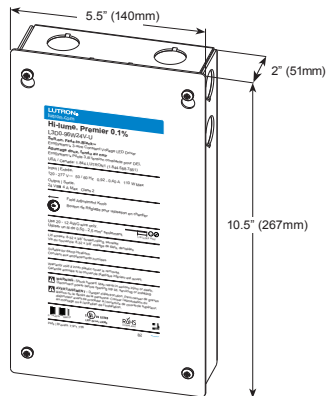


Drivers are programmed to Linear dimming curve by default. Compatible/Recommended dimmers and interfaces*:

- PowPak Dimming Module with EcoSystem
- Lutron Nova T NTSTV (Wallbox dimmer)
- Lutron Maestro MS-Z101/MS-Z101-V (Wallbox dimmer/sensor)
- Lutron PowPak 0-10V RMJ-5T-DV-B (Energi Tripak)
- Lutron GRX-TVI (0-10V interface for Grafik QS and some commercial dimming panels)
- Lutron TVI-LMF-2A (EcoSystem to 0-10V interface)
- Lutron QSN-4T16-S (Energi Savr Node 0-10V)
- Lutron TVM2 module (HomeWorks and commercial dimming panels)

*Consult factory for any dimmer not listed

Dry Location Enclosure

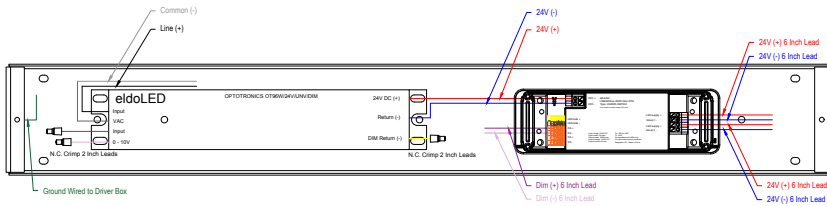


Wire gauge*	Maximum wiring distance*
24 AWG (0.20 mm ²) ³	6 ft (1.8 m)
22 AWG (0.34 mm ²) ³	10 ft (3.0 m)
20 AWG (0.50 mm ²)	15 ft (4.5 m)
18 AWG (0.75 mm ²)	25 ft (7.62 m)
16 AWG (1.0 mm ²)	40 ft (12.2 m)
14 AWG (1.5 mm ²)	60 ft (18.3 m)
12 AWG (2.5 mm ²)	100 ft (30.5 m)
10 AWG (4.0 mm ²) ³	150 ft (45.7 m)

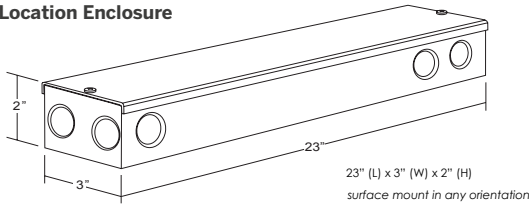
1 To use wire gauges larger or smaller than terminal blocks' rated gauge of 20 AWG to 12 AWG (0.50 mm² to 2.50 mm²), connect 12 in (30 cm) or less of rated wire from terminal and connect with larger or smaller wire.

Flex - Constant Voltage driver information

DALI-DT6 = eldoLED DALI-2 DT6 0.1% (120-277V) [for Static White LEDs] [Driver spec sheet](#) | [DALI-2 interface \(LIN200D-D2Z1D\)](#)



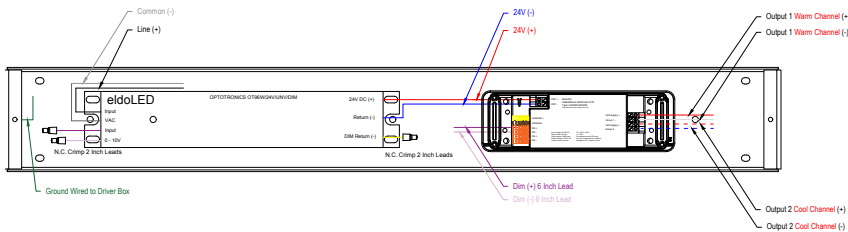
Dry Location Enclosure



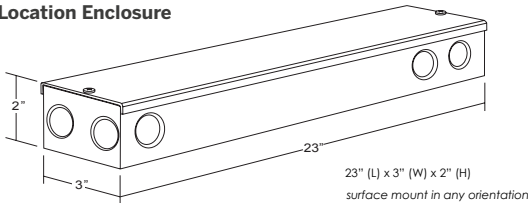
		Maximum wiring distance*		
		Load per driver		
		≤48W	≤72W	≤96W
Wire gauge	#18AWG	37 ft (11.3 m)	25 ft (7.6 m)	18 ft (5.5 m)
	#16AWG	59 ft (18 m)	39 ft (11.9 m)	29 ft (8.8 m)
	#14AWG	95 ft (29 m)	63 ft (19.2 m)	47 ft (14.3 m)
	#12AWG	151 ft (46 m)	101 ft (30.8 m)	75 ft (22.9 m)
	#10AWG	241 ft (73.5 m)	160 ft (48.8 m)	120 ft (36.6 m)

* Voltage drop guide for 24VDC. Actual Voltage drop to be calculated by installer.

DALI-DT8 = eldoLED DALI-2 DT6 0.1% (120-277V) [for Tunable White LEDs] [Driver spec sheet](#) | [DALI-2 interface \(LIN200D-D2Z2D\)](#)



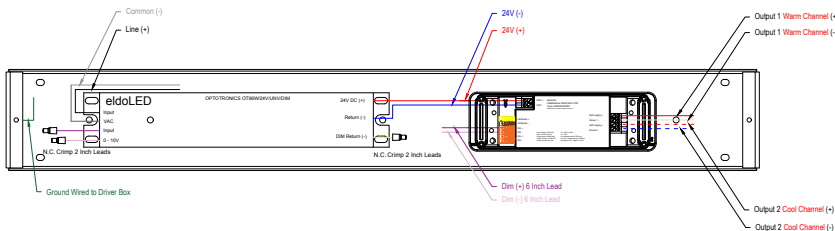
Dry Location Enclosure



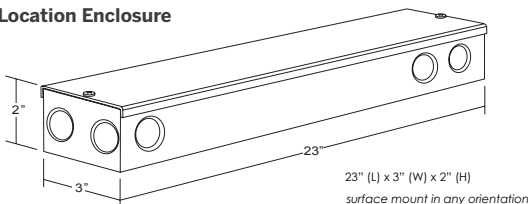
		Maximum wiring distance*		
		Load per driver		
		≤48W	≤72W	≤96W
Wire gauge	#18AWG	37 ft (11.3 m)	25 ft (7.6 m)	18 ft (5.5 m)
	#16AWG	59 ft (18 m)	39 ft (11.9 m)	29 ft (8.8 m)
	#14AWG	95 ft (29 m)	63 ft (19.2 m)	47 ft (14.3 m)
	#12AWG	151 ft (46 m)	101 ft (30.8 m)	75 ft (22.9 m)
	#10AWG	241 ft (73.5 m)	160 ft (48.8 m)	120 ft (36.6 m)

* Voltage drop guide for 24VDC. Actual Voltage drop to be calculated by installer.

DALI-DT8 = eldoLED DALI-2 D2DT8 0.1% (120-277V) [for TW Tunable White] [Driver spec sheet](#) | [DALI-2 interface \(LIN200D-D2Z2C\)](#)



Dry Location Enclosure



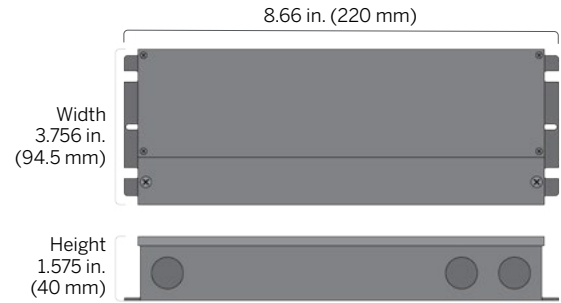
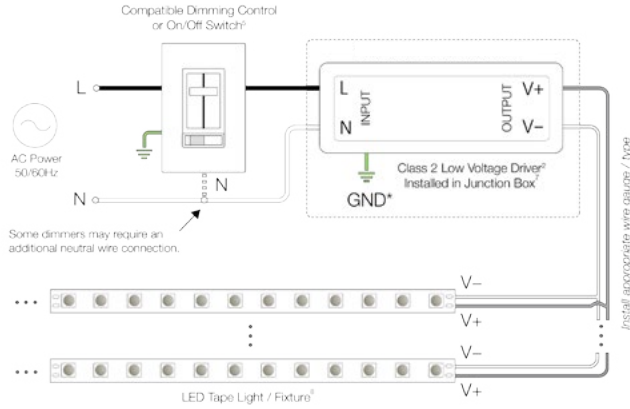
		Maximum wiring distance*		
		Load per driver		
		≤48W	≤72W	≤96W
Wire gauge	#18AWG	37 ft (11.3 m)	25 ft (7.6 m)	18 ft (5.5 m)
	#16AWG	59 ft (18 m)	39 ft (11.9 m)	29 ft (8.8 m)
	#14AWG	95 ft (29 m)	63 ft (19.2 m)	47 ft (14.3 m)
	#12AWG	151 ft (46 m)	101 ft (30.8 m)	75 ft (22.9 m)
	#10AWG	241 ft (73.5 m)	160 ft (48.8 m)	120 ft (36.6 m)

* Voltage drop guide for 24VDC. Actual Voltage drop to be calculated by installer.

Flex - Constant Voltage driver information

UNV96-WL = Phase Dimming, 1% dimming, 120V only [spec sheet](#)

Wet Location Enclosure

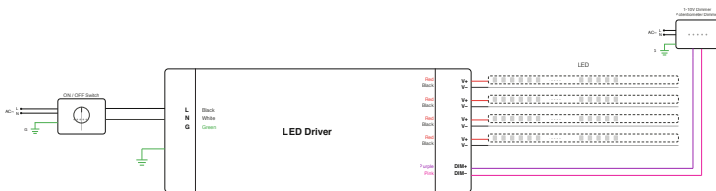


Compatible/Recommended dimmers and interfaces*:-

- LUTRON: Ariadni - AYLV-600P
- LUTRON: Homeworks QS - HQRD 6ND
- LUTRON: Radio RA2 - RRD-10ND
- LUTRON: Ariadni - AYCL-153P
- LUTRON: Maestro - MACL-153M
- LUTRON: Radio RA2 - RRD 6CL WH
- LUTRON: Caseta - PD-6WCL
- LUTRON: Maestro - MAELV-600
- LUTRON: Verti - VT-1000MN
- LUTRON: Caseta - PD-5NE
- LUTRON: Maestro - MRF2-6ND-120
- LEVITON: Decora - DSE06-10Z
- LUTRON: Caseta - PD-10NXD
- LUTRON: Maestro - MA-PRO
- LEVITON: Illumitech - IP10-LFZ
- LUTRON: Caseta - DVRF-6
- LUTRON: Nova T* CL - NTCL 250
- LEVITON: Decora Smart - DW6HD-1BZ
- LUTRON: Diva - DVCLV-300P
- LUTRON: Nova T - NTLV-603P
- LEGRAND: Paddle - ADPD453LW2
- LUTRON: Diva - DVCL-153-P
- LUTRON: Nova T - NTFTV
- MISC.: Forbes & Lomax MLV - FLRLV603P
- LUTRON: Diva - DV600P
- LUTRON: Nova - NFTV
- MISC.: Forbes & Lomax INC/HAL - FLR603P
- LUTRON: Diva - 0-10V DVTV
- LUTRON: Homeworks - HWD 6ND WH

*Consult factory for any dimmer not listed

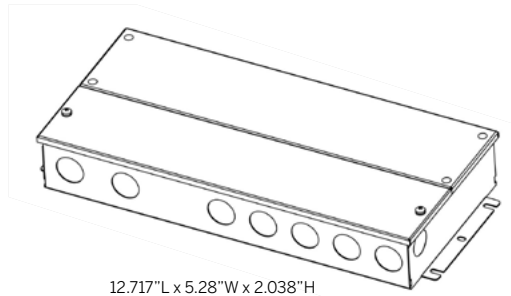
UNV384-WL = 0-10V / Phase Dim 384W Wet Location, 1% dimming, 120-277V [Driver spec sheet](#)



		Maximum wiring distance*		
		Load per driver		
		≤48W	≤72W	≤96W
Wire gauge	#18AWG	37 ft (11.3 m)	25 ft (7.6 m)	18 ft (5.5 m)
	#16AWG	59 ft (18 m)	39 ft (11.9 m)	29 ft (8.8 m)
	#14AWG	95 ft (29 m)	63 ft (19.2 m)	47 ft (14.3 m)
	#12AWG	151 ft (46 m)	101 ft (30.8 m)	75 ft (22.9 m)
	#10AWG	241 ft (73.5 m)	160 ft (48.8 m)	120 ft (36.6 m)

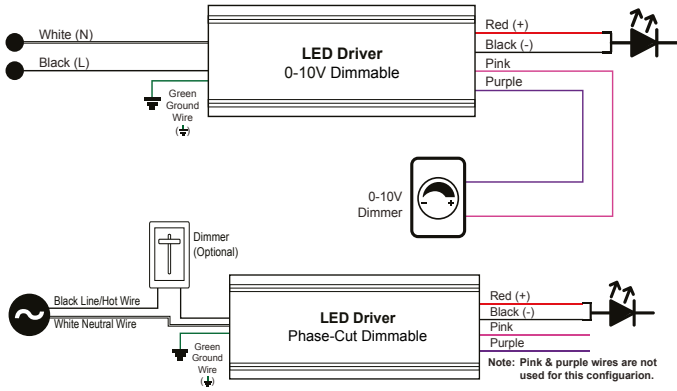
* Voltage drop guide for 24VDC. Actual Voltage drop to be calculated by installer.

Wet Location Enclosure



Flex - Constant Voltage driver information

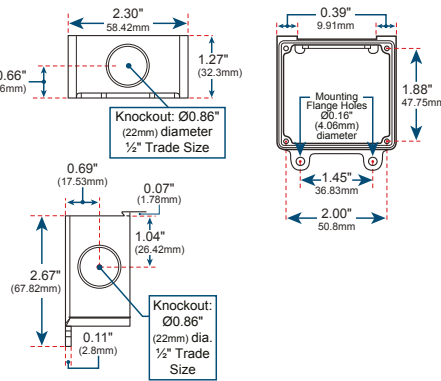
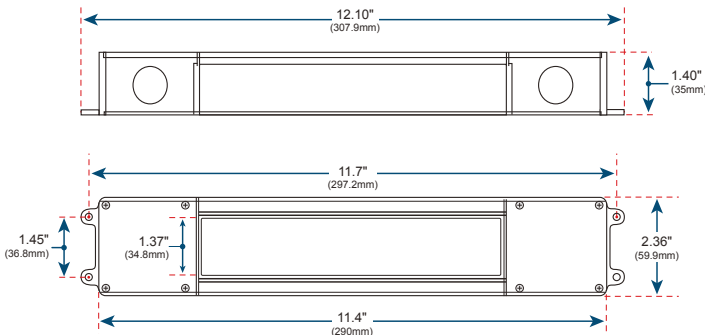
MAGSDM96-WD = 0-10V / Phase Dim 96W, 0.1% CCR Dimming for Warm Dim, 120-277V (Phase - 120V only) [Driver spec sheet](#)



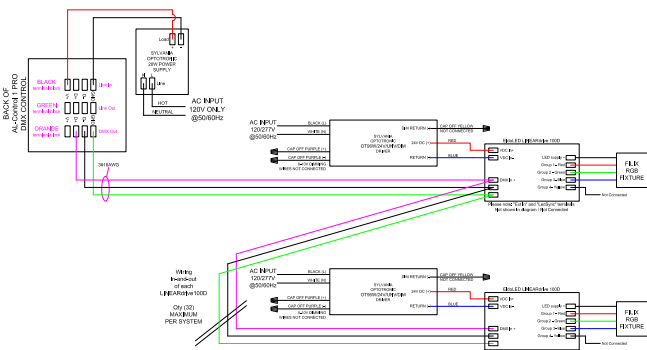
Maximum wiring distance*				
Load per driver				
≤48W				
≤72W				
≤96W				
Wire gauge	#18AWG	37 ft (11.3 m)	25 ft (7.6 m)	18 ft (5.5 m)
	#16AWG	59 ft (18 m)	39 ft (11.9 m)	29 ft (8.8 m)
	#14AWG	95 ft (29 m)	63 ft (19.2 m)	47 ft (14.3 m)
	#12AWG	151 ft (46 m)	101 ft (30.8 m)	75 ft (22.9 m)
	#10AWG	241 ft (73.5 m)	160 ft (48.8 m)	120 ft (36.6 m)

* Voltage drop guide for 24VDC. Actual Voltage drop to be calculated by installer.

Wet Location Enclosure



DMX = eldoLED, 24V, 0.1% DMX Dimming [Driver spec sheet](#) | [DMX interface \(LIN180D\)](#)



Maximum wiring distance*				
Load per driver				
≤48W				
≤72W				
≤96W				
Wire gauge	#18AWG	37 ft (11.3 m)	25 ft (7.6 m)	18 ft (5.5 m)
	#16AWG	59 ft (18 m)	39 ft (11.9 m)	29 ft (8.8 m)
	#14AWG	95 ft (29 m)	63 ft (19.2 m)	47 ft (14.3 m)
	#12AWG	151 ft (46 m)	101 ft (30.8 m)	75 ft (22.9 m)
	#10AWG	241 ft (73.5 m)	160 ft (48.8 m)	120 ft (36.6 m)

* Voltage drop guide for 24VDC. Actual Voltage drop to be calculated by installer.

Dry Location Enclosure

