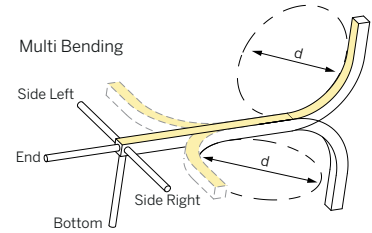
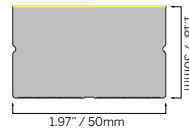


FLEX 50X30 MULTI

1.97x1.18"



STATIC WHITE



SPECIFICATION	
MATERIAL	Silicone
MOUNTING	Surface
IP RATING	IP67, IP20
BINNING	3 Step
LIFETIME (L70)	50,000hrs based on LM-80 & TM-21 applicable test data
DRIVER REQUIREMENT	24VDC Constant voltage
PROTECTION	UV, flame, salt and chlorine resistant
WARRANTY	5 Years

DRIVERS **STATIC WHITE - HIGH OUTPUT (CRI >90 Ra)**
 SPECIFICATION (MINIMUM BEND DIAMETER >31.5" / 800mm in both planes)

DRIVER OPTIONS (See driver page for details)	
D010 = eldoLED, 10%, 0-10V dimming, 120-277V	DALI-DT6 = eldoLED DALI (DT6), 0.1% dimming, 120-277V
EL96 = eldoLED 24V, 0.1% 0-10V dimming, 120-277V	UNV96-WL = 0-10V / Phase Dim 96W Wet Location, 1% dimming, 120-277V
DPH = Phase Dimming, 1% dimming, 120V only	
L3D0E = Lutron Hi-lume Premier 0.1% EcoSystem, 120-277V	UNV384-WL = 0-10V / Phase Dim 384W Wet Location, 1% dimming, 120-277V

Cut Interval	DELIVERED LUMENS lm/ft						
	1800K	2400K	2700K	3000K	3500K	4000K	6000K
S15 71.4 mm (2.8")	189	247	274	290	296	298	301

ACCESSORIES ORDERING INFORMATION

MODEL	JACKET	CCT	LED TYPE	CABLE ENTRY	IP RATING	CABLE LENGTH	LENGTH	DRIVERS
63S5030HOM Flex 50x30 Multi High Output	1 White	C18 1800K	S15 15 W/m (5m max.) 4.6 W/ft (16.4ft max.)	E End B Bottom SL Side Left SR Side Right	7 IP67 2 IP20	003 0.3m (1ft)	.XXXX Length in inches	D010 EL96 DPH L3D0E DALI-DT6 UNV96-WL UNV384-WL
		C24 2400K				010 1m (3.3ft)		
		C27 2700K				030 3m (9.8ft)		
		C30 3000K				050 5m (16.4ft)		
		C35 3500K				100 10m (32.8ft)		
		C40 4000K						
C60 6000K								
63S5030HOM	1		S15					

FLEX 50X30 MULTI

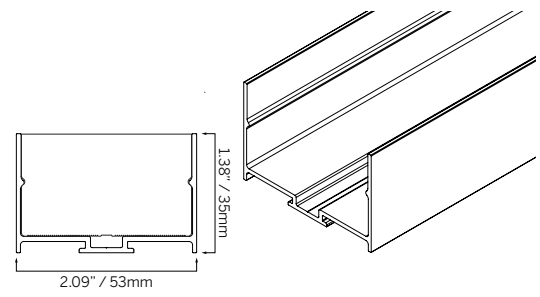
1.97x1.18"

STATIC
WHITE

ACCESSORIES

TYPE Aluminum Profile
MOUNTING Surface mount

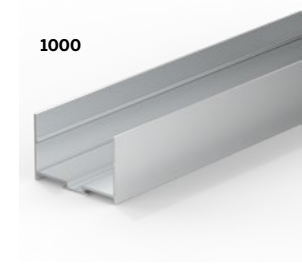
ORDERING INFORMATION		
MODEL	FINISH	LENGTH
635030X	5AP Silver	0030 30mm (1.18") 1000 1000mm (39.37")
635030X	5AP	



30



1000



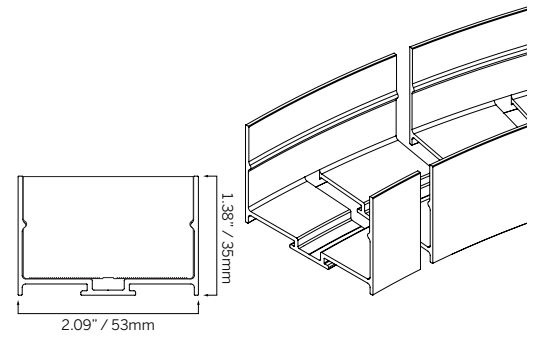
DRIVERS

IES
FILES

ACCESSORIES

TYPE Aluminum Profile Bendable
MOUNTING Surface mount

ORDERING INFORMATION		
MODEL	FINISH	LENGTH
635030X	5APB Silver	1000 1000mm (39.37")
635030X	5APB	1000



TYPE Stainless Profile Bendable
MOUNTING Surface mount

ORDERING INFORMATION		
MODEL	FINISH	LENGTH
63S1010X	5SC Silver	1000 1000mm (39.37")
63S1010X	5SC	1000

