



BUZZER Q

A

CC

BZQ-QBOxx-QE-16-12-CC
6.5"x3"x15.8"H 11.5W@700mA

BZQ-QBOxx-SE-16-5-CC
6.5"x3"x15.8"H 5W@350mA

B

CC

BZQ-QBOxx-QE-28-12-CC
6.5"x3"x27.6"H 11.5W@700mA

BZQ-QBOxx-SE-28-5-CC
6.5"x3"x27.6"H 5W@350mA

C

CC

BZQ-QBOxx-QE-41-12-CC
6.5"x3"x41.3"H 11.5W@700mA

BZQ-QBOxx-SE-41-5-CC
6.5"x3"x41.3"H 5W@350mA

QE | 360° Quad Emission

SE | 180° Single Emission



WARNING:

INSTALL PRODUCT IN ACCORDANCE WITH LOCAL AND NATIONAL ELECTRICAL CODES BY A QUALIFIED ELECTRICIAN



WARNING:

FAILURE TO COMPLY WITH THE INSTALLATION INSTRUCTIONS MAY RESULT IN DEATH OR SEVERE INJURY.



WARNING:

READ ALL SAFETY INSTRUCTIONS INCLUDED WITH LUMINAIRE BEFORE INSTALLING LUMINAIRE. SAVE INSTRUCTIONS FOR FUTURE USE.

CAUTION:

THIS IS AN ELECTRONIC DEVICE. CARE MUST BE TAKEN DURING STORAGE AND HANDLING. STORE IN A CLEAN, COOL AND DRY LOCATION. ELECTROSTATIC DISCHARGE (ESD) CAN HARM THIS PRODUCT. AVOID STATIC DISCHARGE WHILE HANDLING THIS PRODUCT.

CAUTION:

INTER-LUX IS NOT RESPONSIBLE FOR THE STRUCTURAL INTEGRITY OF THE BUILDING TO SUPPORT THE LUMINAIRE. ADDITIONAL BACKING MAY BE REQUIRED.

LOCATE AND REVIEW ANY CONSTRUCTION PLANS AND INTER-LUX RECORD DRAWINGS FOR ALL FIXTURE RUNS. IT IS RECOMMENDED TO LOCARE AND LAY OUT ALL COMPONENTS FOR EACH FIXTURE "RUN". A FIXTURE RUN TYPICALLY CONSISTS OF JOINERS, LENGTHS OF HOUSING, AND ENDCAPS. BE SURE TO IDENTIFY ALL CORRECT LENGTHS FOR EACH FIXTURE RUN.

THIS PRODUCT MUST BE INSTALLED IN ACCORDANCE WITH THE APPLICABLE INSTALLATION CODE BY A PERSON FAMILIAR WITH THE CONSTRUCTION AND OPERATION OF THE PRODUCT AND THE HAZARDS INVOLVED

MOUNTING INSTRUCTIONS

READ ALL OF THESE INSTRUCTIONS BEFORE INSTALLING FIXTURES

- **CAUTION: USE ONLY WITH CLASS 2 POWER UNIT**
- Keep all of the instructions for future reference
- Turn off power before installing fixture
- Installation is to be performed by a qualified electrician only
- All installations must conform to the National Electrical Code as well as all local jurisdictional codes and regulations
- Any modification of the luminaire will void any and all written or implied warranties
- The manufacture accepts no responsibility for damage to persons or property arising through improper use or installation

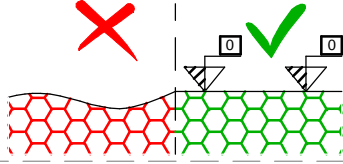


BUZZER Q

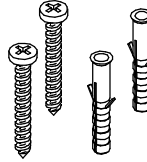


NOT INCLUDED ACCESSORIES

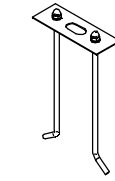
MAKE SURE THE OUTER CASING OR THE LIGHT FITTING ARE PLACED ON A FLAT SURFACE



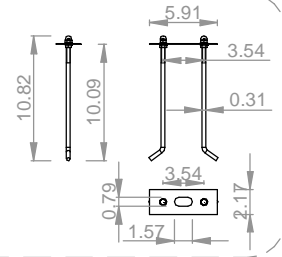
ANCHORS
SCREWS



TIE RODS

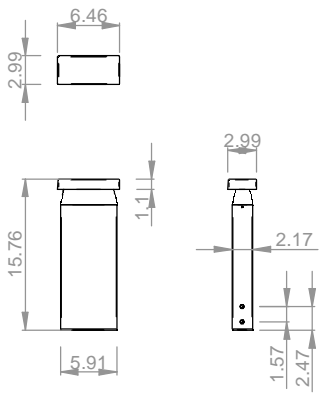


W-F900004

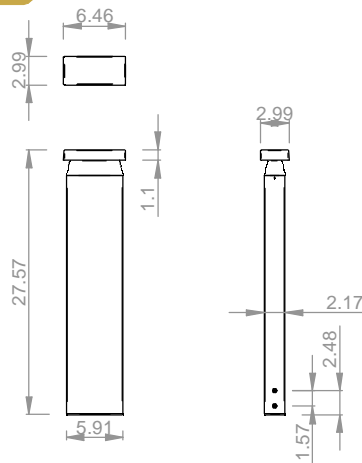


DIMENSIONS

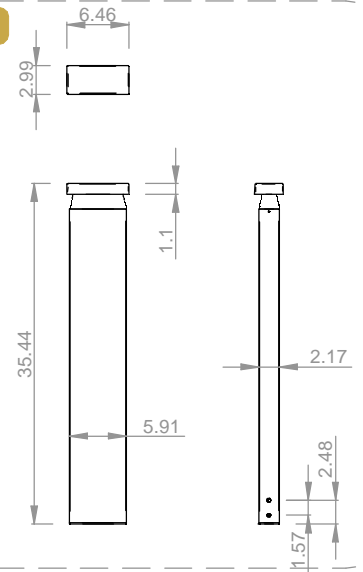
A



B



C



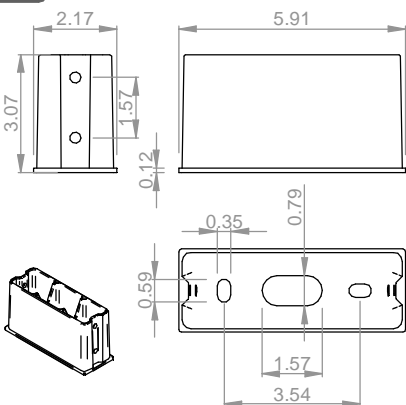
PRE-INSTALLATION

A

B

C

1.A

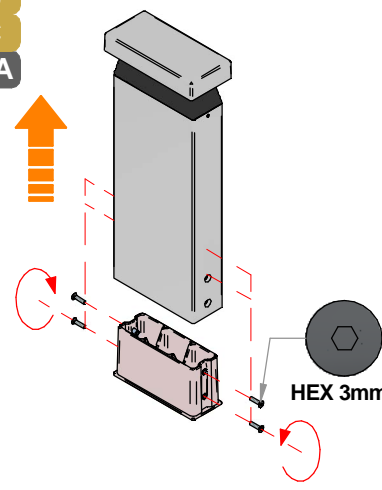


A

B

C

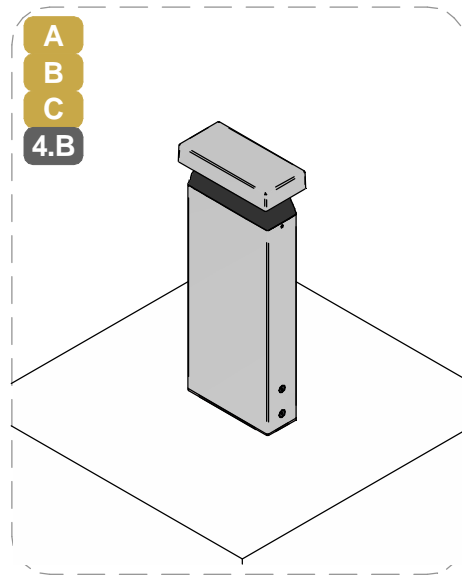
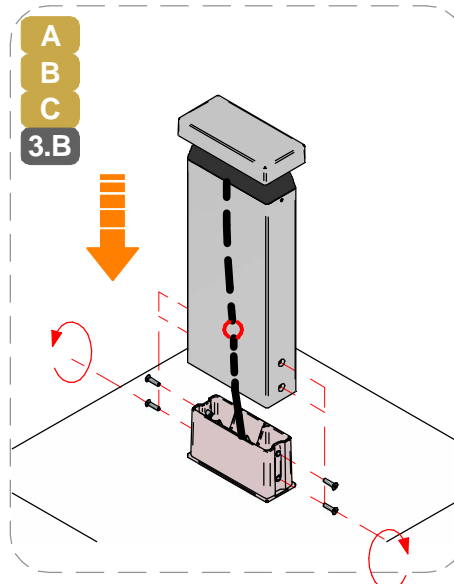
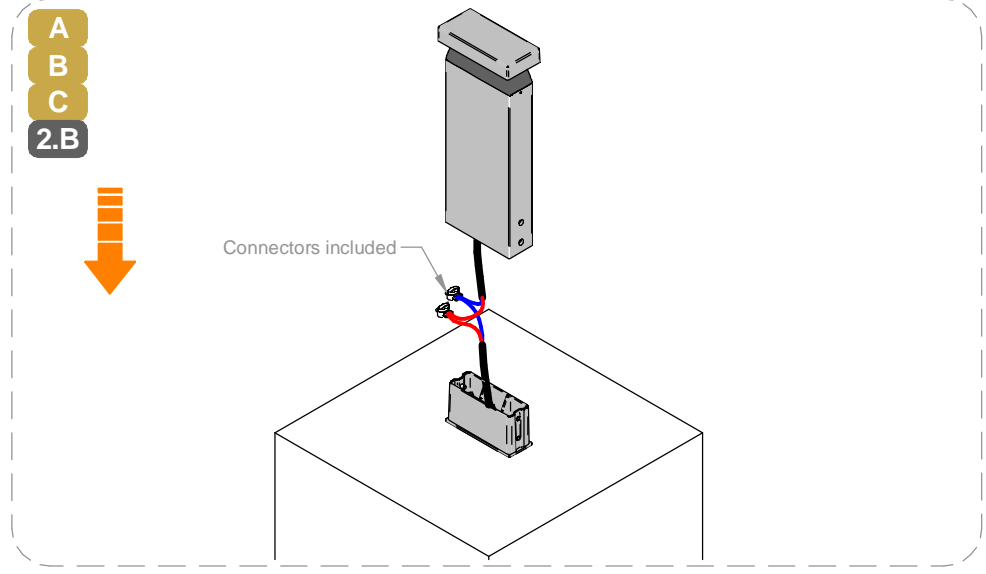
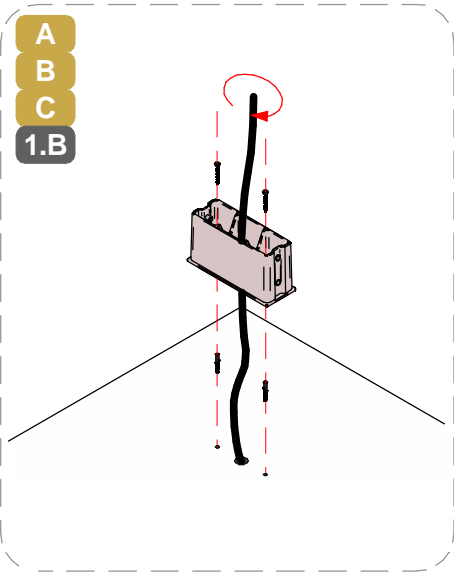
2.A



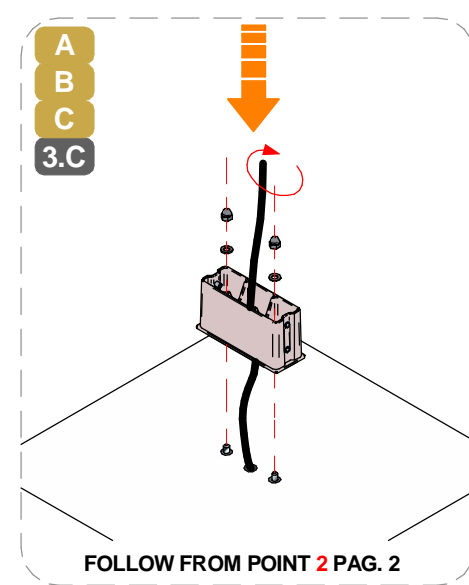
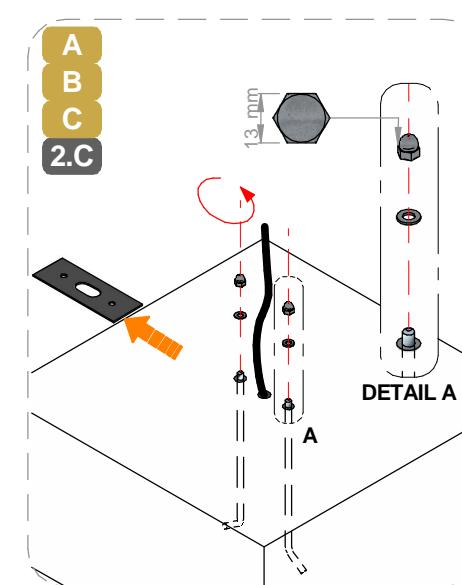
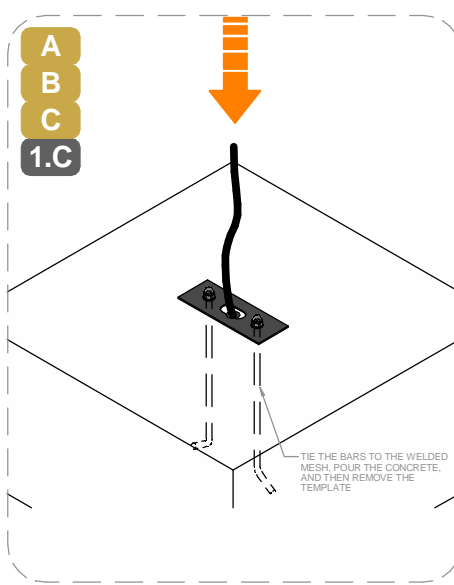


BUZZER Q

INSTALLATION



TIE RODS INSTALLATION W-F900004

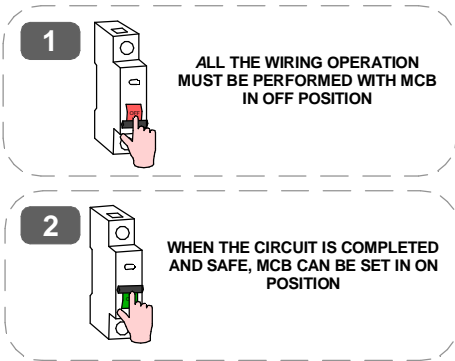




BUZZER Q



WIRING



TYPE OF CONNECTION

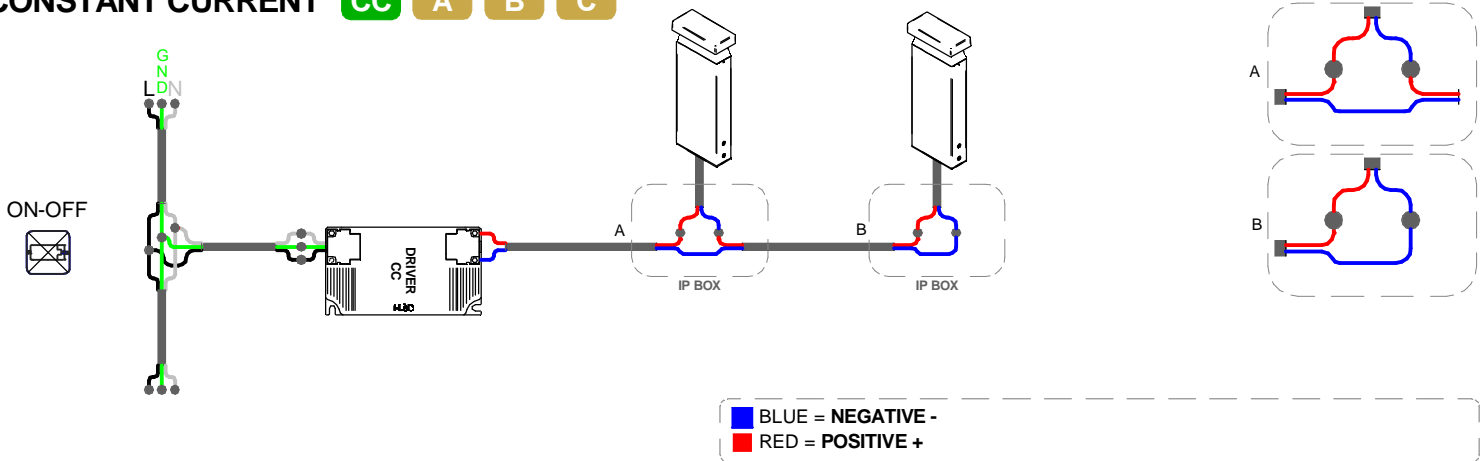
X: If the external flexible cable of this appliance is damaged, it must be replaced with a special cable, which is only available from the manufacturer or its service department.

Y: If the external flexible cable of this appliance is damaged, it must only be replaced by the manufacturer, its service department or equivalent qualified personell in order to avoid danger.

Z: The external flexible cable fo this appliance cannot be replaced; if the cable is damaged, the appliance must be destroyed.

To reduce the risk of strangulation, the flexible cable connected to the device must be securely fixed to the wall if it is located within the accessible area.

CONSTANT CURRENT **CC** **A** **B** **C**



The number of fixtures on a single output will vary depending on the specific LED driver. Refer to the specific wiring diagram on <https://www.inter-lux.com/wiring-diagrams/> and the Constant Current Fixtures per driver table.

Buzzer_Q Drive current level for each fixture:
 QE 11W fixture, driven @ 700mA
 SE 5W fixture, driven @ 350mA

QE (Quad Emission) 11W Driver options:

ECO30W-700: Max. 2 fixtures wired in series per driver
 SOLO50W-700: Max. 2 fixtures per driver (2 on one output, wired in series, or 2 home-run)
 SOLO100W-700: Max. 4 fixtures per driver (2 on two outputs, wired in series, or 4 home-run)

SE (Single Emission) 5W Driver options:

ECO30W-350: Max. 3 fixtures wired in series per driver
 SOLO50W-350: Max. 6 fixtures per driver (3 per output, wired in series)
 SOLO100W-350: Max. 12 fixtures per driver (3 per output, wired in series)