



## Contents

- 2 product configurator diagrams
- 3 photometry



Ø7.5" (21W)

**General:** Buzzer Pro is part of a comprehensive family of bollards, path markers and wall fixtures designed for the most various applications, from pedestrian walkaways to public parks, commercial buildings and residential areas.

With no up-light component (Dark skies compliant), two distributions (180° and 360°) and multiple sizes available, Buzzer Pro can easily fit into every design.

Buzzer Pro's special optic design provides no shadows at the bottom of the fixture, making the ground evenly illuminated.

**Fixture Body:** Marine Grade. Open pore Anodized and Powder Coated Die-Cast Aluminum.

**Diffuser:** UV Resistant Polycarbonate.

**Mounting:** Standard Mounting Base (Provided with fixture). Ground peg available upon request.

**Dimensions/Weight:** 15.75" (7.8 lbs) – 27.56" (10.76 lbs) – 35.43" (12.74 lbs).

**Driver:** Integral, 120-277V Dimmable 0-10V.

**Wattages:** 20.5W (All Sizes).

**Cable:** Fixture comes with 11.8" of power cable.

**Safety features:** Fixture is equipped with Electrostatic discharge protection and Surge Protection (1 KV).

**IP rating:** IP65 for protection against dust and moderate water jets from any angle.

**IK rating:** IK 09

**ETL Certification:** ETL, wet location

**Optics:** Fixed, with asymmetric (180°) or round (360°) Light Emission.

**Color temperatures:** 2200K – 2700K – 3000K – 4000K.

**CRI:** 80+

**BUG Rating:** B0-U0-G0 (Dark Sky Compliant)

**Lumen Maintenance:** L70 projections tested at Tj 65° C and Ta 25°.

**Warranty:** 5-year Limited Warranty on fixtures. 1-year Limited Warranty on Remote Drivers.

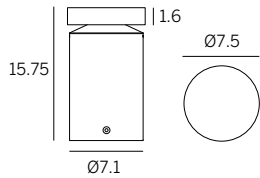
Delivered Lumens*	Ø7.5" [21 - ID]
RE	781
AE	218

\*Values shown for 3000K

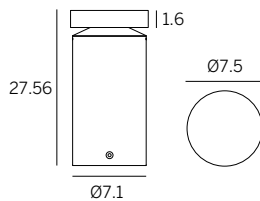
## Mounting Accessories

Product	Trim	Type	Diameter	Wattage/Operation	Color Temp	Optic	+	Mounting Accessories (optional)
BZP = Buzzer Pro	RBOBG = Round Bollard, Black Grey RBOGR = Round Bollard, Grey RBODB = Round Bollard, Dark Brown	RE = Round Emission AE = Asymmetric Emission	8x16 = Ø7.5" X 15.75"H 8x28 = Ø7.5" X 27.56"H 8x35 = Ø7.5" X 35.43"H	21 ID = 20.5W / Integral Driver (0-10V dim)	22 = 2200K 27 = 2700K 30 = 3000K 35 = 3500K 40 = 4000K	GE = General Emission		W-F900002 (anchor bolts)

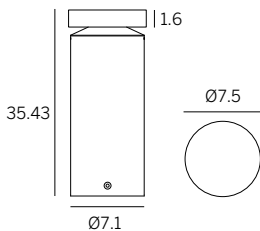
### Ø7.5" x 15.75"H 21W ID



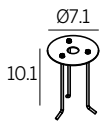
### Ø7.5" x 27.56"H 21W ID



### Ø7.5" x 35.43"H 21W ID



## Mounting Accessories

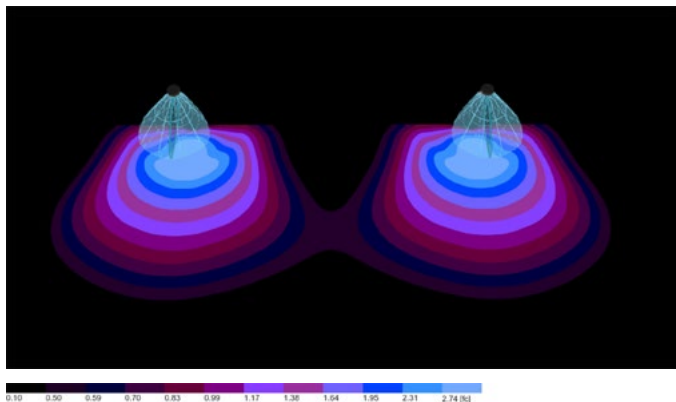
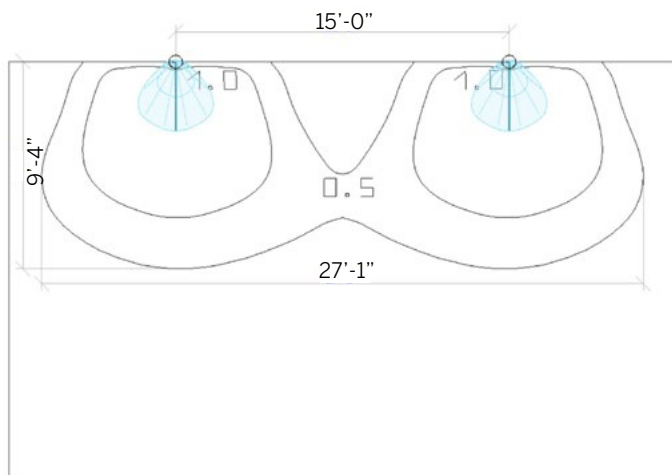


W-F900002  
(anchor bolts)

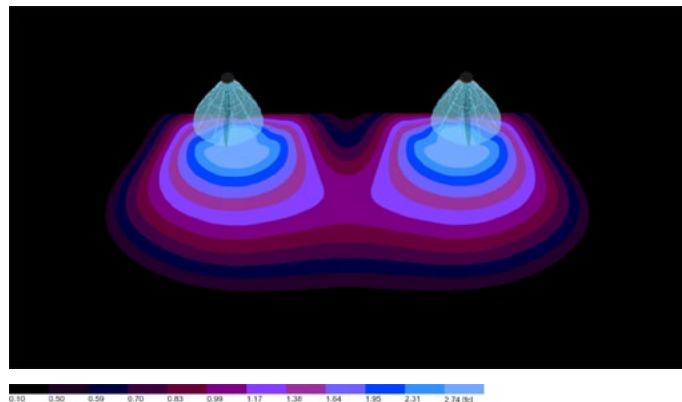
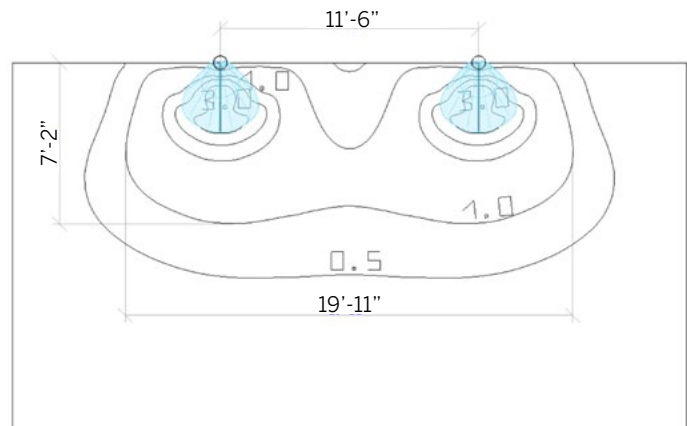
BZP-RBOBG-AE-8X35-21-ID-30-GE



0.5fc



1fc



BZP-RBOBG-RE-8X35-21-ID-30-GE



0.5fc

1fc

