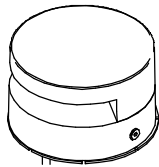
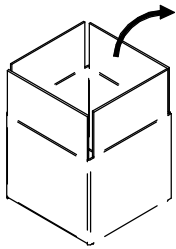
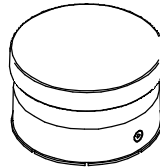
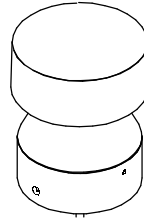
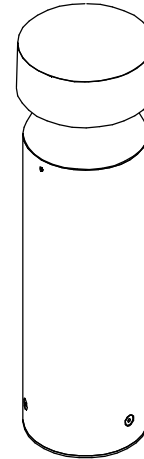
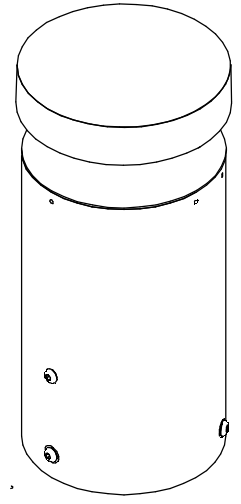


**BUZZER PRO****RE | 360° Round Emission****AE | 180° Asymmetric Emission****A****CC****BZP-RBOxx-****AE-5x3-7-CC**5.4"Øx3.0"H
7.2W@200mA**B****CC****RE-5x3-7-CC**5.4"Øx3.1"H
7.2W@200mA**C****CC****(RE/AE)-5x6-7-CC**4.7"Øx5.7"H
6.5W@350mA**D****CC****(RE/AE)-3x16-7-CC**
(RE/AE)-3x28-7-CC
(RE/AE)-3x35-7-CC2.8"Øx15.75"H
2.8"Øx27.6"H
2.8"Øx35.4"H
6.5W@350mA**E****ID****(RE/AE)-5x16-11-ID**
(RE/AE)-5x28-11-ID
(RE/AE)-5x36-11-ID4.7"Øx16.1"H
4.7"Øx28"H
4.7"Øx35.8"H
11W
Integral 120/277V
0-10V dimming**F****ID****(RE/AE)-8x16-21-ID**
(RE/AE)-8x28-21-ID
(RE/AE)-8x35-21-ID7.5"Øx15.8"H
7.5"Øx27.6"H
7.5"Øx35.4"H
21W
Integral 120/277V
0-10V dimming**WARNING:**

INSTALL PRODUCT IN ACCORDANCE WITH LOCAL AND NATIONAL ELECTRICAL CODES BY A QUALIFIED ELECTRICIAN

**WARNING:**

FAILURE TO COMPLY WITH THE INSTALLATION INSTRUCTIONS MAY RESULT IN DEATH OR SEVERE INJURY.

**WARNING:**

READ ALL SAFETY INSTRUCTIONS INCLUDED WITH LUMINAIRE BEFORE INSTALLING LUMINAIRE. SAVE INSTRUCTIONS FOR FUTURE USE.

CAUTION:

THIS IS AN ELECTRONIC DEVICE. CARE MUST BE TAKEN DURING STORAGE AND HANDLING. STORE IN A CLEAN, COOL AND DRY LOCATION. ELECTROSTATIC DISCHARGE (ESD) CAN HARM THIS PRODUCT. AVOID STATIC DISCHARGE WHILE HANDLING THIS PRODUCT.

CAUTION:

INTER-LUX IS NOT RESPONSIBLE FOR THE STRUCTURAL INTEGRITY OF THE BUILDING TO SUPPORT THE LUMINAIRE. ADDITIONAL BACKING MAY BE REQUIRED.

LOCATE AND REVIEW ANY CONSTRUCTION PLANS AND INTER-LUX RECORD DRAWINGS FOR ALL FIXTURE RUNS. IT IS RECOMMENDED TO LOCATE AND LAY OUT ALL COMPONENTS FOR EACH FIXTURE "RUN". A FIXTURE RUN TYPICALLY CONSISTS OF JOINERS, LENGTHS OF HOUSING, AND ENDCAPS. BE SURE TO IDENTIFY ALL CORRECT LENGTHS FOR EACH FIXTURE RUN.

THIS PRODUCT MUST BE INSTALLED IN ACCORDANCE WITH THE APPLICABLE INSTALLATION CODE BY A PERSON FAMILIAR WITH THE CONSTRUCTION AND OPERATION OF THE PRODUCT AND THE HAZARDS INVOLVED**MOUNTING INSTRUCTIONS****READ ALL OF THESE INSTRUCTIONS BEFORE INSTALLING FIXTURES**

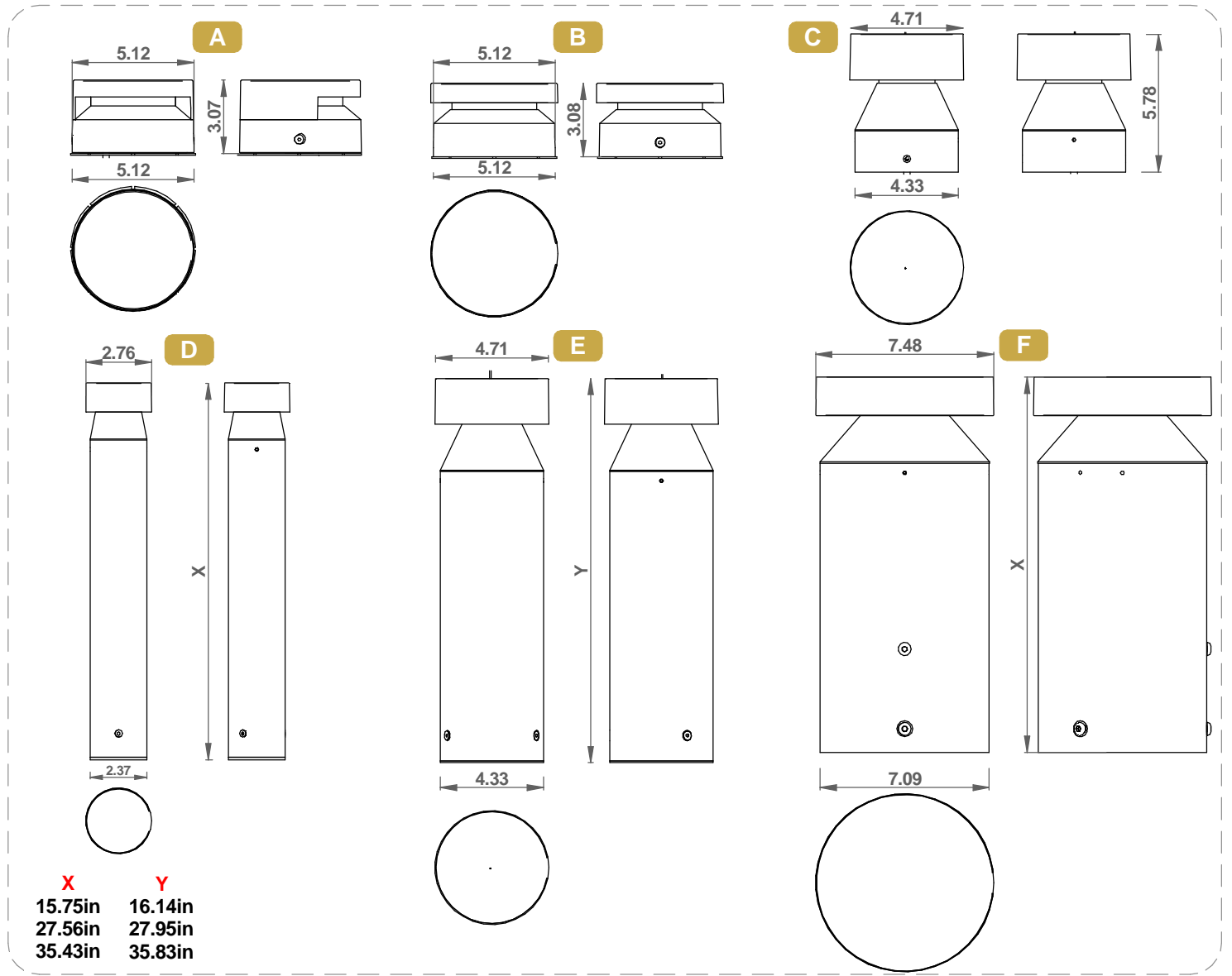
- **CAUTION: USE ONLY WITH CLASS 2 POWER UNIT**
- Keep all of the instructions for future reference
- Turn off power before installing fixture
- Installation is to be performed by a qualified electrician only
- All installations must conform to the National Electrical Code as well as all local jurisdictional codes and regulations
- Any modification of the luminaire will void any and all written or implied warranties
- The manufacture accepts no responsibility for damage to persons or property arising through improper use or installation



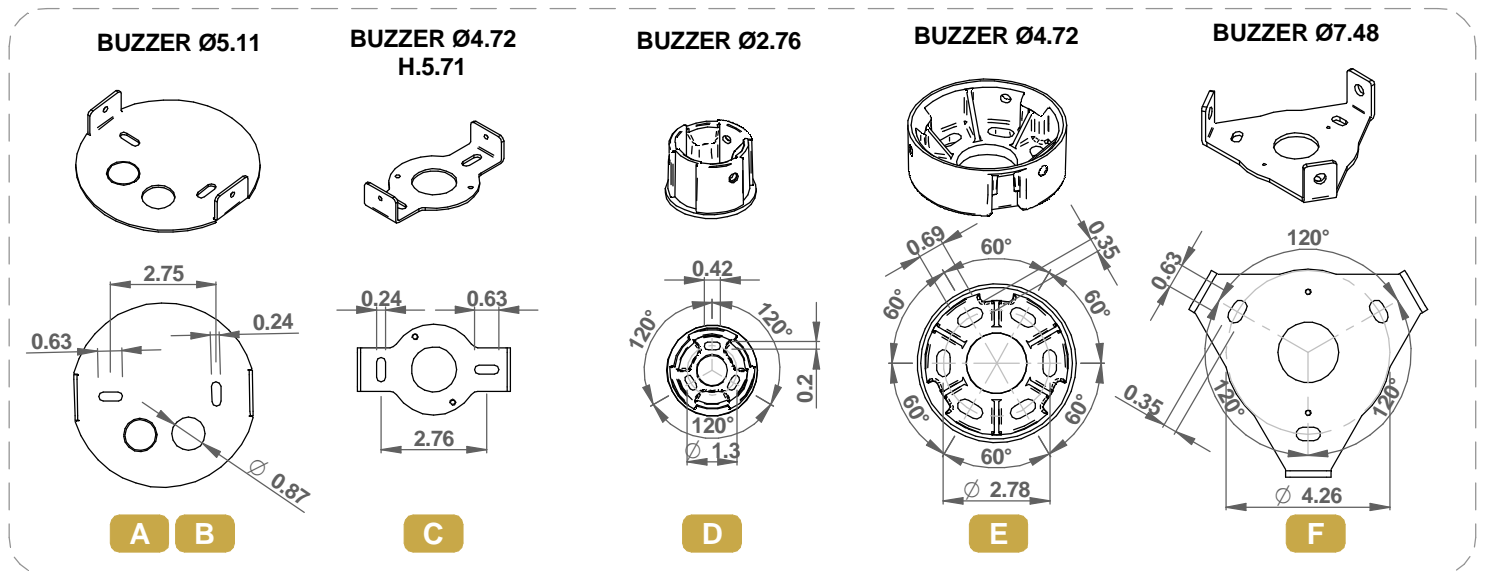
BUZZER PRO



DIMENSIONS



BASE PLATE DIMENSIONS



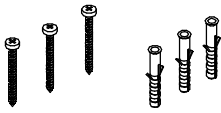


BUZZER PRO



NOT INCLUDED ACCESSORIES

Screws and Dowels



Peg, screws and washers

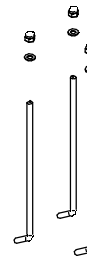
H. 11.81in

W-F500001



Tie rods, nuts and washers

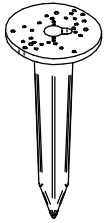
W-F900001
 W-F900002



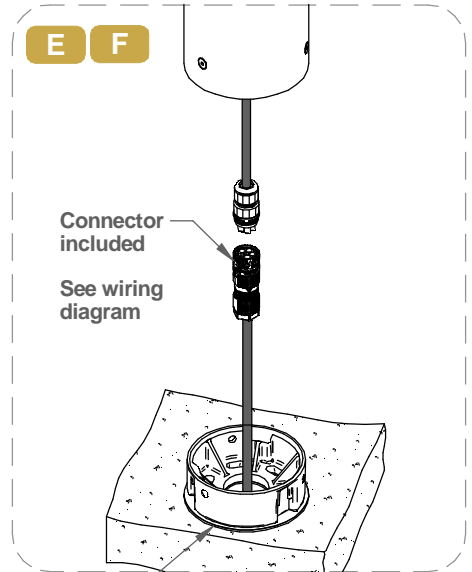
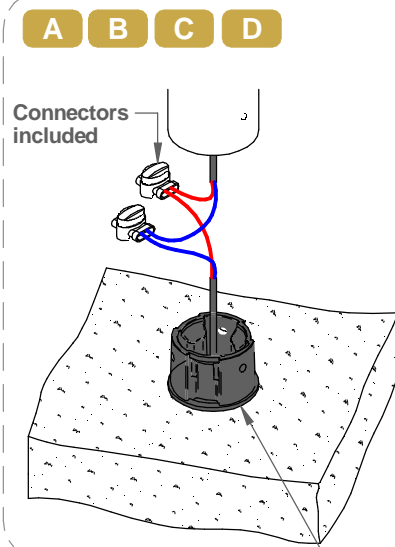
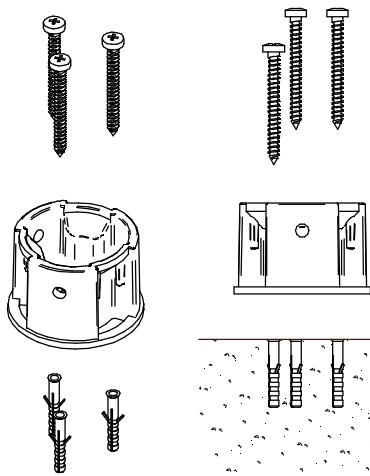
Peg, screws and washers (only for Ø4.72 H.5.71 & Ø5.12)

H 11.81in

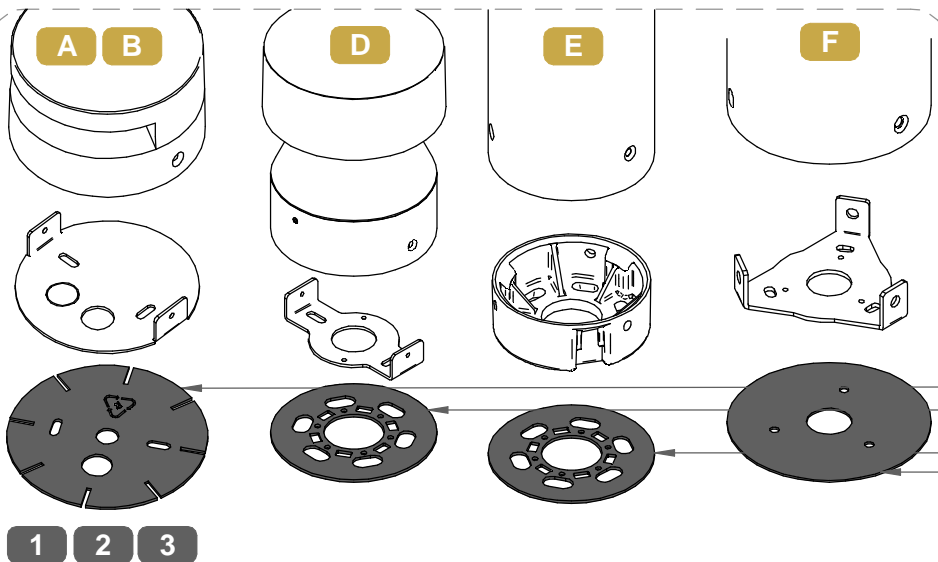
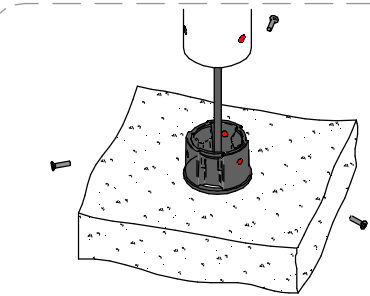
14931



PREINSTALLATION



This bracket is for illustrative purposes only, please follow the instructions on the previous page.



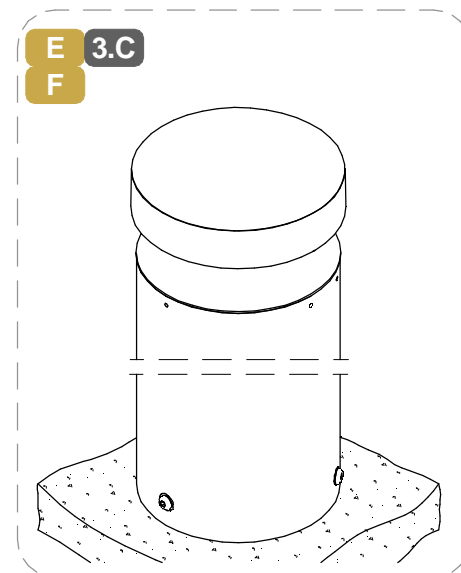
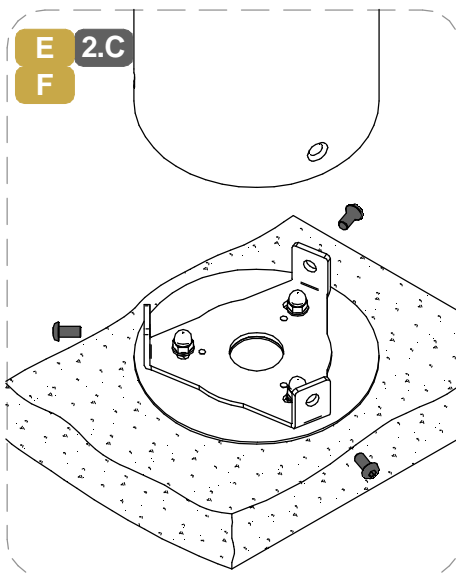
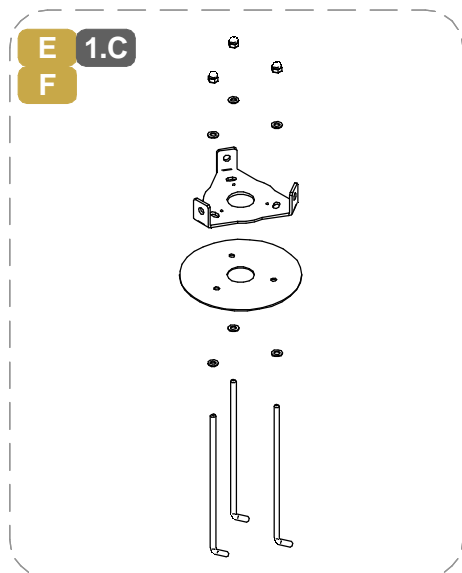
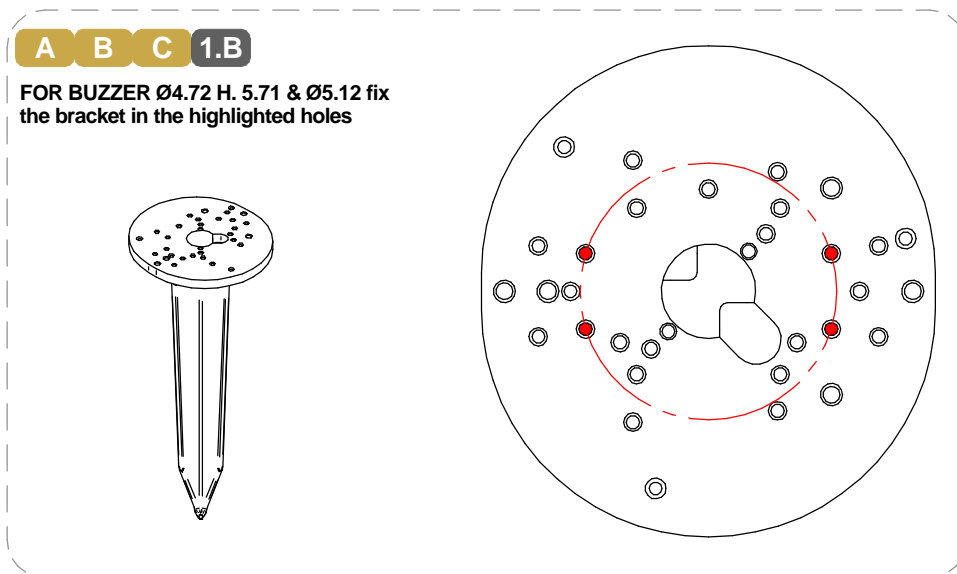
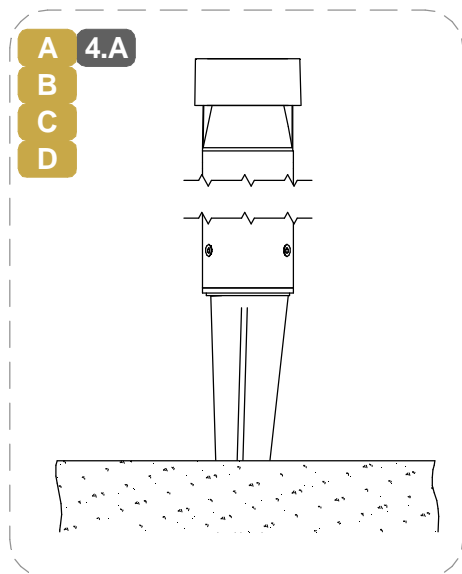
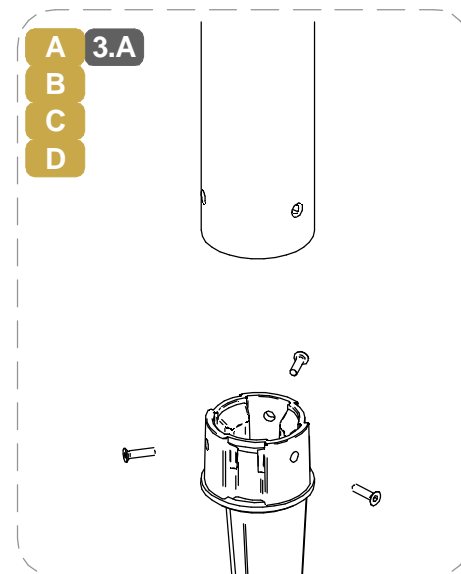
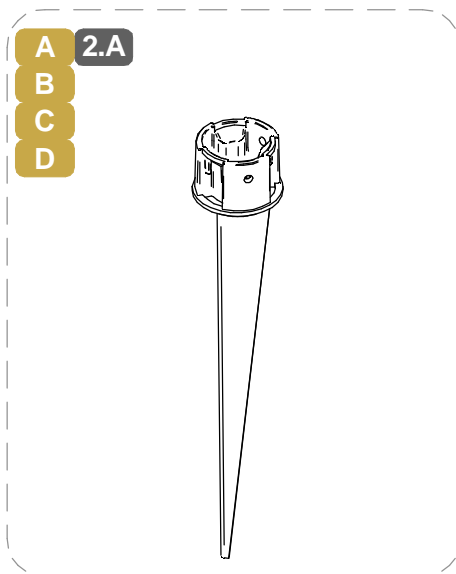
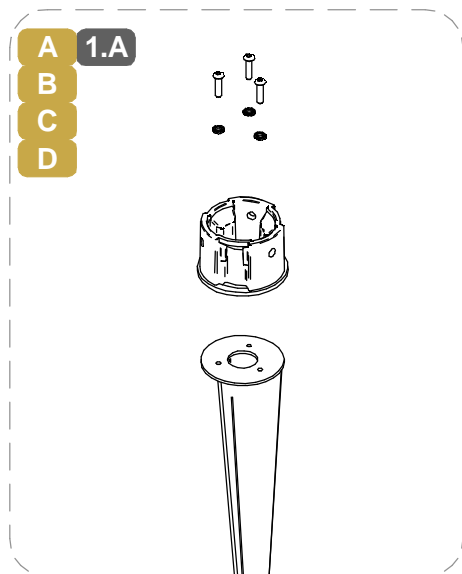
IT'S MANDATORY TO FIT THE PVC PLATE, TO AVOID CORROSION DAMAGE

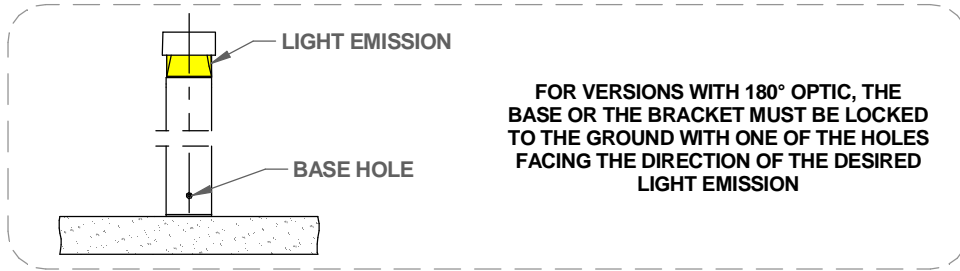
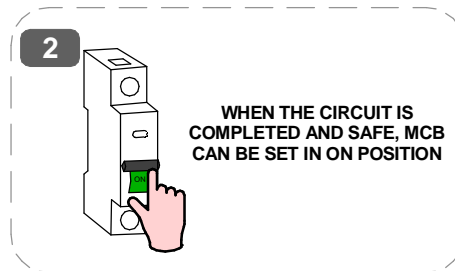
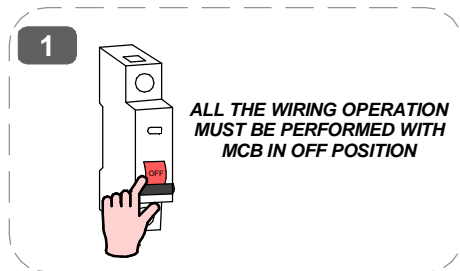
PVC PLATE



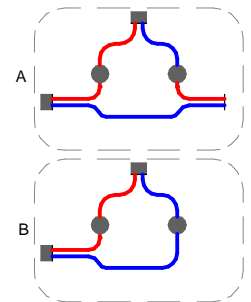
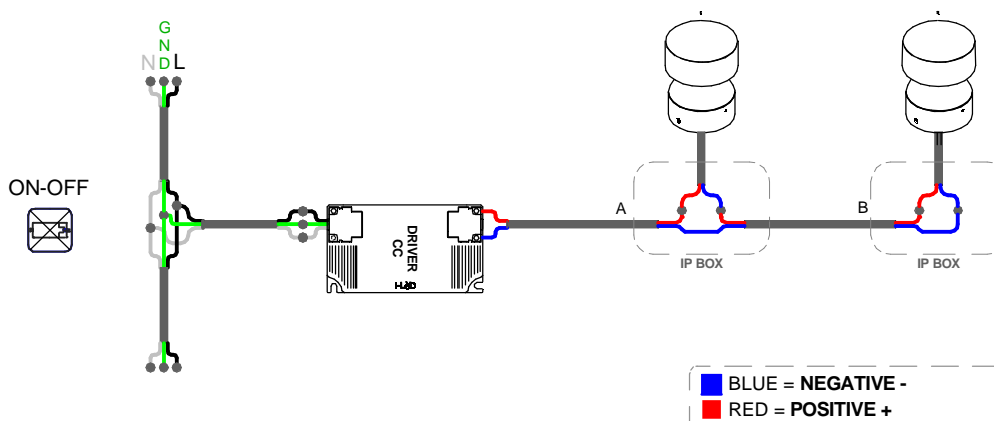
BUZZER PRO

NOT INCLUDED ACCESSORIES INSTALLATION



**BUZZER PRO****WIRING****CONSTANT CURRENT**

CC **A** **B** **C** **D**



The number of fixtures on a single output will vary depending on the specific LED driver. Refer to the specific wiring diagram on <https://www.inter-lux.com/wiring-diagrams/> and the Constant Current Fixtures per driver table.

Buzzer PRO Drive current level for each fixture:

6.5W fixture driven @ 350mA

7.2W fixture driven @ 200mA

6.5W Fixtures Driver options:

ECO30W-350: Max. 2 fixtures wired in series per driver

SOLO50W-350: Max. 2 fixtures per driver (2 per output, wired in series)

SOLO100W-350: Max. 4 fixtures per driver (2 per output, wired in series)

7.2W Fixtures Driver options:

ECO30W-200: Max. 1 fixtures per driver, Home-run

SOLO50W-200: Max. 2 fixtures per driver, Home-run

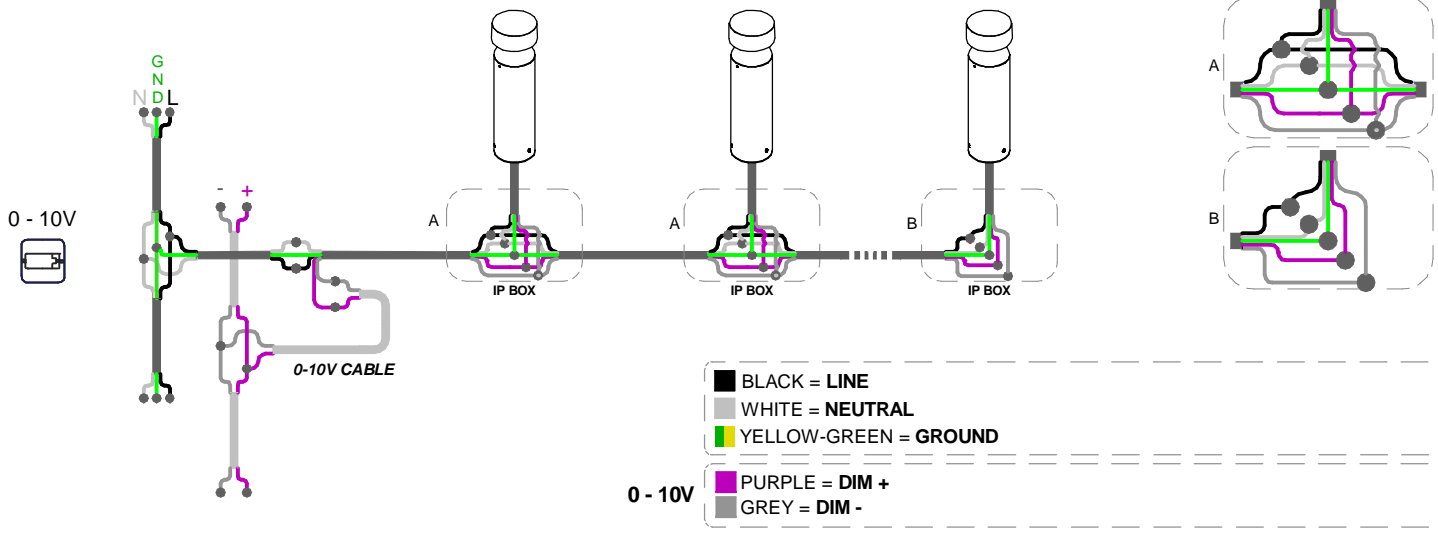
SOLO100W-200: Max. 4 fixtures per driver, Home-run



BUZZER PRO



INTEGRAL 120/277VAC 0-10V DRIVER **ID E F**



- POLE 1 = LINE
- POLE 2 = NEUTRAL
- POLE 3 = 0-10V +
- POLE 4 = GROUND
- POLE 5 = 0-10V -

