

Luminaires must be installed by a qualified electrician. Check with local and national codes for proper installation.

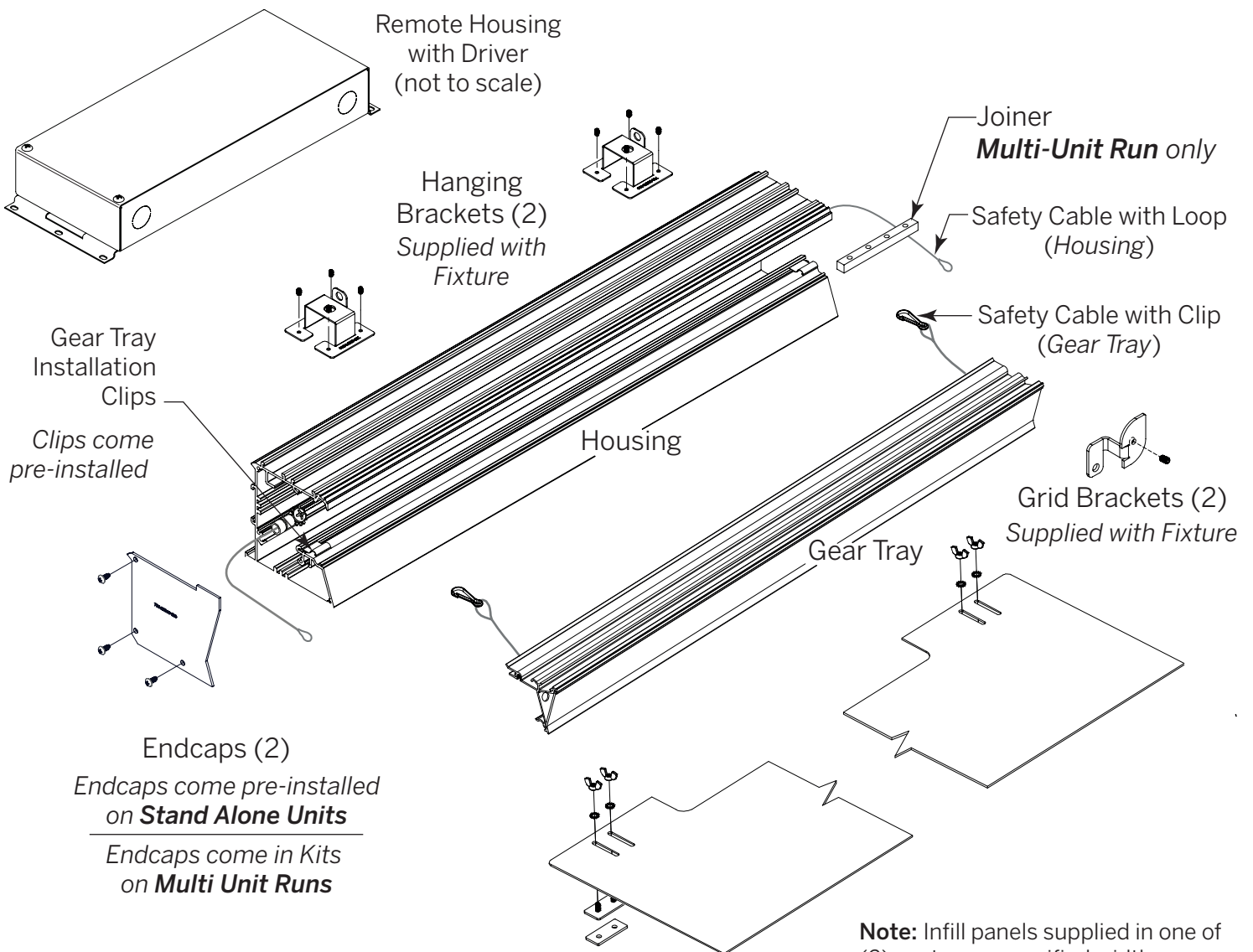


To prevent electrical shock disconnect electrical supply before installation or servicing.
Never connect a live driver!!!

Contractor is responsible for adequately reinforcing walls and/or ceilings to support fixture weight. Provide blocking when necessary.

Step 1 - Open the Box

Unpack luminaire unit. Unit is comprised of (3) major parts: Housing, Gear Tray, and Remote Driver. Drivers and Housings supplied by Inter-lux.



Note: Infill panels supplied in one of (2) customer specified widths: Adjustable 4-5" and Adjustable 5-6".

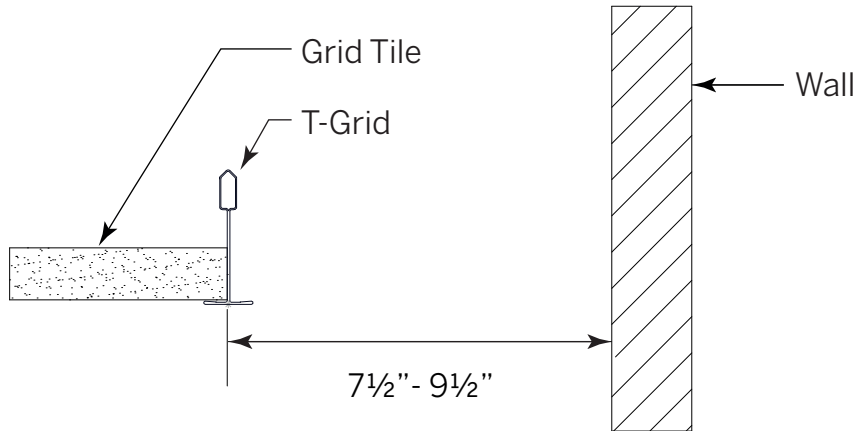
Mounting Clips, LED board, Driver, and Safety Cables pre-installed at factory



Infill Panels, End Caps, and Hanging Brackets are supplied with mounting screws.

Step 2 - *Prep Ceiling*

If your order includes the factory-supplied Infill Panel, construct ceiling grid such that there is a 7½" - 9½" space between center line of grid and wall. Dimensional range due to adjustable depth of Infill Panel. See **Step 6** for more details.

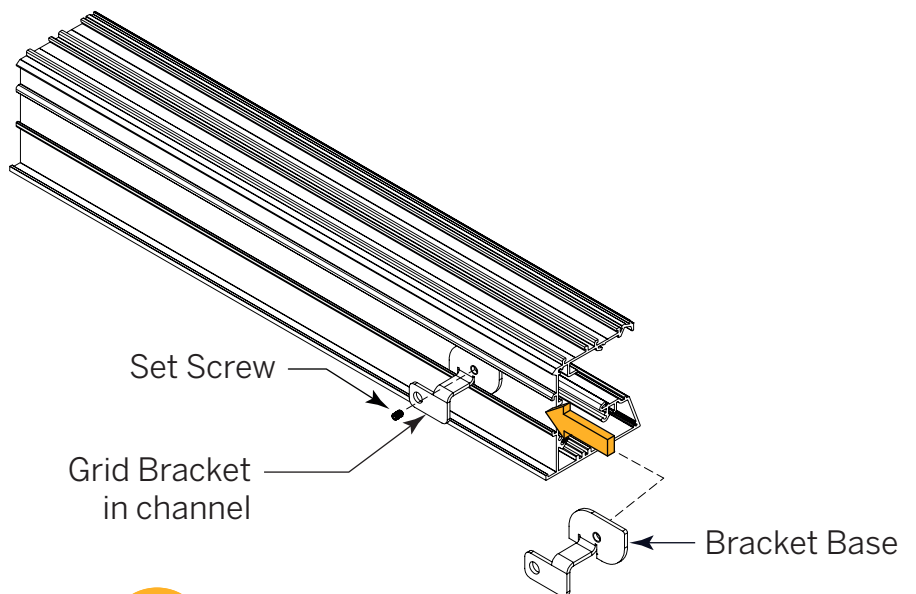


Step 3 - *Install Grid Brackets*

- a** Secure Grid Brackets on Housing by sliding base along major channel on back of extrusion.
- b** Fasten to Housing with supplied **M4 Hex** Set Screw, as shown.

Repeat as necessary.

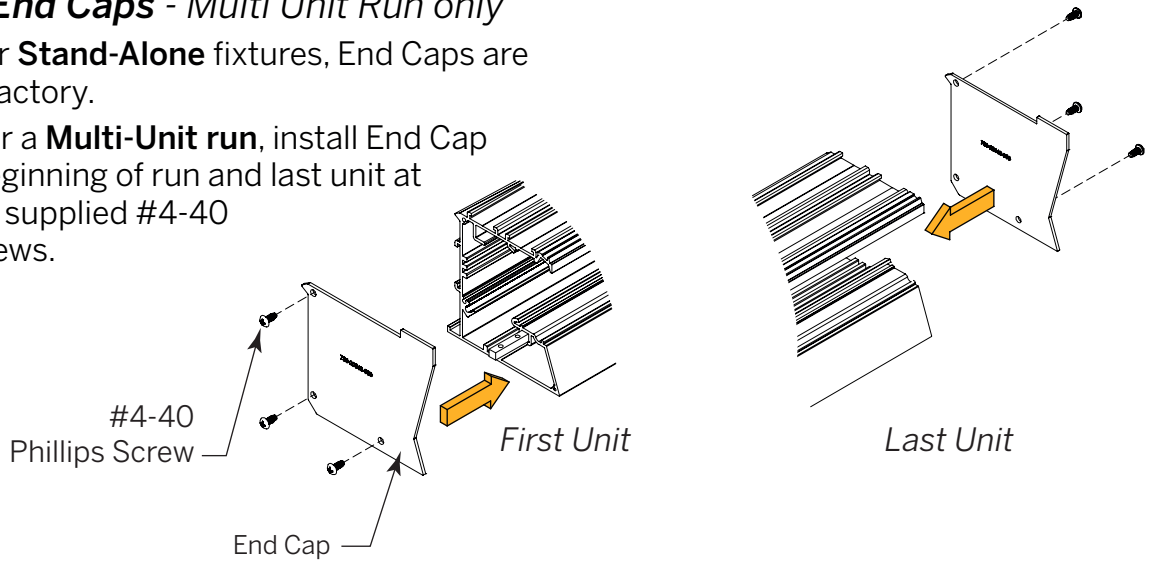
See **Step 4** for side view of installed Grid Bracket



Step 4 - Install End Caps - Multi Unit Run only

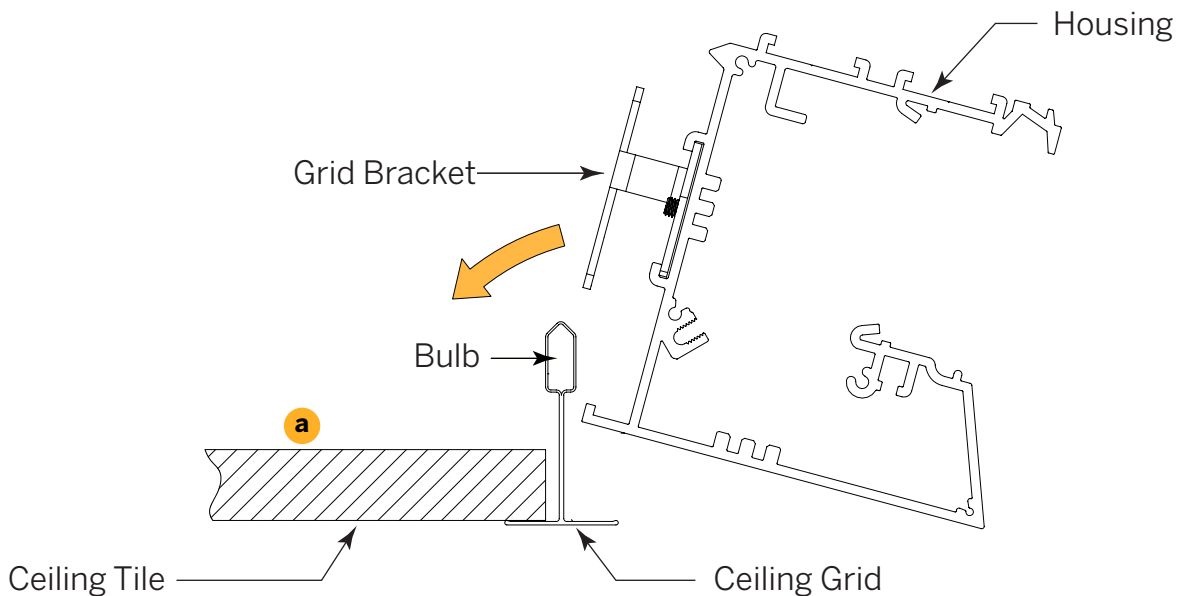
If your order is for **Stand-Alone** fixtures, End Caps are pre-installed at factory.

If your order is for a **Multi-Unit run**, install End Cap on first unit at beginning of run and last unit at end of run, using supplied #4-40 Phillips head screws.



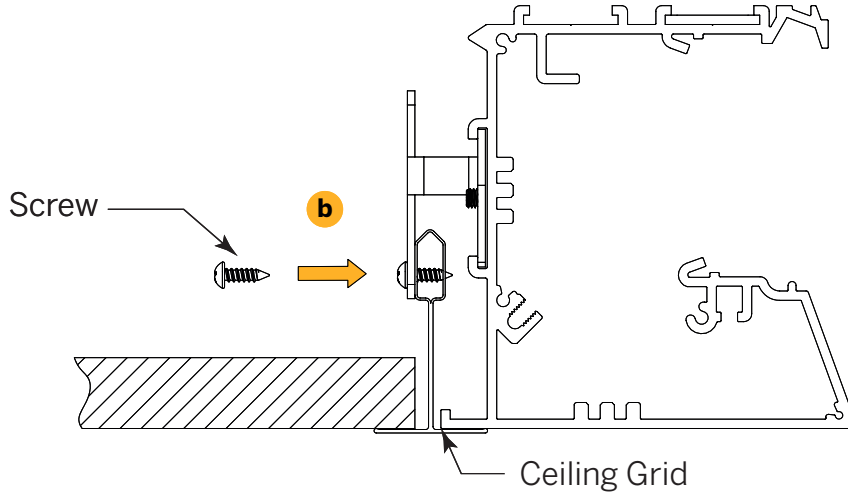
Step 5 - Install Housing

- a** Hook Grid Bracket over bulb of Ceiling Grid.



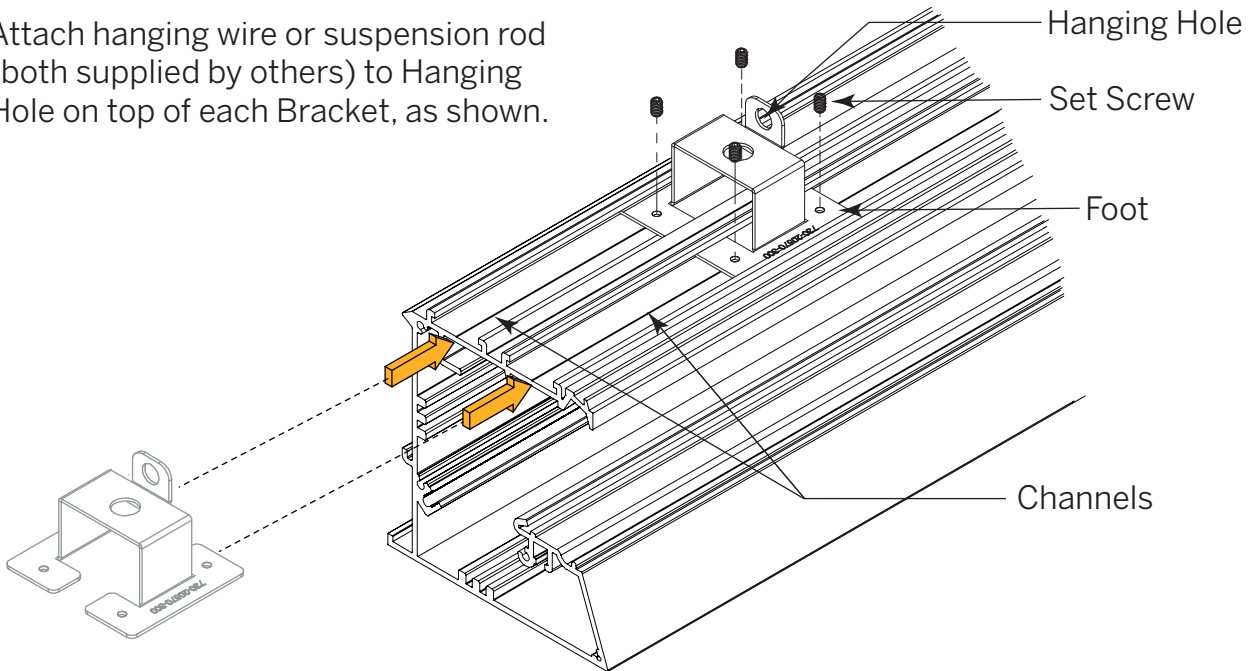
Step 5 - **Install Housing** (continued)

- b** Drive a Thread-Forming Screw (supplied by others) through hole located on Grid Bracket to Secure. Repeat as necessary.



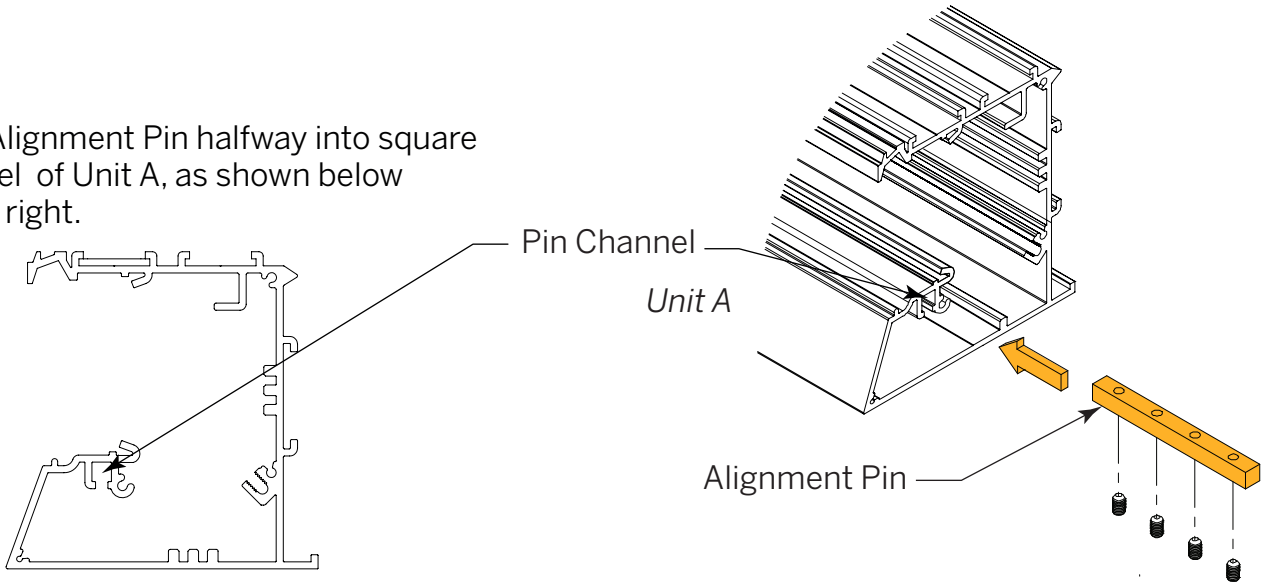
Step 6 - **Installation of Hanging Brackets**

- a** If required to attach fixtures to ceiling structure, slide Hanging Brackets into Housing's top double channel such that they capture the Brackets' two "feet."
- b** Secure Brackets with supplied **M3 Hex Set Screws**.
- c** Attach hanging wire or suspension rod (both supplied by others) to Hanging Hole on top of each Bracket, as shown.

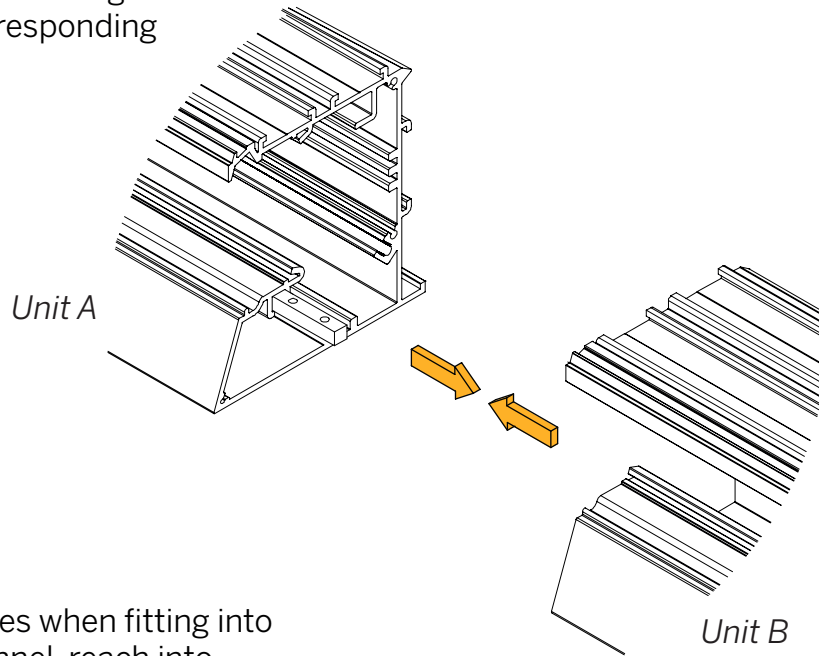


Step 7 - **Install Joiners** - Multi Unit Run only

- a** Slide Alignment Pin halfway into square channel of Unit A, as shown below and at right.



- b** Draw Unit A and Unit B together. Fit Joiner into corresponding channel in Unit B.



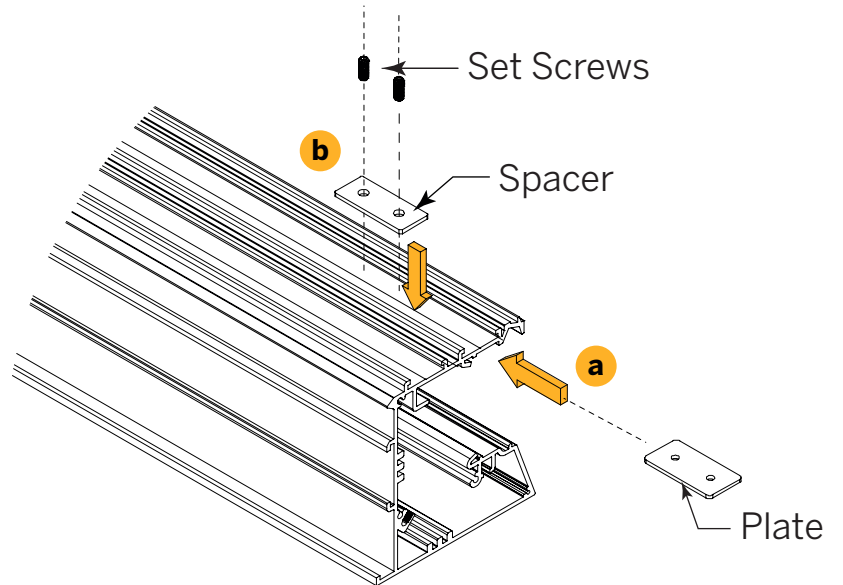
NOTE: If Joiner slides when fitting into corresponding channel, reach into housing curving fingers down and around to slide Joiner back to center between the two units.



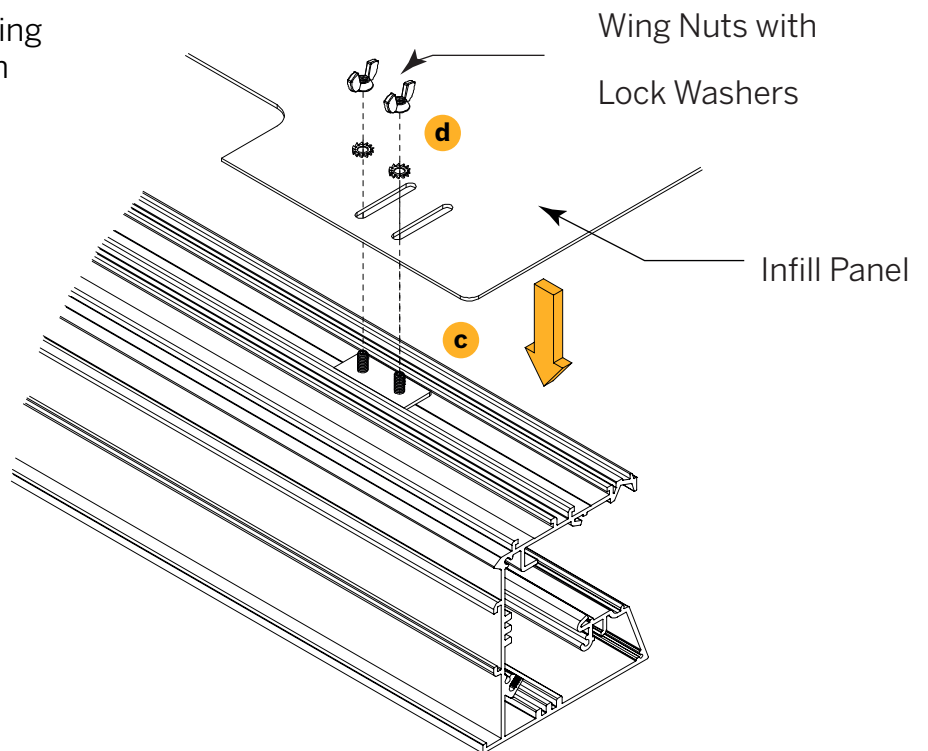
Step 8 - **Install Infill Panel**

- a** Place Z Cove Spacer on top of Plate. Insert **M4 Flat Head** Set Screws through both together.
- b** Slide assembly through front channel on top of Housing. Tighten Set Screws to fasten to top of Housing.

Repeat for right and left sides. Some lengths may have an additional fixation point.

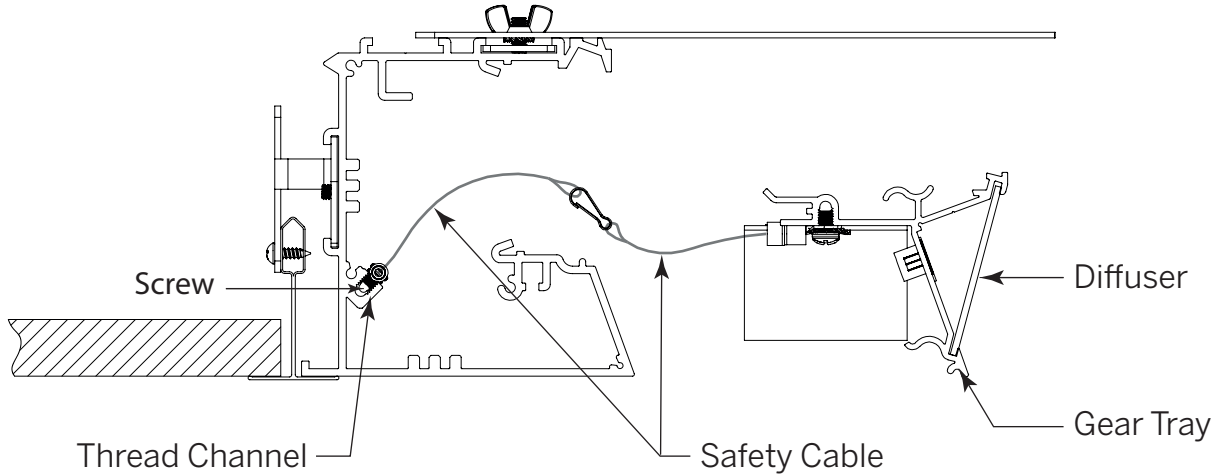


- c** Lower Infill Panel onto top of Housing such that Set Screws pass through slots in Panel.
- d** Fasten with Wing Nuts and Lock Washers.



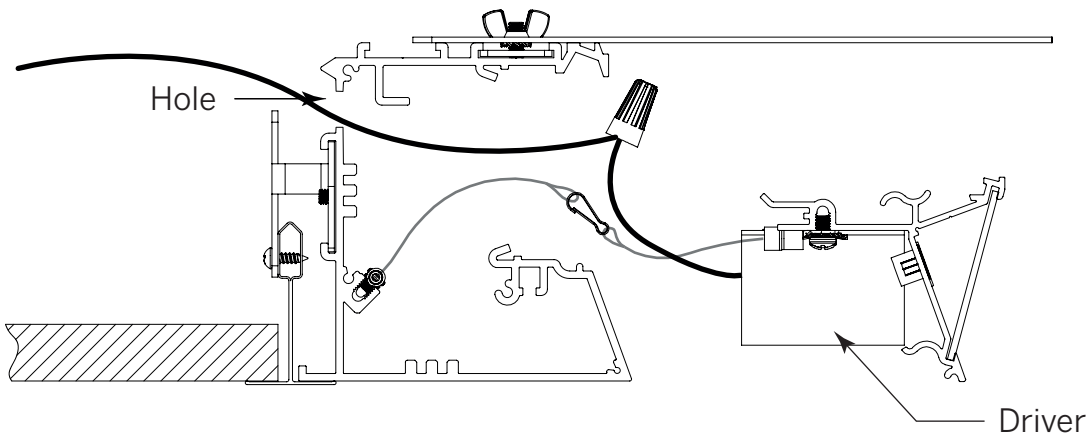
Step 9 - Install Safety Cable

The factory attaches the two-part Safety Cable to the Gear Tray. The free end with screw is now fastened to the Thread Channel in Housing, as shown below.



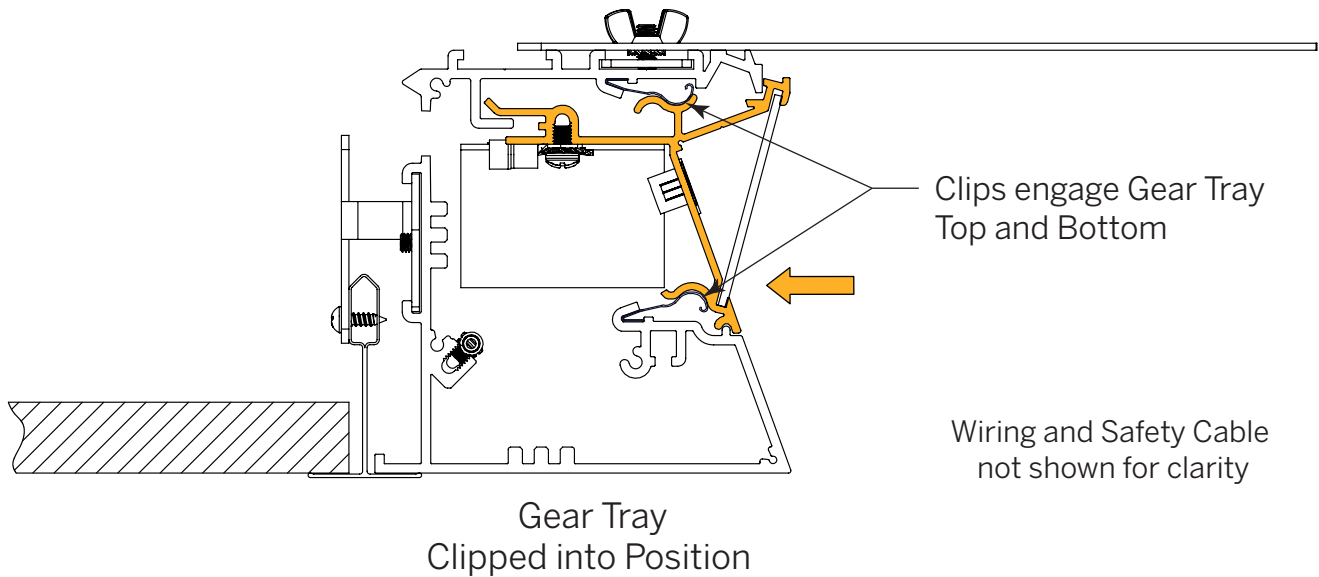
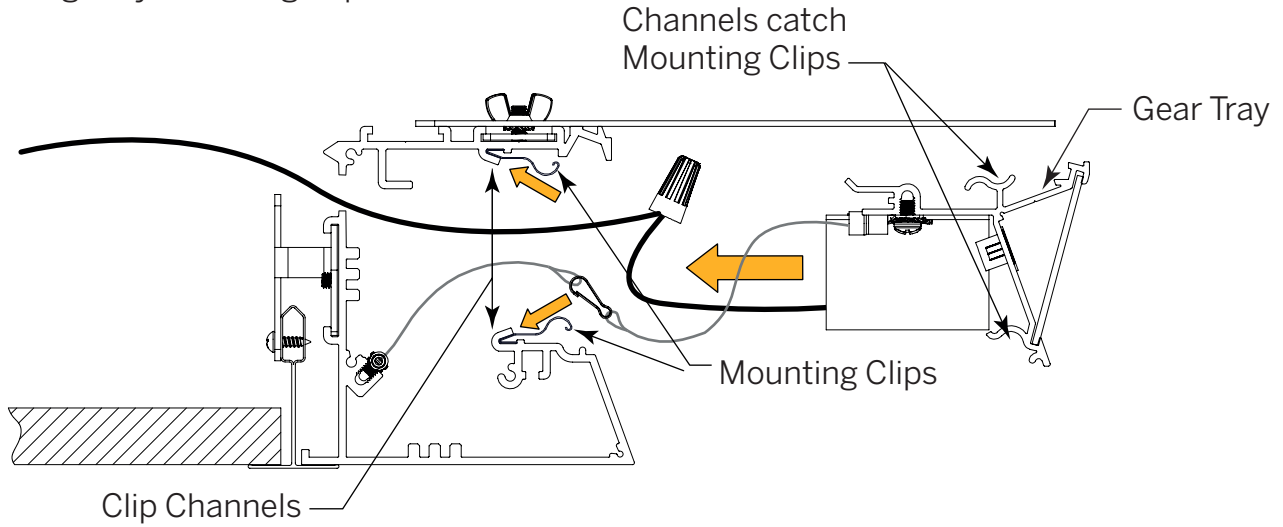
Step 10 - Wire & Install Gear Tray

- a** Pull Power (and Control) Feed wires through holes in Housing.
- b** Connect wires from Driver to Power Feed. A 7/8" hole is drilled in Housing at start of run.



Step 10 - **Wire & Install Gear Tray** (continued)

- c** Gently insert Gear Tray into Housing until caught by Mounting Clips.



- d** Energize!

