

Luminaires must be installed by a qualified electrician. Check with local and national codes for proper installation.



To prevent electrical shock disconnect electrical supply before installation or servicing.

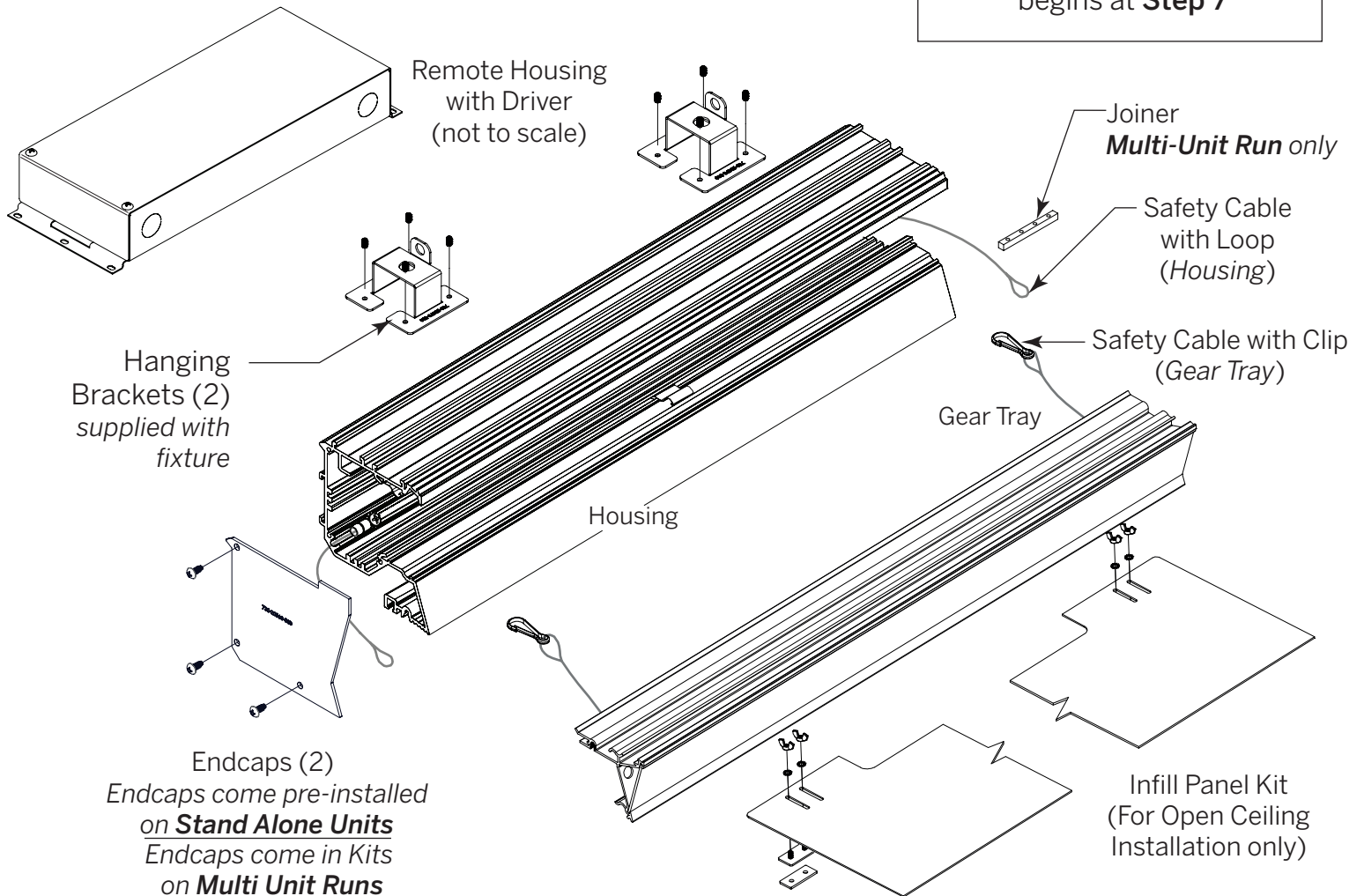
**Never connect to a live driver!!!**

Contractor is responsible for adequately reinforcing walls and/or ceilings to support fixture weight. Provide blocking when necessary.

## Step 1 - Open the Box

Unpack luminaire unit. Unit is comprised of (3) major parts: Housing, Gear Tray, and Remote Driver. Drivers and Housings supplied by Inter-lux.

Installation in a **False Ceiling** begins at **Step 6**  
Installation in an **Open Ceiling** begins at **Step 7**



**Note:** Infill panels supplied in one of (2) customer specified widths: Adjustable 4-5" and Adjustable 5-6".

Mounting Clips, LED board, Driver, and Safety Cables pre-installed at factory

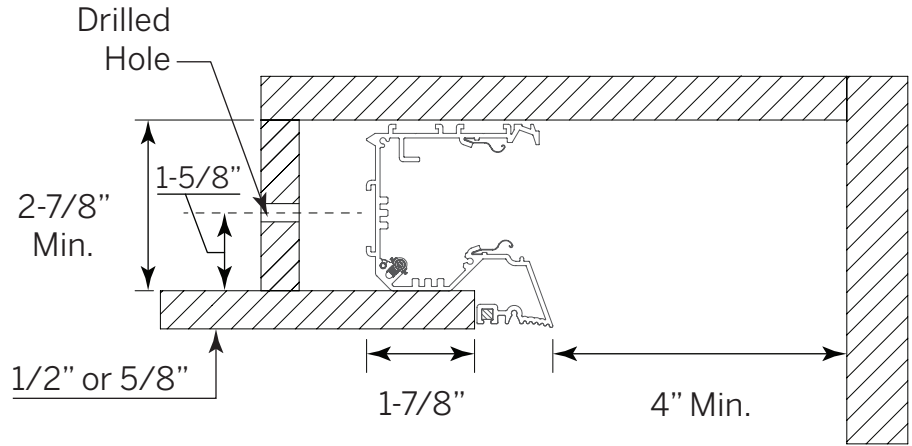


Infill Panels, End Caps, and Hanging Brackets are supplied with mounting screws.

**Step 2 - Prep Ceiling**

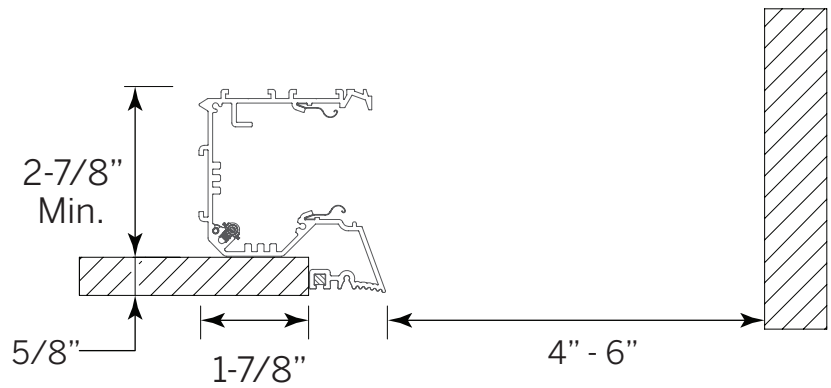
*False Ceiling*

- a** Construct False Ceiling of 1/2" or 5/8" drywall as having minimum dimensions as shown at right.
- b** Drill hole in vertical drywall 1-5/8" above ceiling surface for Power (and control) Feed to pass through.



*Open Ceiling*

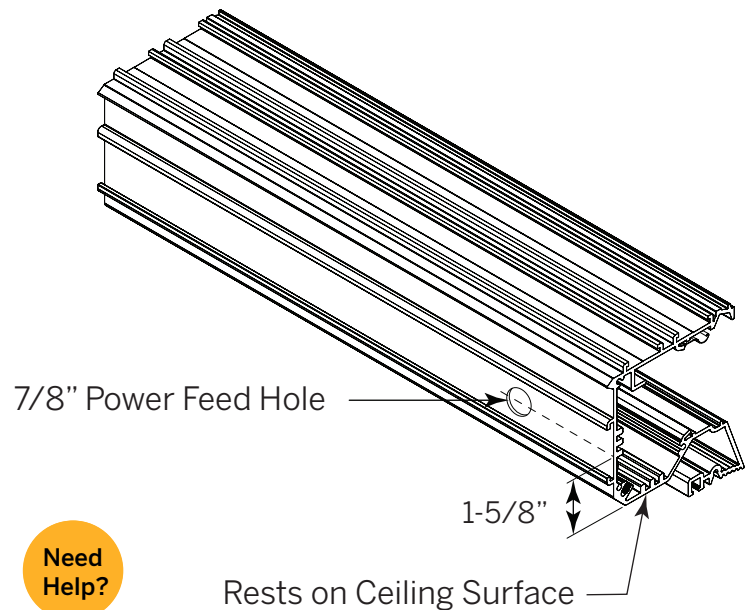
- a** Open Ceiling minimum dimensions shown at right.



**Step 3 - Prep Housing**

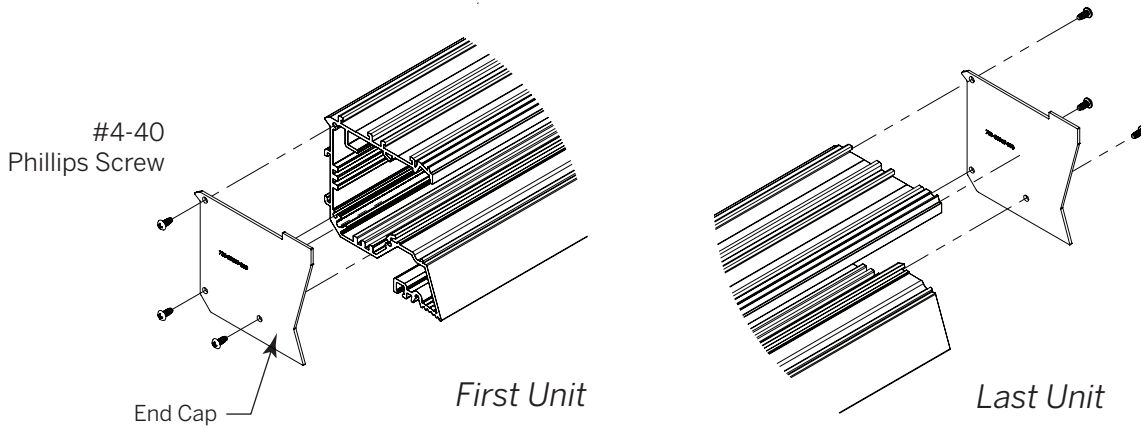
*Power Feed Hole*

- a** Drill 7/8" Power Feed Hole in Housing 1-5/8" above ceiling surface, corresponding to hole location in drywall.



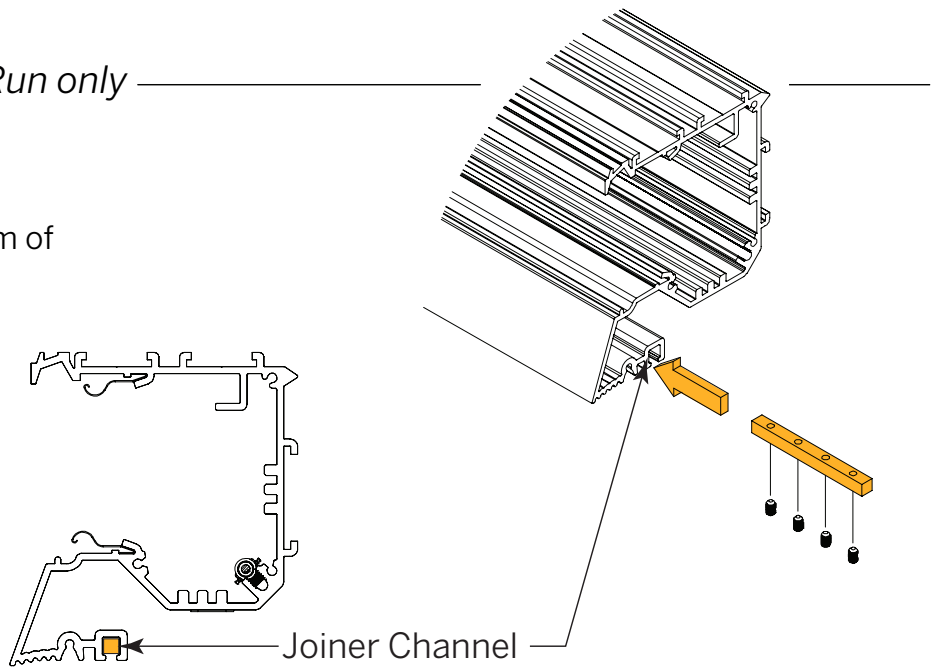
Step 4 - **Install End Caps** - Multi Unit Run only

- b** Install End Cap on first unit at beginning of run and last unit at end of run, using supplied #4-40 Phillips head screws.



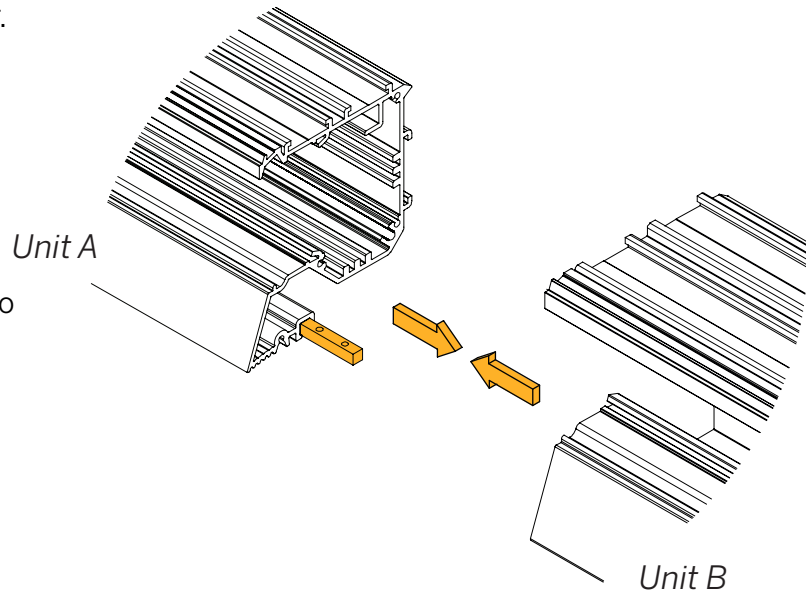
Step 5 - **Join Units** - Multi Unit Run only

- a** Insert Joiner into Channel at bottom of Housing, as shown at right.  
Secure with Supplied Set Screws  
Repeat for each Unit in Run.



Step 5 - **Join Units** - Multi Unit Run only (continued)

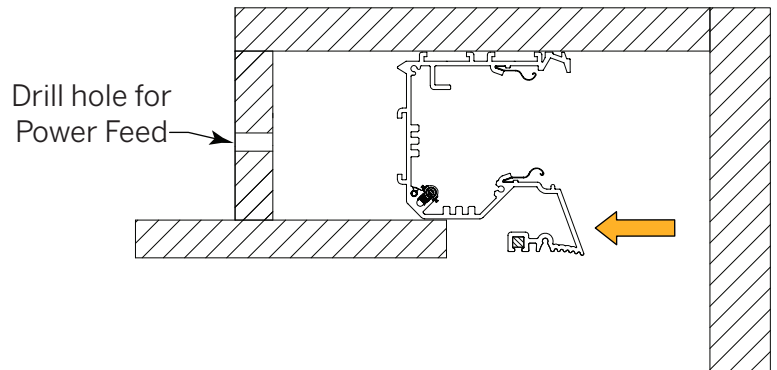
- b** Draw Unit A and Unit B together. Fit Joiner into corresponding channel in Unit A.



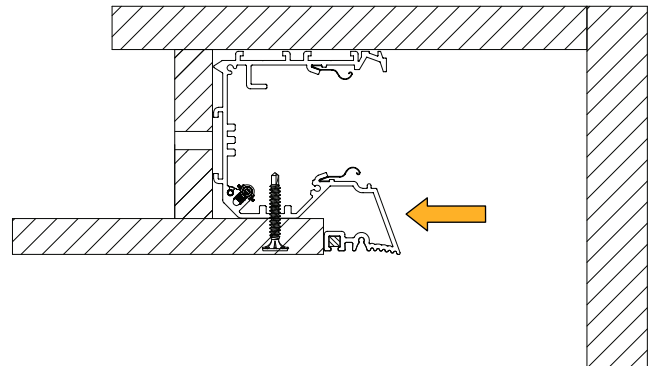
**NOTE:** If Joiner slides when fitting into corresponding channel, reach into housing curving fingers down and around to slide Joiner back to center between the two units.

Step 6 - **Install Housing** - False Ceiling

- a** Align Housing with False Ceiling and insert as shown at right.



- b** Secure with flat head screws (by others).



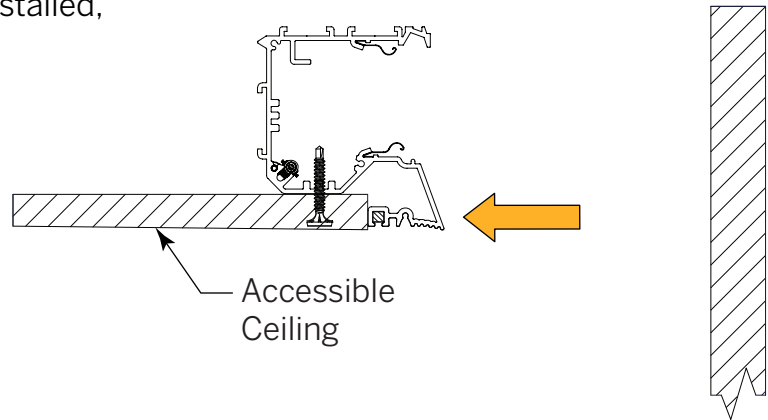
For installation in an Open Ceiling, skip to **Step 6** or **7**



Step 7 - **Install Housing - Accessible Open Ceiling**

If ceiling will be **Accessible** after drywall installed,

- a** Align Housing with Open end of Ceiling and insert as shown at right.
- b** Secure with flat head screws (by others).
- c** If required, mount Hanging Brackets and/or Infill Panel(s) as directed in below in **Step 7**

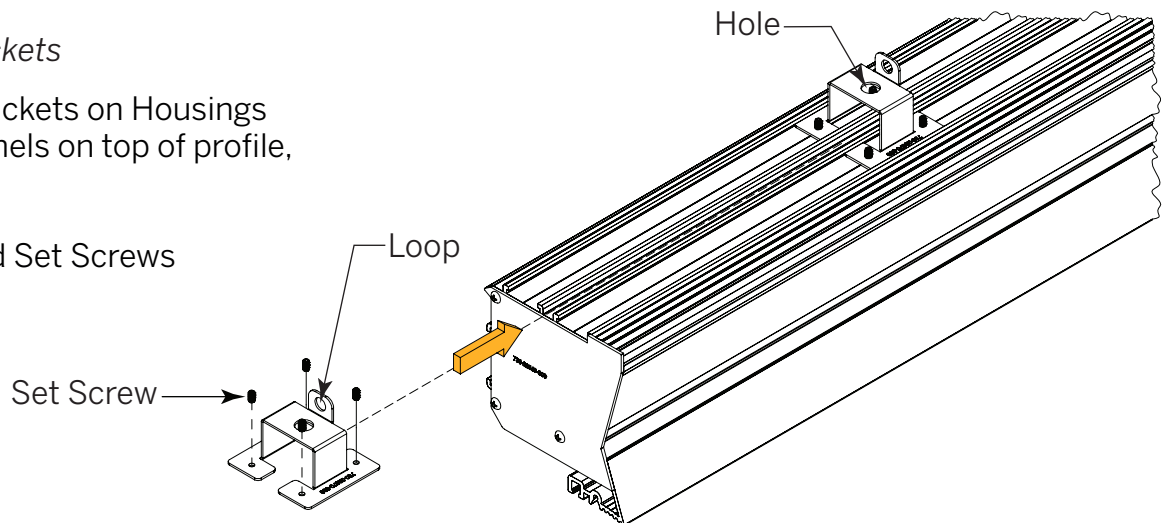


Step 8 - **Install Housing - Inaccessible Open Ceiling**

**IMPORTANT:** If ceiling will **Not** be **Accessible** after drywall installed, **do not** install ceiling before installing Lighting. Hanging Brackets and Infill Panel(s) are required and must be installed first.

*Install Hanging Brackets*

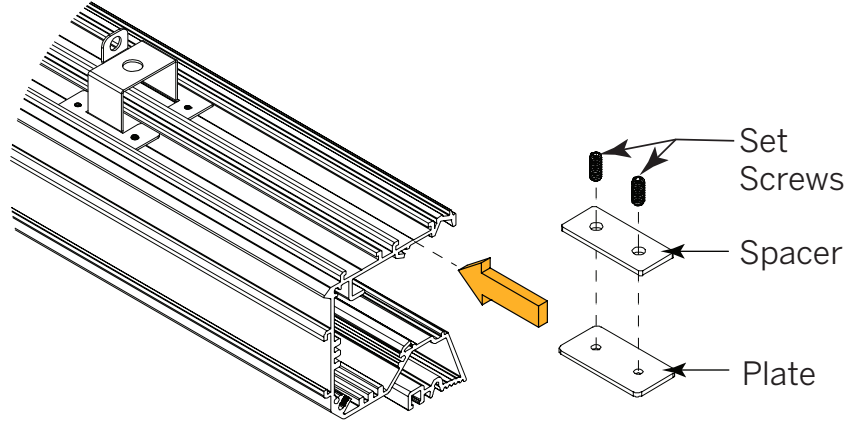
- a** Secure Hanging Brackets on Housings by sliding into channels on top of profile, as shown.
- b** Fasten with supplied Set Screws as shown at right.



Step 8 - **Install Housing** - Inaccessible Open Ceiling (continued)

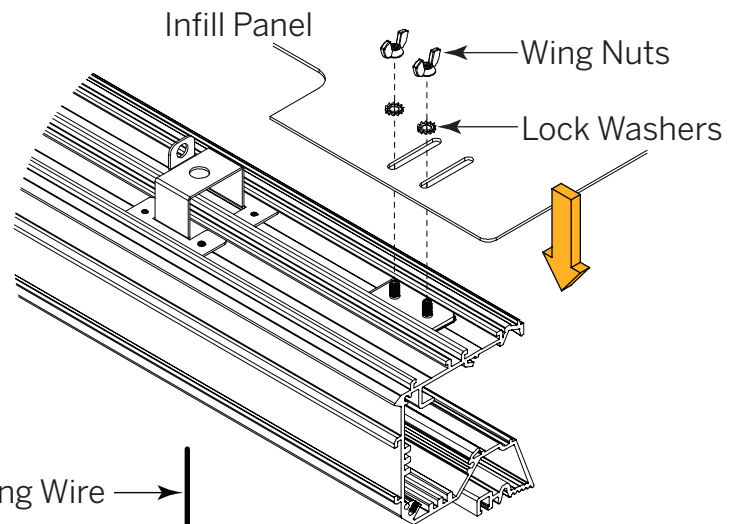
*Install Infill Panel*

- a** Place Z Cove Spacer on top of Plate. Insert **M4 Flat Head Set Screws** through both together.
- b** Slide assembly through front channel on top of Housing. Tighten Set Screws to fasten to top of Housing.



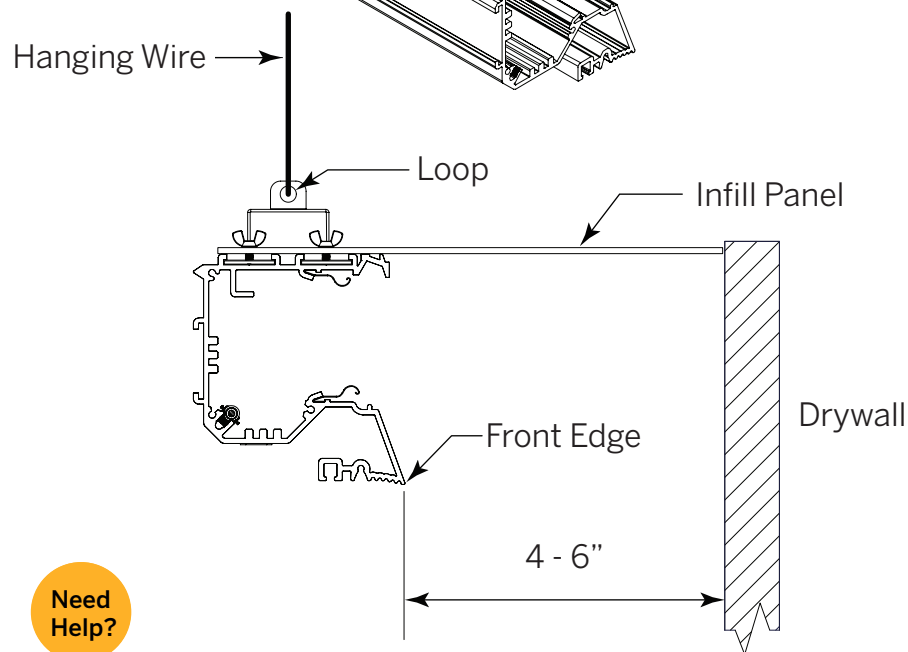
Repeat for right and left sides. Some lengths may have an additional fixation point.

- c** Lower Infill Panel onto top of Housing such that Set Screws pass through slots in Panel.
- d** Fasten with Wing Nuts and Lock Washers.



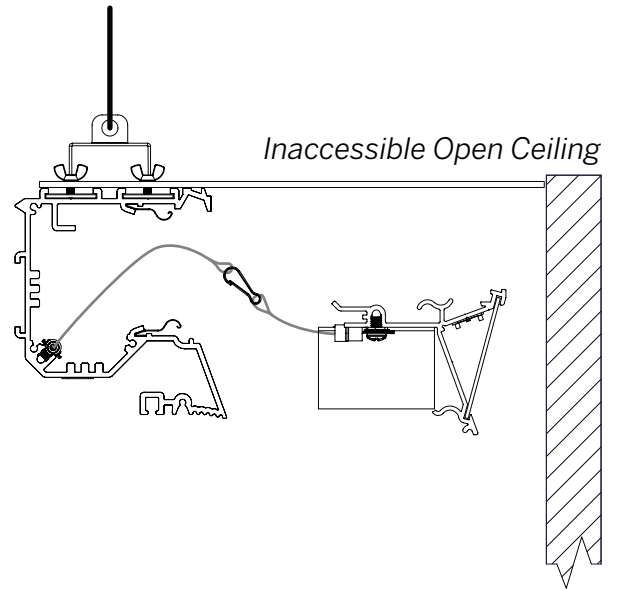
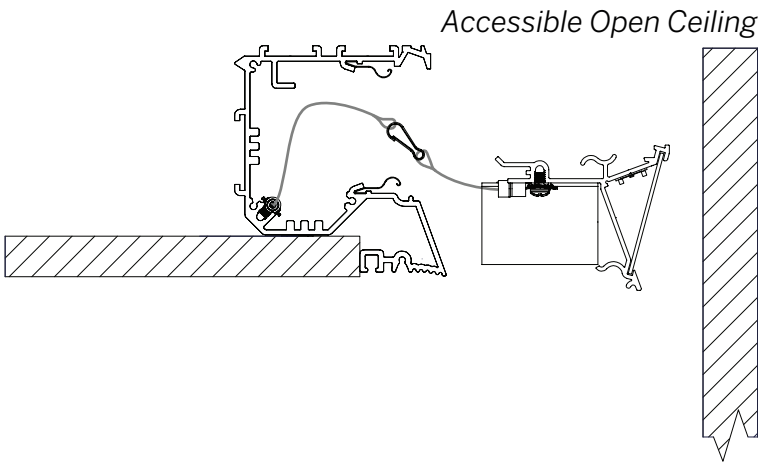
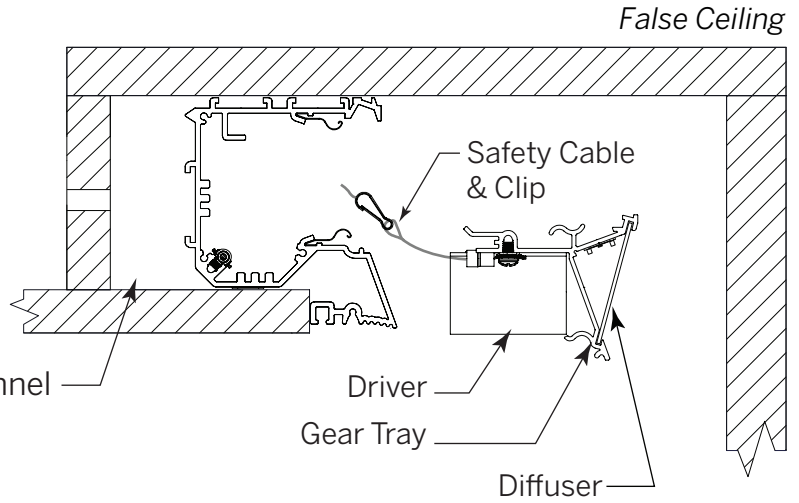
*Hang Fixture*

- a** Attach Hanging Wire (by others) to Loop, or Suspension Rod (by others) to Hole.
- b** Hang Fixture such that the Front Edge of profile is between 4-6" from the wall.
- c** Adjust depth of Infill Panel, as necessary.



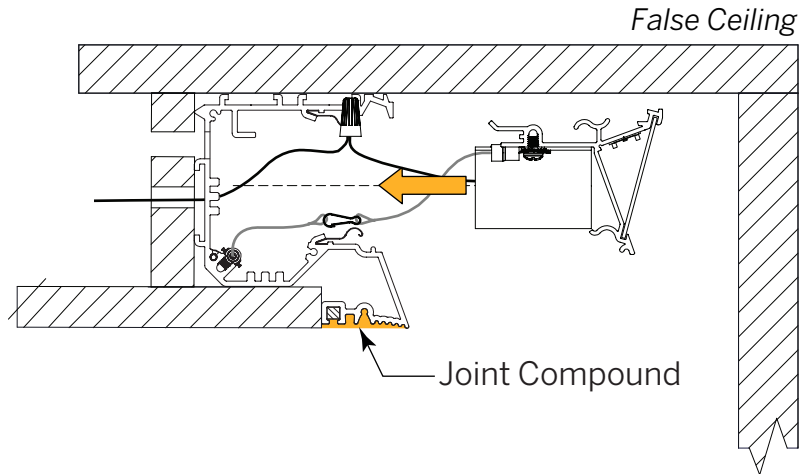
**Step 9 - Install Safety Cable**

The factory attaches the two-part Safety Cable to the Gear Tray. Fasten the free end (with screw) to the Thread Channel in Housing, shown at right.

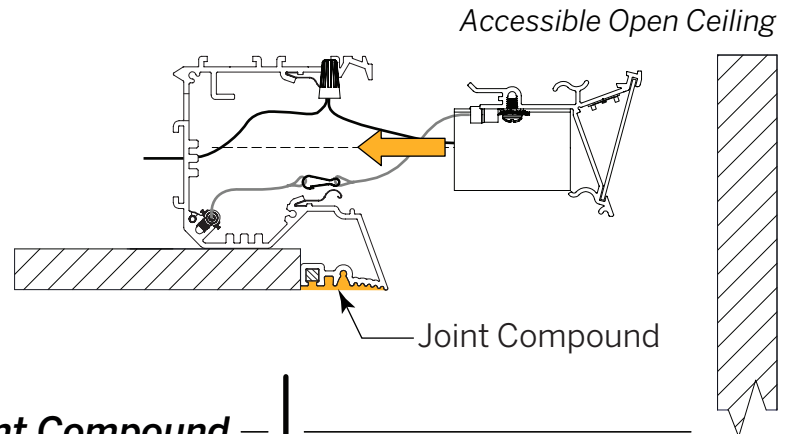
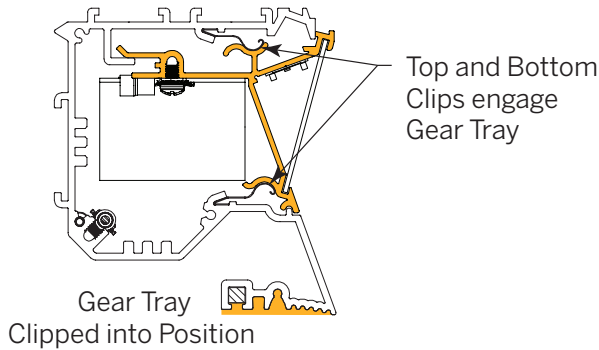


**Step 10 - Wire & Install Gear Tray**

- a** Pull Power (and Control) Feed wires through holes in Housing.
- b** Connect wires from Driver to Power Feed.
- c** Gently insert Gear Tray into Housing until caught by Mounting Clips.
- d** Energize!



Wiring and Safety Cable not shown for clarity



**Step 11 - Install Ceiling and/or Apply Joint Compound**

- a** For a **False Ceiling** or an **Accessible Open Ceiling**, apply Joint Compound under nose of profile covering all channels (including pin channel) and screws, feathering all edges.
- b** For an **Inaccessible Open Ceiling**, now is the time to confirm that all Hanger Brackets, Infill Panels, Joiners, Hanger Wire, structural connections, and electrical connections have been installed correctly.  
Once the drywall ceiling is installed it will be **impossible** to make further adjustments.
- c** Install ceiling such that drywall edge parallel with Fixture butts up against plaster channels of profile, as shown at right.
- d** After ceiling installation, follow substep **a** to apply Joint Compound.

