

Mini Edgeless Cove Soft Shapes

WG-MEC

Installation Instructions

Cove

Recessed Plaster Trim

CC90: 15", 28", 40" Radii

CR90: 18", 32", 44" Radii

CC180: 15" x 28", 28" x 51", 40" x 72"

CR180: 18" x 32", 32" x 56", 44" x 78"

Luminaires must be installed by a qualified electrician. Check with local and national codes for proper installation.



To prevent electrical shock disconnect electrical supply before installation or servicing.

Never connect to a live driver!!!

Contractor is responsible for adequately reinforcing walls and/or ceilings to support fixture weight. Provide blocking when necessary.

Step 1 - *Open the Box*

Unpack luminaire units. Each unit consist of **two** major parts: Housing, and Mounted/Pre-Wired Gear Tray with Lens. Remote Drivers and Driver Boxes supplied by Inter-lux.

The Soft Shapes are Multi Unit Runs or enclosed shapes comprised of two arcs (Quarter-Circle and Semicircle), two patterns (Coffer & Raft) and each arc and pattern in three sizes. They may be combined with Straight fixtures.

Quarter-Circles

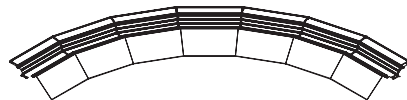
CC90 Corner Coffer 90° (Inside Corner)

Radii measured to knife edge



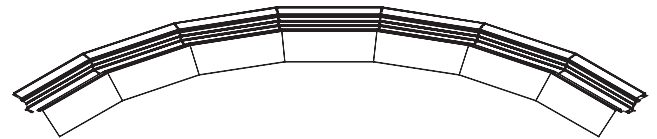
15" Radius

CC90-15



28" Radius

CC90-28



40" Radius

CC90-40

CR90 Corner Raft 90° (Outside Corner)

Radii measured to back of Housing



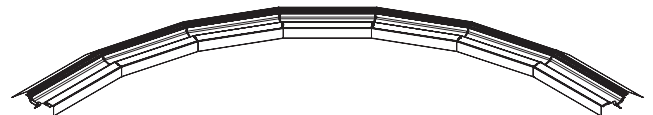
18" Radius

CR90-18



32" Radius

CR90-32



44" Radius

CR90-44

These sizes have been determined based on utilizing full lengths of LED boards in each of the (7) segments that comprise each Corner. Check with factory if specifying non-standard dimensions as there is a risk of inconsistent illumination.

Need
Help?

Mini Edgeless Cove

Soft Shapes

WG-MEC

Cove

Recessed Plaster Trim

CC90: 15", 28", 40" Radii

CR90: 18", 32", 44" Radii

CC180: 15" x 28", 28" x 51", 40" x 72"

CR180: 18" x 32", 32" x 56", 44" x 78"

Step 1 - **Open the Box** (continued)

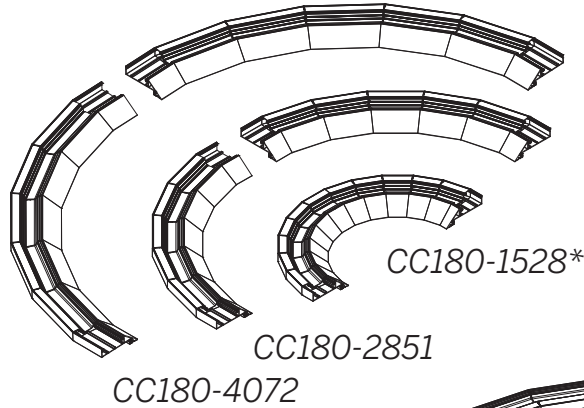
2/8

Semicircles

CC180 Corner Coffer 180°

(Inside Corner)

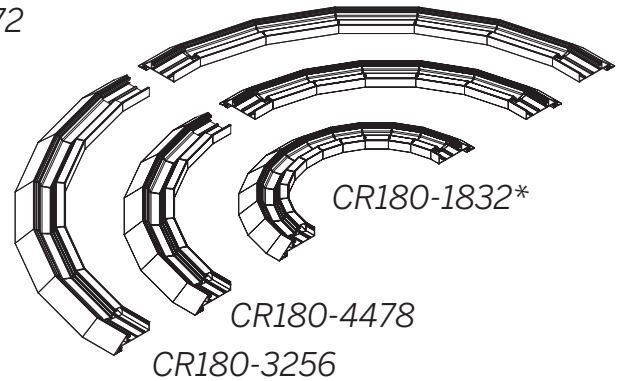
*CC180-1528 and CR180-1832 are supplied as (2) **semicircular** units and assembled on site.



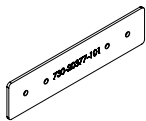
CR180 Corner Raft 180°

(Outside Corner)

Standard Corner Housings are shipped with Gear Trays mounted and wired, *except* for those on each end of the curve. This is to allow access to inside back to drill Mounting Holes, holes Power Feed(s) and, to insert Mounting Screws (supplied by others).



Each Straight and Corner Unit supplied with:

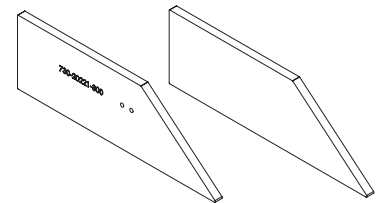


(1) Wide Joiner with Set Screws



(1) Narrow Joiner with Set Screws

Optional End Caps



Installation for Chicago Plenum

To install this fixture consistent with Chicago Plenum requirements, Chicago Plenum-rated conduit and clamp(s), junction box(es), and gasket(s) are supplied by others.



Mini Edgeless Cove

Soft Shapes

WG-MEC

Cove

Recessed Plaster Trim

CC90: 15", 28", 40" Radii

CR90: 18", 32", 44" Radii

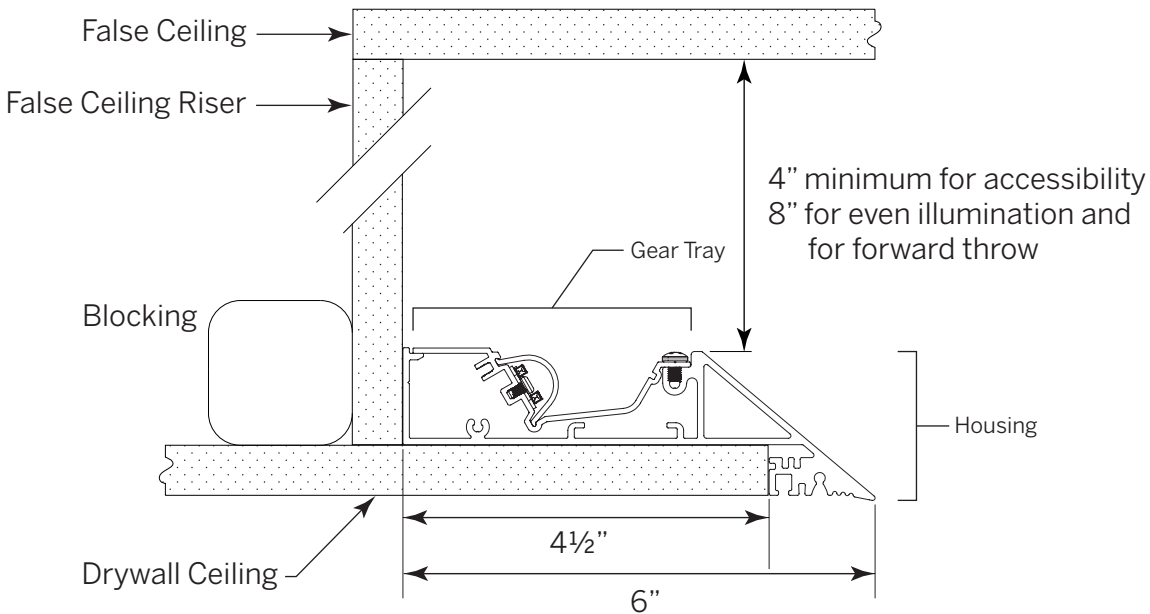
CC180: 15"x 28", 28"x 51", 40"x 72"

CR180: 18"x 32", 32"x 56", 44"x 78"

Step 2 - *Installation Prep*

3/8

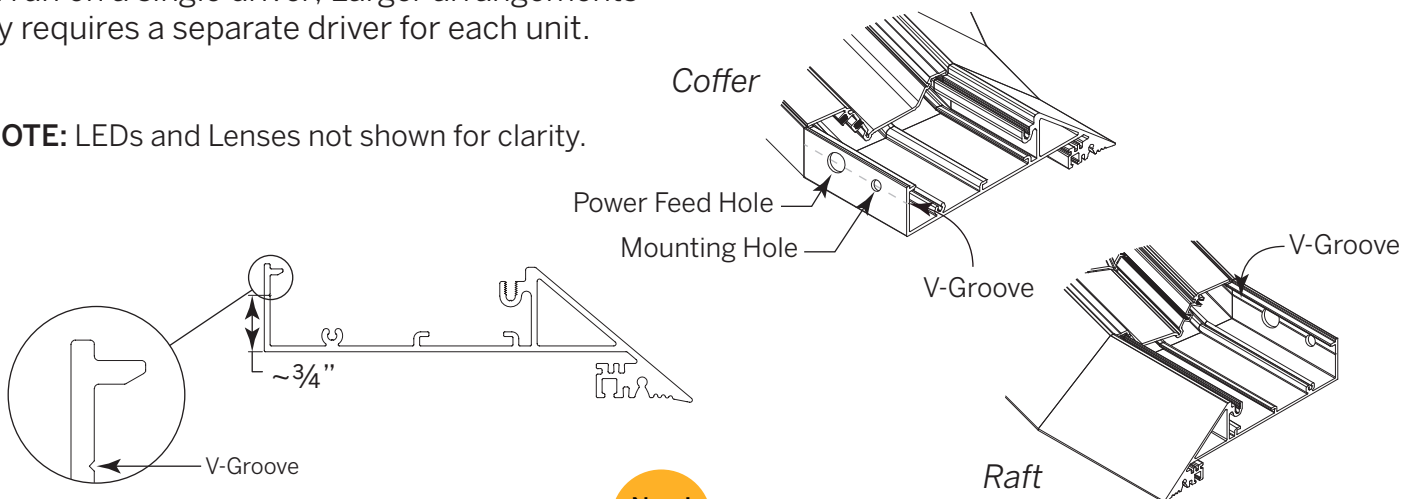
As with the straight section Mini Edgeless Cove, the Soft Corners are fastened to the Riser of a False Ceiling. Construct False Ceiling as shown below.



Step 3 - *Housing Prep - Coffe & Raft, and Straight Housings*

- a** Drill Mounting Holes in Housing Ends on V-Groove (inside Housing) or approximately $\frac{3}{4}$ " from bottom (outside Housing) as shown above.
- b** Drill Hole for Power Feed(s), if necessary. Smaller arrangements may have two or more units that can run on a single driver; Larger arrangements may require a separate driver for each unit.

NOTE: LEDs and Lenses not shown for clarity.



Need Help?

Mini Edgeless Cove

Soft Shapes

WG-MEC

Cove

Recessed Plaster Trim
CC90: 15", 28", 40" Radii
CR90: 18", 32", 44" Radii
CC180: 15"x 28", 28"x 51", 40"x 72"
CR180: 18"x 32", 32"x 56", 44"x 78"

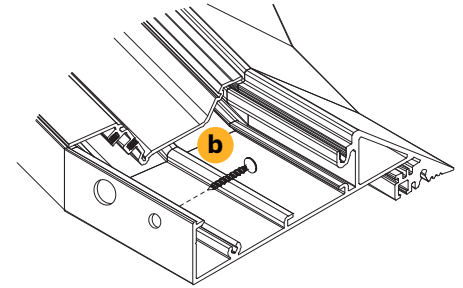
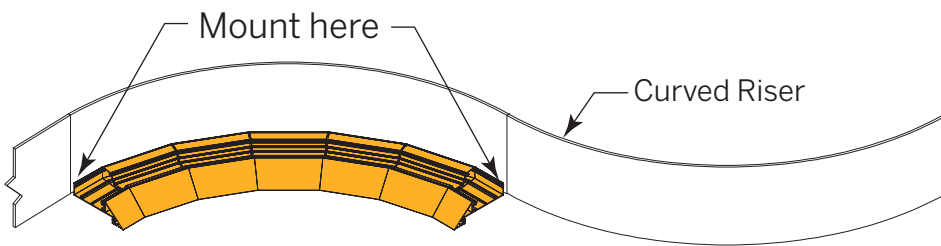
Step 4 - *Install Multi Run Soft Shape - Example*

4/8

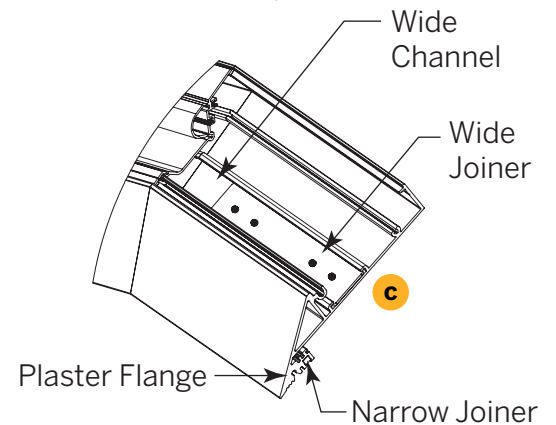
The following shows an example of joining different size arcs and patterns. By their nature, Soft Shapes are considered custom, even when using standard sizes and patterns. Submittal and Record drawings are needed to calculate the number and locations of loose Gear Trays and Drivers.

First Housing - Quarter-Circle - Coffer

- a** Position the **first** Quarter-Circle onto the Curved Riser.



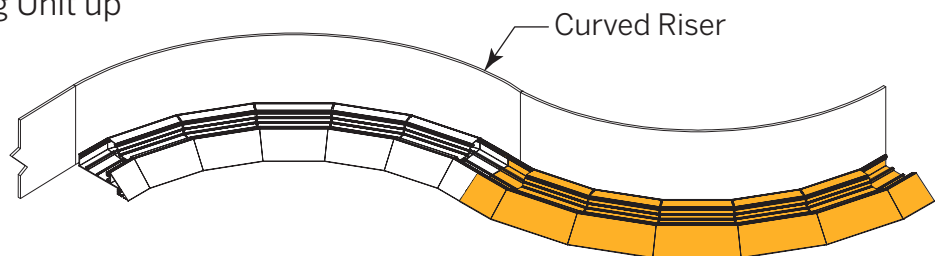
- b** Level and Fasten Housing to Blocking outside Riser. Screws and Anchors supplied by others.
- c** Insert Wide Joiner completely into wide channel at interior bottom of Corner Housing. Set screws face upwards. **Do not** tighten yet.
- d** Insert Narrow Joiner completely into square channel inside Plaster Flange of the Quarter-Circle Housing. Set screws face downward. **Do not** tighten yet.



NOTE: LEDs and Lenses not shown for clarity

Second Housing Quarter-Circle - Raft

- a** Butt Second Quarter-Circle Housing Unit up against First.
- b** Level Housing and Fasten Housing to Blocking outside Riser. Screws and Anchors by others.
- c** Slide Joiners back such that each Joiner spans each Housing. Access Narrow Joiner from bottom of Housing.



Now tighten all Set Screws. Do not overtighten. Overtightening risks deforming Housing surface.

Need Help?

Mini Edgeless Cove

Soft Shapes

WG-MEC

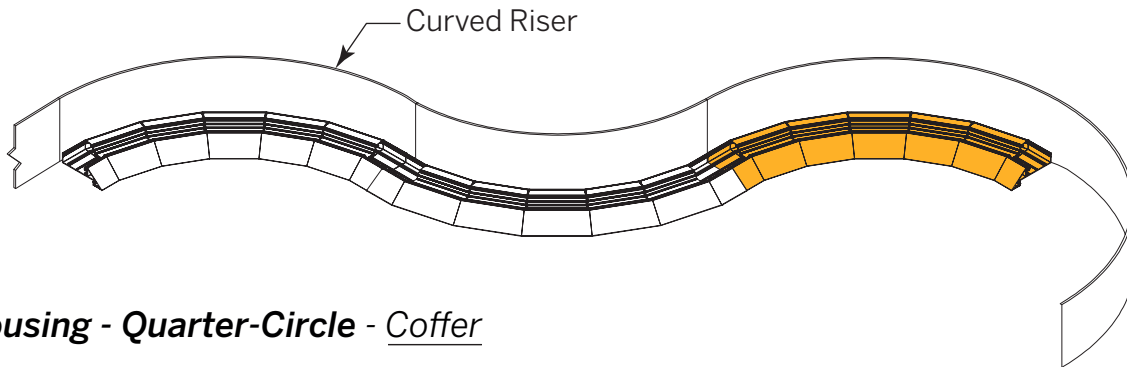
Cove

Recessed Plaster Trim
 CC90: 15", 28", 40" Radii
 CR90: 18", 32", 44" Radii
 CC180: 15"x 28", 28"x 51", 40"x 72"
 CR180: 18"x 32", 32"x 56", 44"x 78"

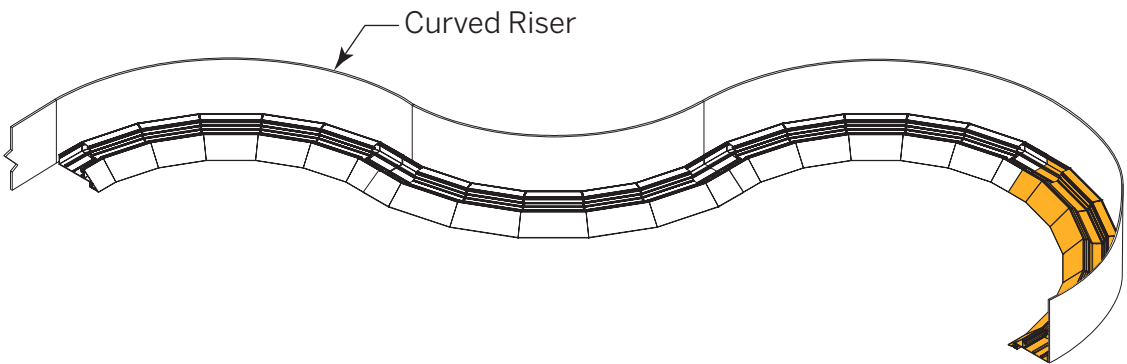
Repeat steps for First & Second Housing for all subsequent Housing in Run.

5/8

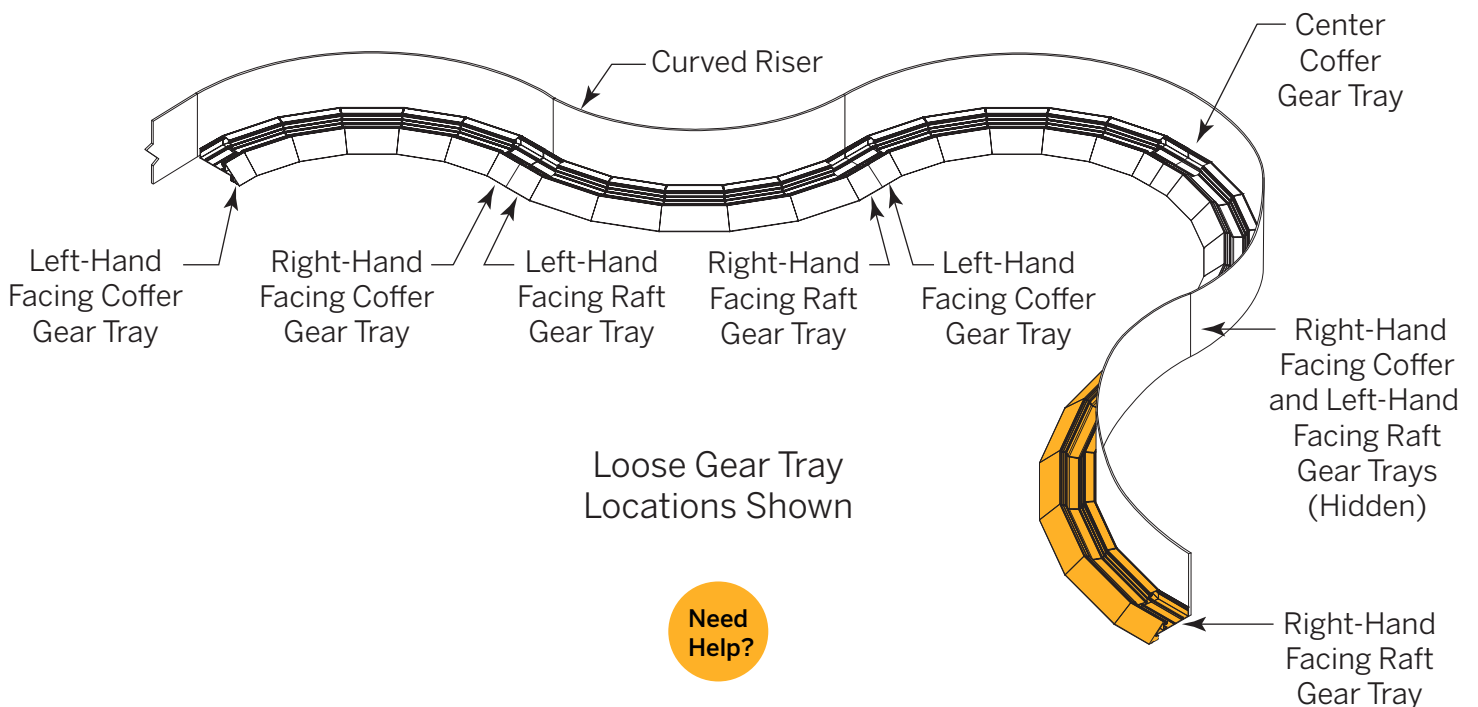
Third Housing - Quarter-Circle - Coffer



Fourth Housing - Quarter-Circle - Coffer



Fifth Housing - Quarter-Circle - Raft



Mini Edgeless Cove

Soft Shapes

WG-MEC

Cove

Recessed Plaster Trim

CC90: 15", 28", 40" Radii

CR90: 18", 32", 44" Radii

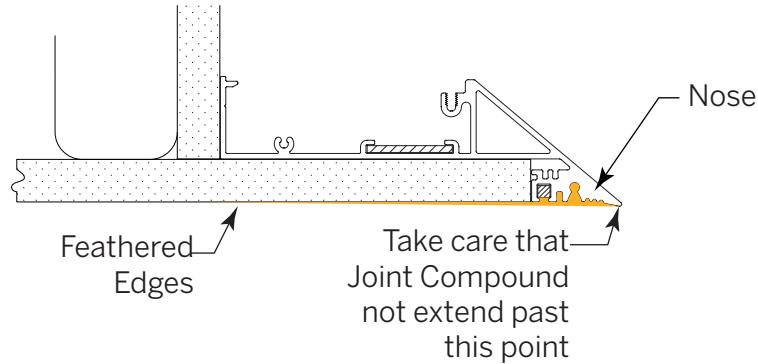
CC180: 15"x 28", 28"x 51", 40"x 72"

CR180: 18"x 32", 32"x 56", 44"x 78"

Step 8 - Apply Joint Compound

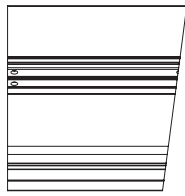
6/8

Apply Joint Compound all around the trim taking care to apply it flush with the Nose of the Housing.



Step 9 - Install Loose Gear Trays & Wire - Coffer

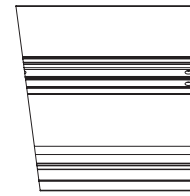
Coffer



Left-Hand Facing

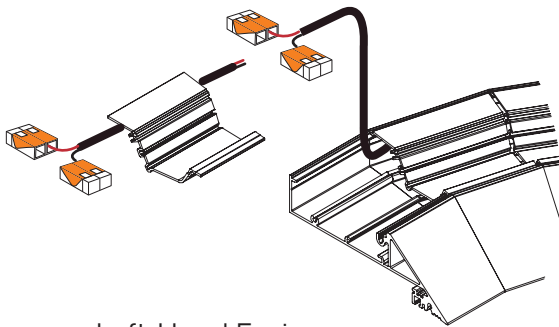


Center

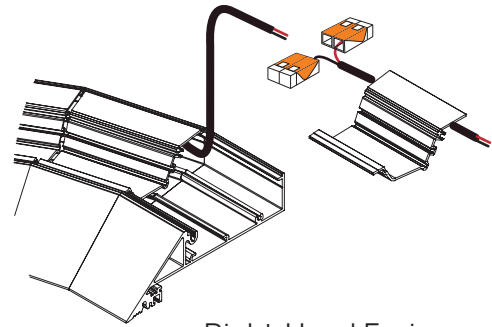


Right-Hand Facing

- a** Right and Left-Hand Facing Gear Trays apply to beginning and end of Run. Connect bare leads of Gear Tray wiring to Wago™ connectors on adjacent Gear Trays.
- b** Fasten Gear Trays to Housing with supplied screws.
- c** Follow substeps **a** and **b** for Center Gear Tray.



Left-Hand Facing



Right-Hand Facing



NOTE: Excess Cable between Gear Trays for illustration only.

Mini Edgeless Cove Soft Corner 90°

WG-MEC

Cove

Recessed Plaster Trim

CC90: 15", 28", 40" Radii

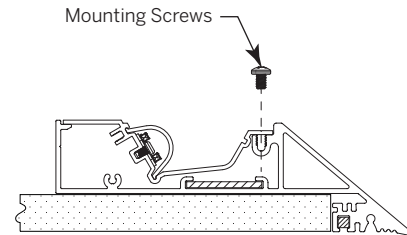
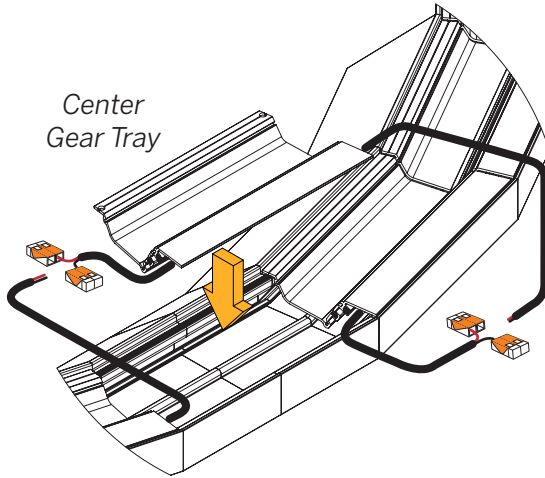
CR90: 18", 32", 44" Radii

CC180: 15"x 28", 28"x 51", 40"x 72"

CR180: 18"x 32", 32"x 56", 44"x 78"

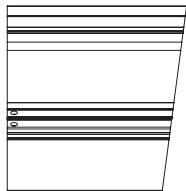
Step 9 - Install Loose Gear Trays & Wire - Coffer (continued)

7/8

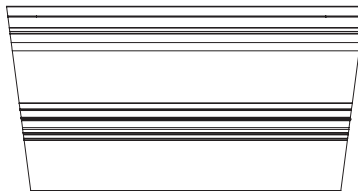


Step 10 - Install Loose Gear Trays & Wire - Raft

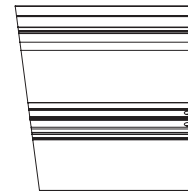
Raft



Left-Hand Facing



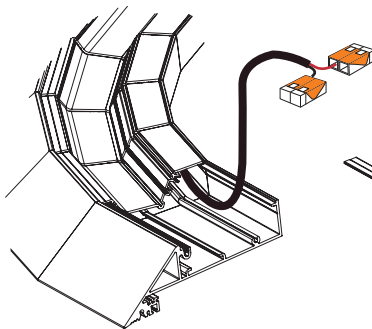
Center



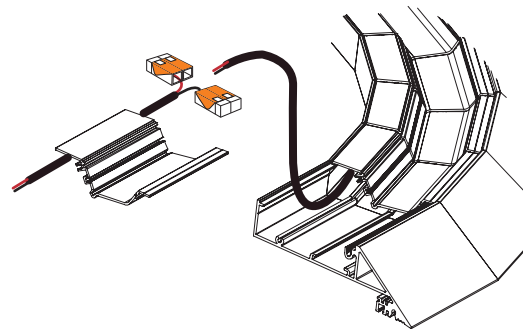
Right-Hand Facing

- a** Begin with the Right and Left Hand Facing Gear Trays. Connect bare leads to adjacent Wago™ connectors.
- b** Fasten Gear Trays to Housing with supplied screws.
- c** Follow substeps **a** and **b** for Center Gear Tray.

NOTE: Excess Cable between Gear Trays for illustration only.



Left-Hand Facing



Right-Hand Facing



Mini Edgeless Cove Soft Corner 90°

WG-MEC

Cove

Recessed Plaster Trim

CC90: 15", 28", 40" Radii

CR90: 18", 32", 44" Radii

CC180: 15"x 28", 28"x 51", 40"x 72"

CR180: 18"x 32", 32"x 56", 44"x 78"

Step 12 - *Install Loose Gear Trays & Wire - Raft* (continued)

8/8

