

# Mini Edgeless Cove Soft Corner 90°

WG-MEC

## Installation Instructions

# Cove

Recessed Plaster Trim  
CC90: 15", 28", 40" Radii  
CR90: 18", 32", 44" Radii

Luminaires must be installed by a qualified electrician. Check with local and national codes for proper installation.



To prevent electrical shock disconnect electrical supply before installation or servicing.

**Never connect to a live driver!!!**

Contractor is responsible for adequately reinforcing walls and/or ceilings to support fixture weight. Provide blocking when necessary.

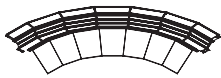
### Step 1 - *Open the Box*

Unpack luminaire units. Each unit consist of **two** major parts: Housing, and Mounted/Pre-Wired Gear Tray with Lens. Remote Drivers and Driver Boxes supplied by Inter-lux.

The Soft Corners come in two patterns (Coffer & Raft) and each in three sizes:

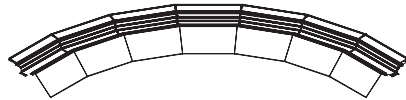
#### **CC90 Corner Coffer 90°** (Inside Corner)

Radii measured to knife edge



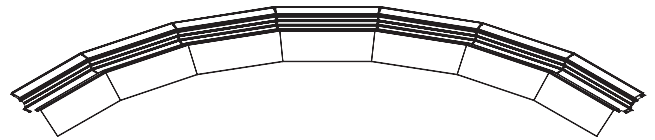
15" Radius

CC90-15



28" Radius

CC90-28



40" Radius

CC90-40

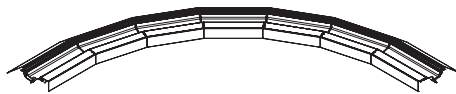
#### **CR90 Corner Raft 90°** (Outside Corner)

Radii measured to back of Housing



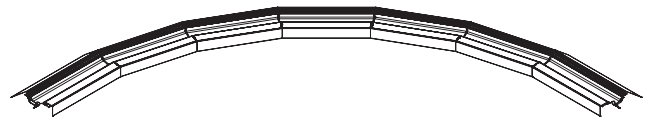
18" Radius

CR90-18



32" Radius

CR90-32



44" Radius

CR90-44

These sizes have been determined based on utilizing full lengths of LED boards in each of the (7) segments that comprise each Corner. Check with factory if specifying non-standard dimensions as there is a risk of inconsistent illumination.

Need  
Help?

# Mini Edgeless Cove Soft Corner 90°

WG-MEC

# Cove

Recessed Plaster Trim  
CC90: 15", 28", 40" Radii  
CR90: 18", 32", 44" Radii

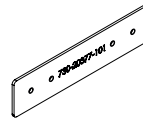
2/9

## Step 1 - **Open the Box** (continued)

Standard Soft Corners come in two patterns and combine with standard Mini Edgeless Cove straight units to form squares and rectangles:

Standard Corner Housings are shipped with Gear Trays mounted and wired, *except* for those on each end of the curve. This is to allow access to inside back to drill Mounting Holes, holes Power Feed(s) and, to insert Mounting Screws (supplied by others).

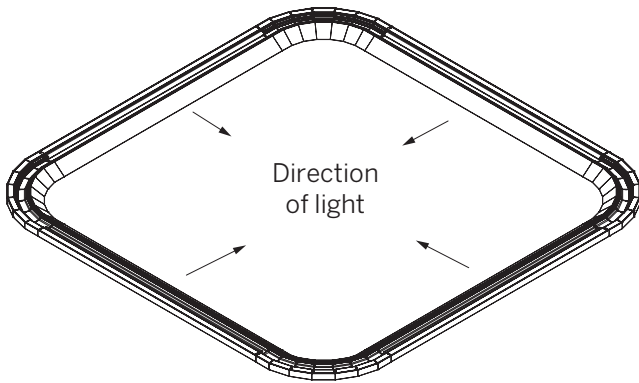
Each Straight and Corner Unit supplied with:



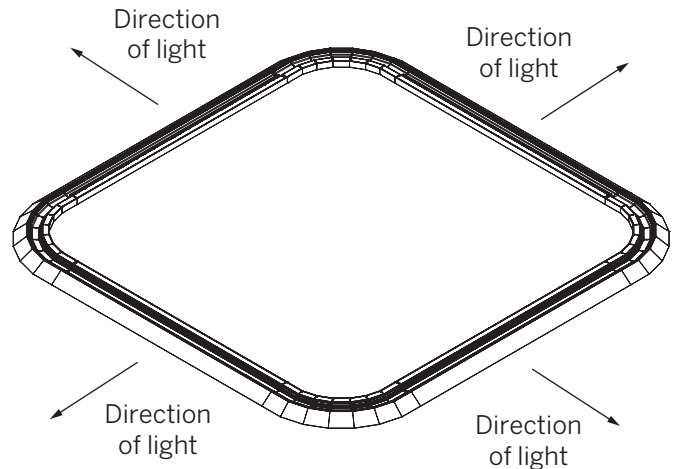
(1) Wide Joiner  
with Set Screws



(1) Narrow Joiner  
with Set Screws



CC90 Corner Coffer 90° (Inside Corner)



CR90 Corner Raft 90° (Outside Corner)

## Installation for Chicago Plenum

To install this fixture consistent with Chicago Plenum requirements, Chicago Plenum-rated conduit and clamp(s), junction box(es), and gasket(s) are supplied by others.



# Mini Edgeless Cove Soft Corner 90°

WG-MEC

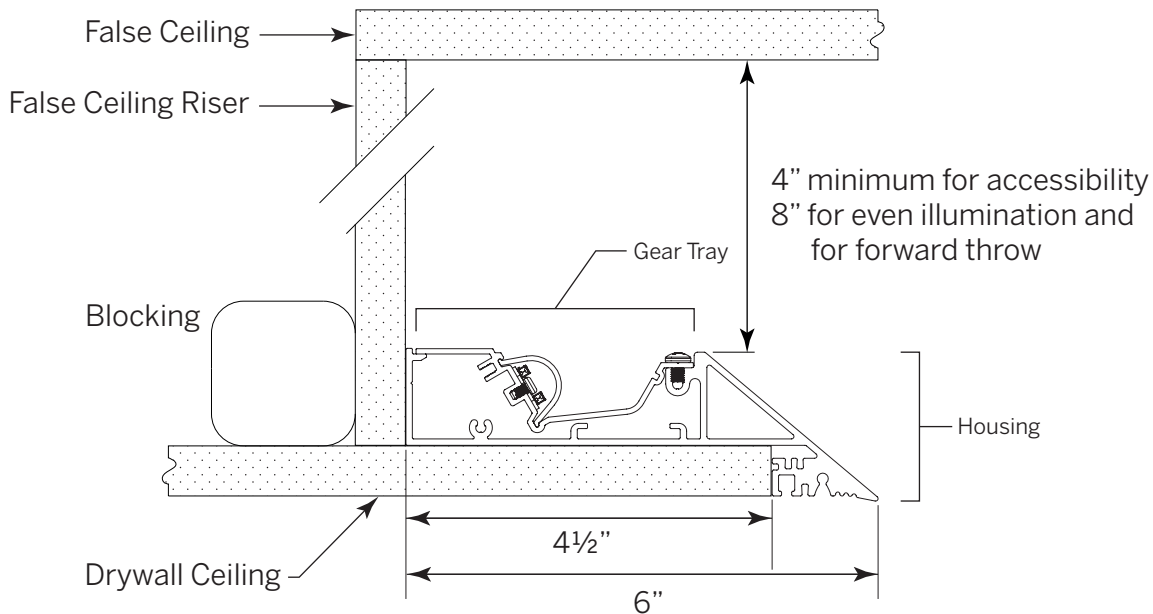
## Cove

Recessed Plaster Trim  
CC90: 15", 28", 40" Radii  
CR90: 18", 32", 44" Radii

3/9

### Step 2 - *Installation Prep*

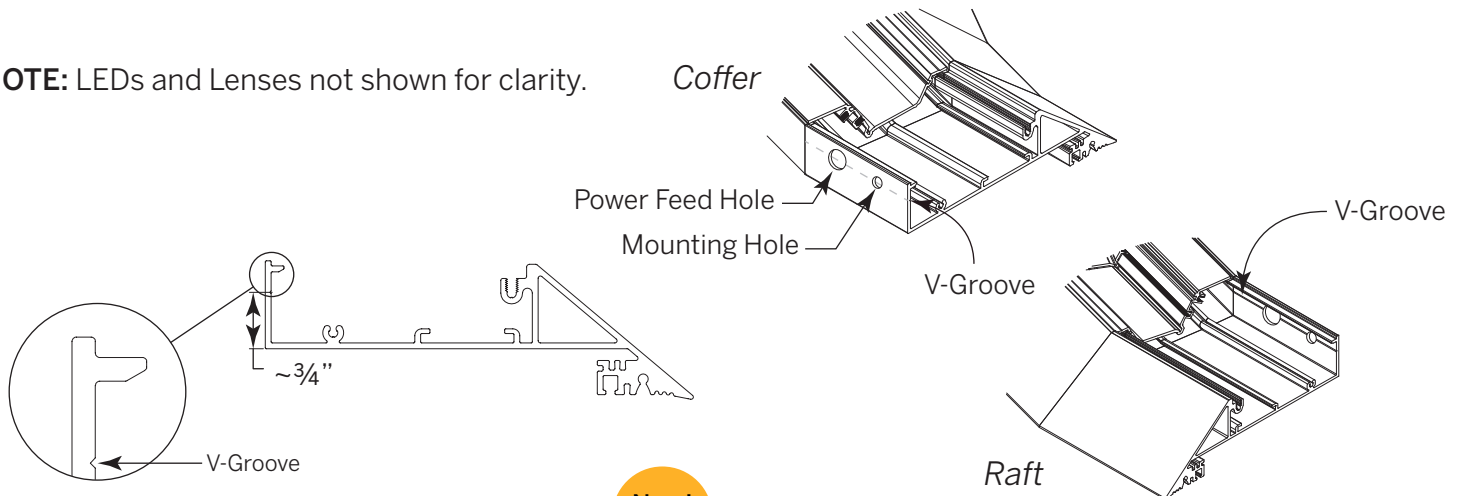
As with the straight section Mini Edgeless Cove, the Soft Corners are fastened to the Riser of a False Ceiling. Construct False Ceiling as shown below.



### Step 3 - *Housing Prep - Coffe & Raft, and Straight Housings*

- a** Drill Mounting Holes in Housing Ends on V-Groove (inside Housing) or approximately  $\frac{3}{4}$ " from bottom (outside Housing) as shown above.
- b** Drill Hole for Power Feed(s), if necessary. Smaller arrangements may have two or more units that can run on a single driver; Larger arrangements may requires a separate driver for each unit.

**NOTE:** LEDs and Lenses not shown for clarity.



Need  
Help?

# Mini Edgeless Cove Soft Corner 90°

WG-MEC

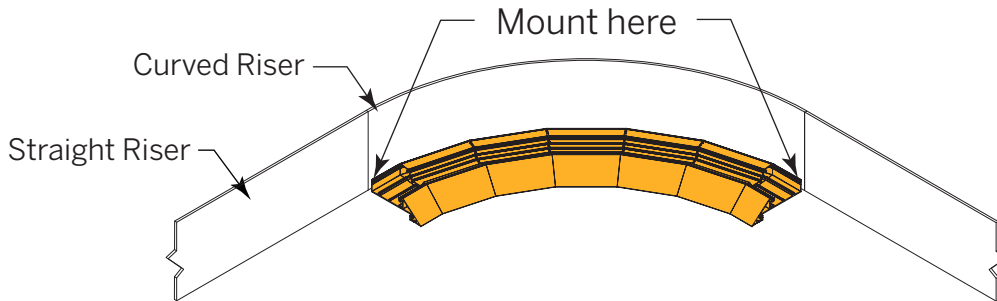
# Cove

Recessed Plaster Trim  
CC90: 15", 28", 40" Radii  
CR90: 18", 32", 44" Radii

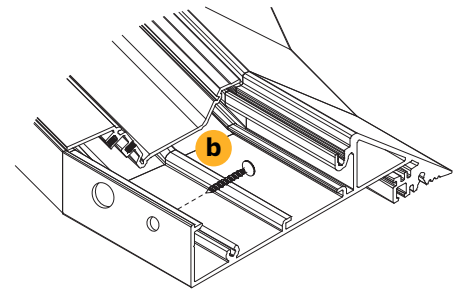
4/9

## Step 4 - *Install First Quarter Soft Corner 90° Housing - Coffer*

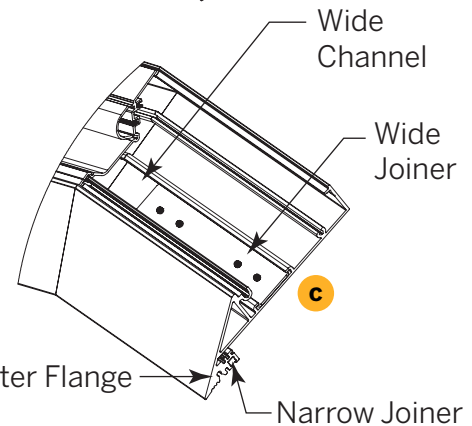
- a** Position the **first** Quarter-Circle onto the Curved Riser.



- b** Level and Fasten Housing to Blocking outside Riser. Screws and Anchors supplied by others.



- c** Insert Wide Joiner completely into wide channel at interior bottom of Corner Housing. Set screws face upwards. **Do not** tighten yet.

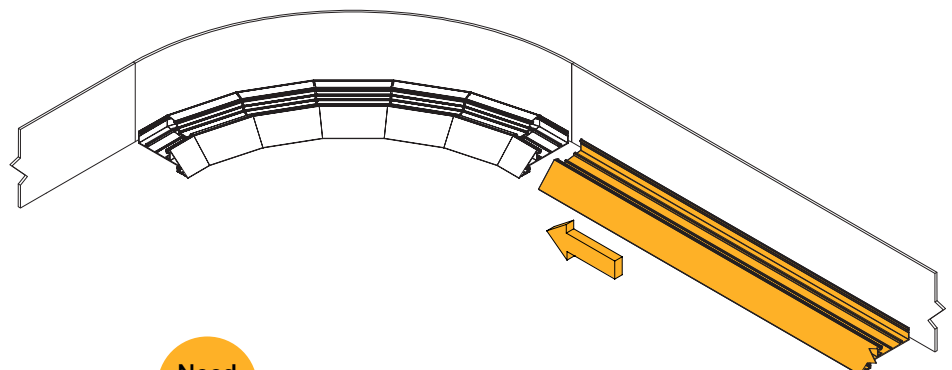


- d** Insert Narrow Joiner completely into square channel inside Plaster Flange of the Quarter-Circle Housing. Set screws face downward. **Do not** tighten yet.

**NOTE:** LEDs and Lenses not shown for clarity

## Step 5 - *Install Straight Housings - Coffer*

- a** Position the **First** Straight Housing onto the Straight Riser.
- b** Butt Straight Housing Unit up against Soft Corner Housing.



- c** Level Housing and Fasten Housing to Blocking outside Riser. Screws and Anchors by others.

Need  
Help?

# Mini Edgeless Cove Soft Corner 90°

WG-MEC

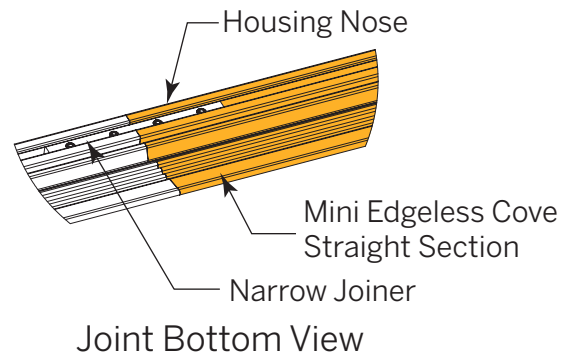
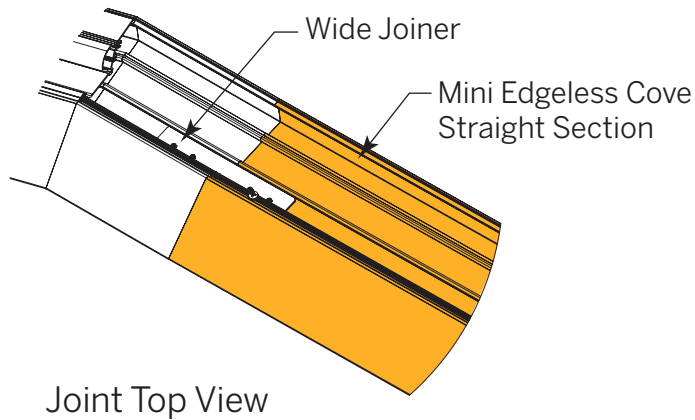
# Cove

Recessed Plaster Trim  
CC90: 15", 28", 40" Radii  
CR90: 18", 32", 44" Radii

5/9

## Step 5 - **Install Straight Housings** - Coffer (continued)

- d** Slide Joiners back such that each Joiner spans each Housing. Access Narrow Joiner from bottom of Housing.

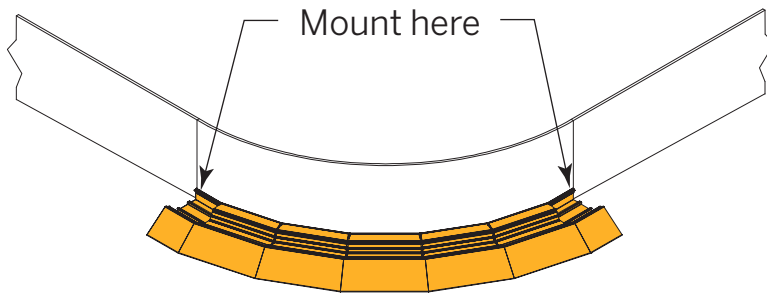


**Now** tighten all Set Screws. Do not overtighten. Overtightening risks deforming Housing surface.

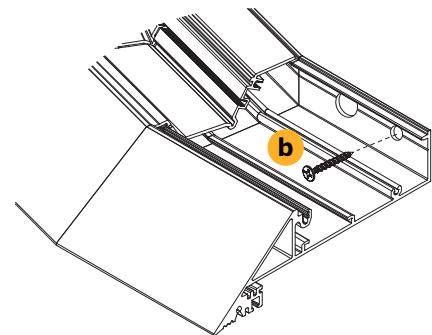
- e** Repeat **Steps 4 & 5** for all other housings in arrangement.

## Step 6 - **Install First Quarter Soft Corner 90° Housing** - Raft

- a** Position the **first** Quarter-Circle onto the Curved Riser.



- b** Level and Fasten Housing to Blocking outside Riser. Screws and Anchors supplied by others.



Need  
Help?

# Mini Edgeless Cove Soft Corner 90°

WG-MEC

## Cove

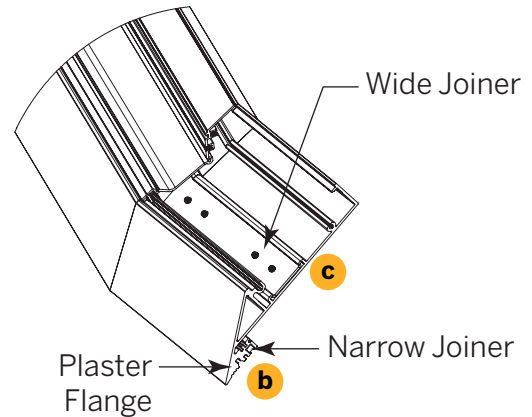
Recessed Plaster Trim  
CC90: 15", 28", 40" Radii  
CR90: 18", 32", 44" Radii

6/9

### Step 6 - **Install First Quarter Soft Corner 90° Housing - Raft** (continued)

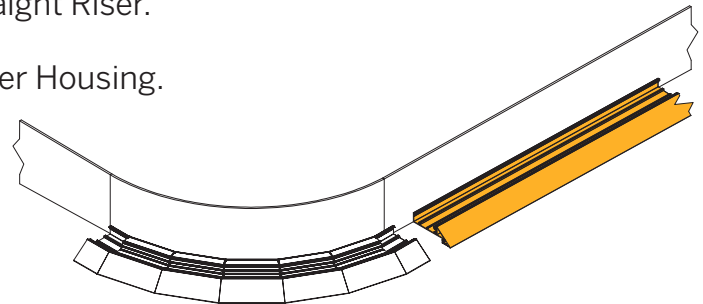
- c** Insert Wide Joiner completely into wide channel at interior bottom of Corner Housing. Set screws face upwards. **Do not** tighten yet.
- d** Insert Narrow Joiner completely into square channel inside Plaster Flange of the Quarter-Circle Housing. Set screws face downward. **Do not** tighten yet.

**NOTE:** LEDs and Lenses not shown for clarity

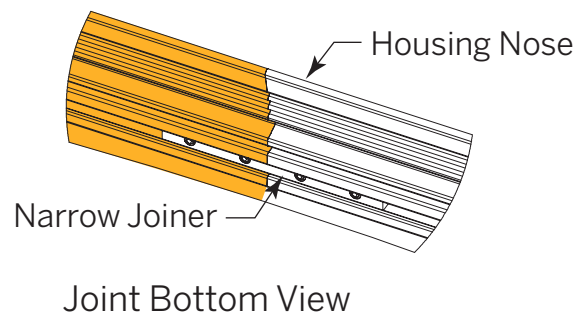
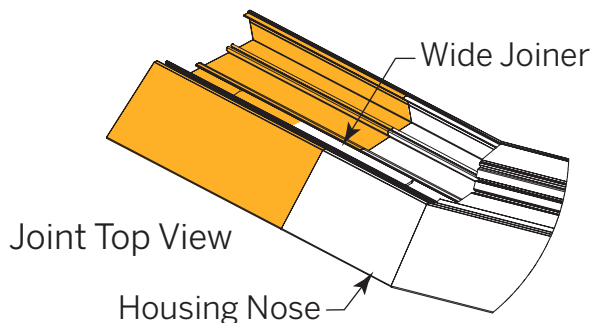


### Step 7 - **Install Straight Housings - Raft**

- a** Position the **First** Straight Housing onto the Straight Riser.
- b** Butt Straight Housing Unit up against Soft Corner Housing.



- c** Level Housing and fasten Housing to Blocking outside Riser. Screws and Anchors by others.
- d** Slide Joiners back such that each Joiner spans each Housing. Access Narrow Joiner from bottom of Housing.



**Now** tighten all Set Screws. Do not overtighten. Overtightening risks deforming Housing surface.

- e** Repeat **Steps 6 & 7** for all other housings in arrangement.

Need  
Help?

# Mini Edgeless Cove Soft Corner 90°

WG-MEC

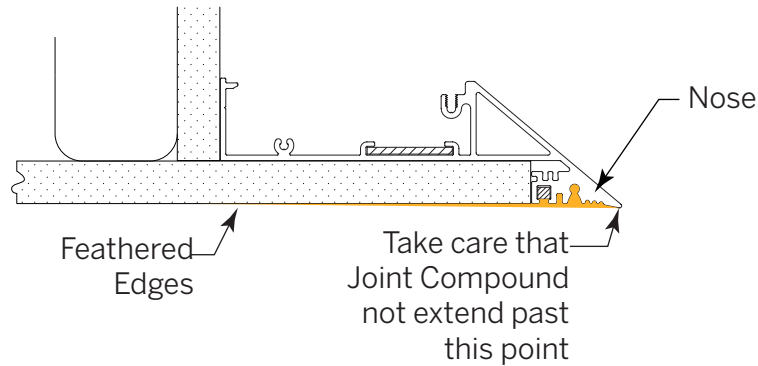
# Cove

Recessed Plaster Trim  
CC90: 15", 28", 40" Radii  
CR90: 18", 32", 44" Radii

7/9

## Step 8 - *Apply Joint Compound*

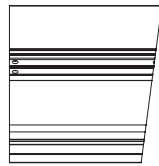
Apply Joint Compound all around the trim taking care to apply it flush with the Nose of the Housing.



## Step 9 - *Install Loose Gear Trays & Wire - Coffer*

- a** Locate the (8) Loose Gear Trays for the (4) Corners. These Gear Trays have two patterns:

### Coffer

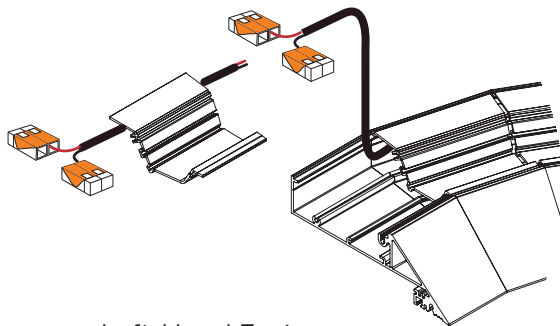


Left-Hand Facing

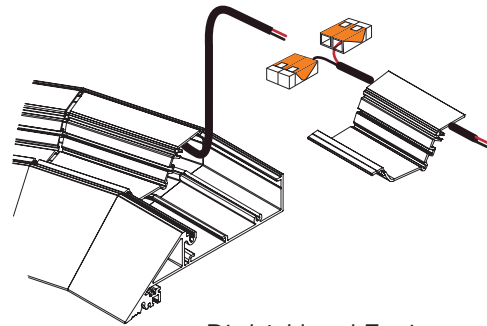


Right-Hand Facing

- b** Each Corner has loose Right and Left-Hand Facing Gear Trays. Connect bare leads of Gear Tray wiring to Wago™ connectors on adjacent Gear Trays.

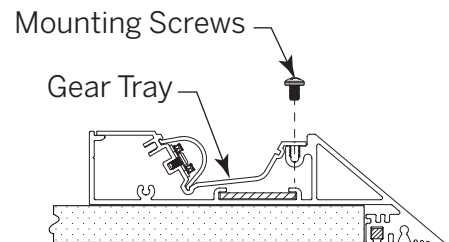


Left-Hand Facing



Right-Hand Facing

- c** Fasten Gear Trays to Housing with supplied Mounting Screws.



**NOTE:** Excess Cable between Gear Trays for illustration only.

Need Help?

# Mini Edgeless Cove Soft Corner 90°

WG-MEC

## Cove

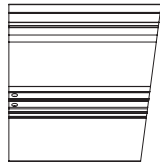
Recessed Plaster Trim  
CC90: 15", 28", 40" Radii  
CR90: 18", 32", 44" Radii

8/9

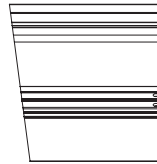
### Step 10 - *Install Loose Gear Trays & Wire - Raft*

- a** Locate the (8) Loose Gear Trays for the (4) Corners. These Gear Trays have three patterns:

**Raft**

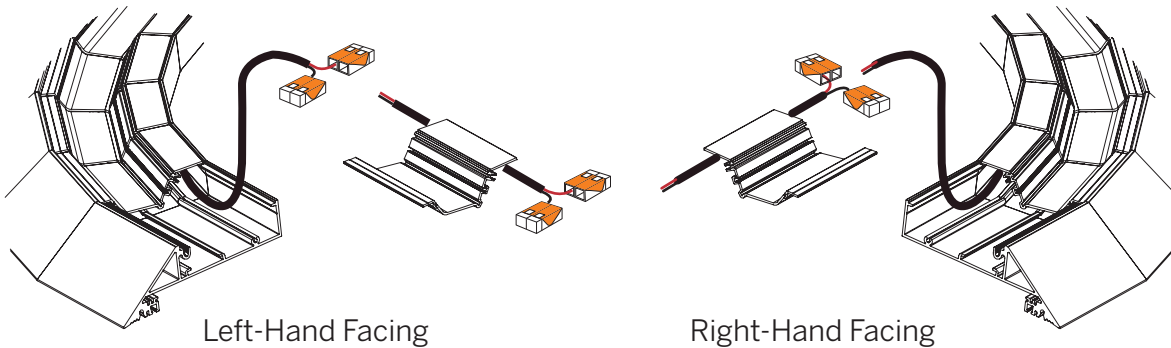


Left-Hand Facing



Right-Hand Facing

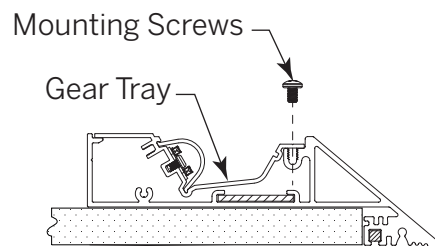
- b** Begin with the Right and Left-Hand Facing Gear Trays. Connect bare leads to adjacent Wago™ connectors.



Left-Hand Facing

Right-Hand Facing

- c** Fasten Gear Trays to Housing with supplied screws.



**NOTE:** Excess Cable between Gear Trays for illustration only.

# Mini Edgeless Cove Soft Corner 90°

WG-MEC

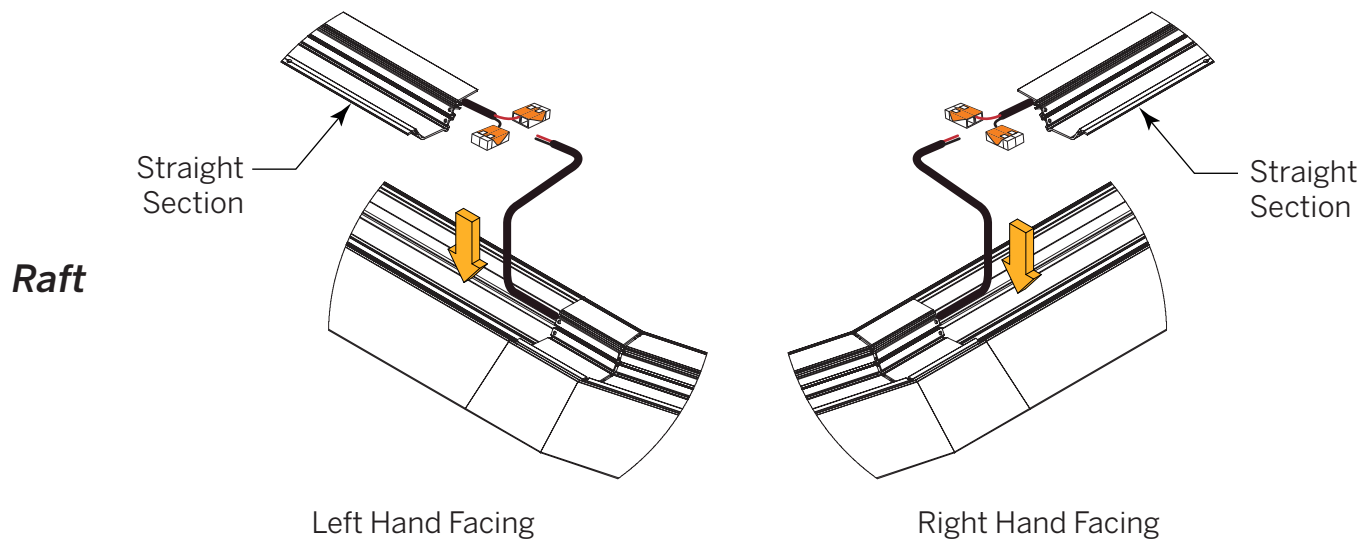
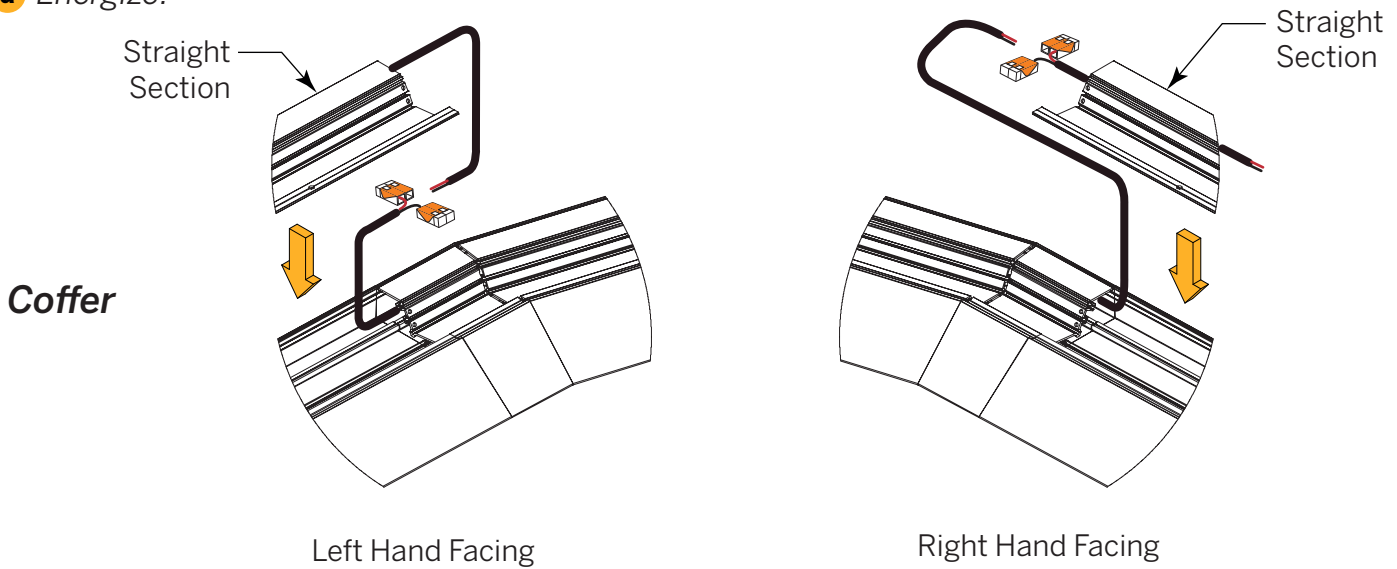
# Cove

Recessed Plaster Trim  
CC90: 15", 28", 40" Radii  
CR90: 18", 32", 44" Radii

9/9

## Step 11 - *Install Gear Trays & Wiring - Straight Sections*

- a** Locate the (4) Straight Gear Trays for the Straight Housings. Lower Straight Gear Tray into Housing and fasten with supplied screws.
- b** Connect bare leads to adjacent Wago™ connectors.
- c** Repeat for remaining Straight Gear Tray.
- d** Energize!



**NOTE:** Excess Cable between Gear Trays for illustration only.