

# Mini Edgeless Cove Soft Corner 180°

WG-MEC

# Cove

Recessed Plaster Trim

CC180: 15" x 28", 28" x 51", 40" x 72"

CR180: 18" x 32", 32" x 56", 44" x 78"

## Installation Instructions

Luminaires must be installed by a qualified electrician. Check with local and national codes for proper installation.



To prevent electrical shock disconnect electrical supply before installation or servicing.

**Never connect to a live driver!!!**

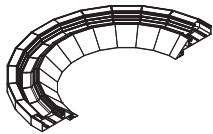
Contractor is responsible for adequately reinforcing walls and/or ceilings to support fixture weight. Provide blocking when necessary.

### Step 1 - *Open the Box*

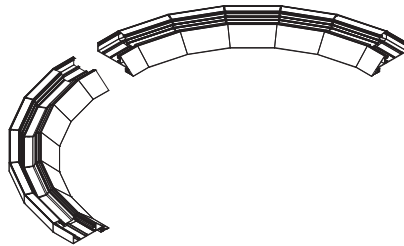
Unpack luminaire units. Each unit consist of **two** major parts: Housing, and Mounted/Pre-Wired Gear Tray with Lens. Remote Drivers and Driver Boxes supplied by Inter-lux.

Standard Soft Corners come in two patterns (Coffer & Raft) and each in three sizes. They combine with standard Mini Edgeless Cove straight units to form racetrack ovals:

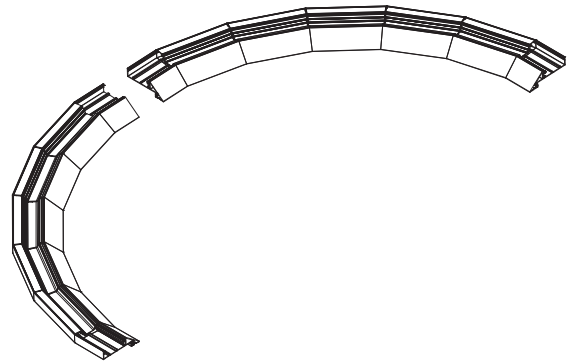
#### CC180 Corner Coffer 180° (Inside Corner)



CC180-1528\*

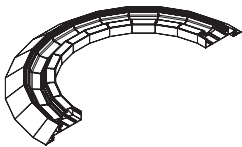


CC180-2851

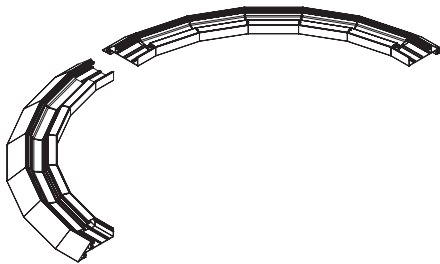


CC180-4072

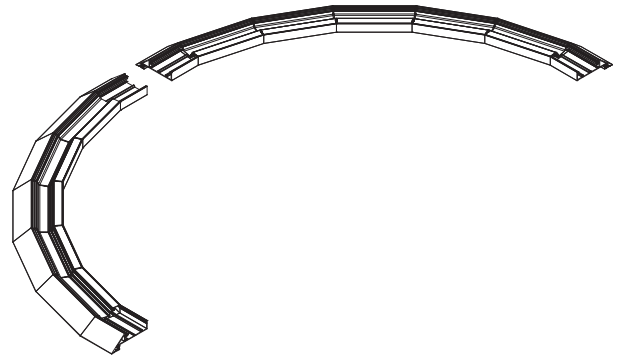
#### CR180 Corner Raft 180° (Outside Corner)



CR180-1832\*



CR180-3256



CR180-4478

\*CC180-1528 and CR180-1832 are supplied as (2) **semicircular** units and assembled on site.

Need  
Help?

# Mini Edgeless Cove Soft Corner 180°

WG-MEC

## Cove

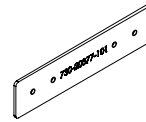
Recessed Plaster Trim  
CC180: 15" x 28", 28" x 51", 40" x 72"  
CR180: 18" x 32", 32" x 56", 44" x 78"

2/11

### Step 1 - **Open the Box** (continued)

These sizes have been determined based on utilizing full lengths of LED boards in each of the (7) segments that comprise each Corner or (13) segments that comprise each Semi-circle. Check with factory if specifying non-standard dimensions, as there may be a risk of inconsistent illumination.

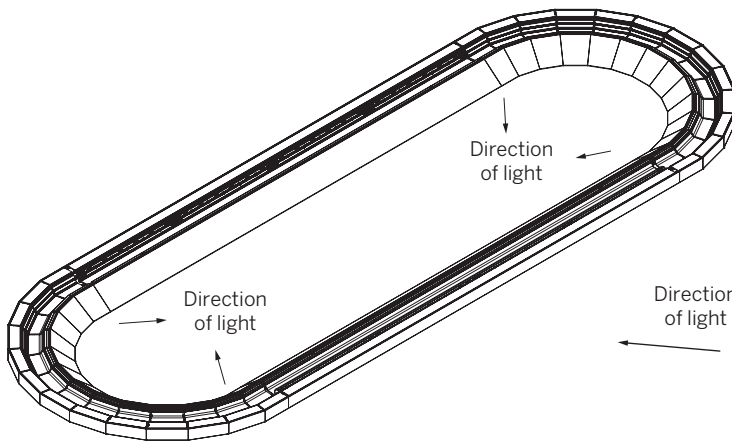
Each Straight and Corner Unit supplied with:



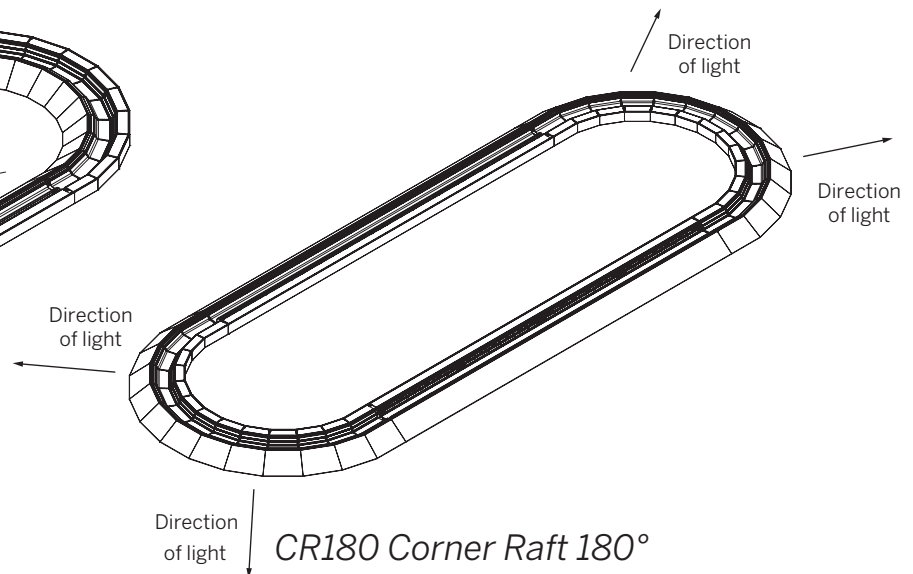
(1) Wide Joiner with Set Screws



(1) Plaster Flange Joiner with Set Screws



CC180 Corner Coffer 180°  
(Inside Corner)



CR180 Corner Raft 180°  
(Outside Corner)

### Installation for Chicago Plenum

To install this fixture consistent with Chicago Plenum requirements, Chicago Plenum-rated conduit and clamp(s), junction box(es), and gasket(s) are supplied by others.



# Mini Edgeless Cove Soft Corner 180°

WG-MEC

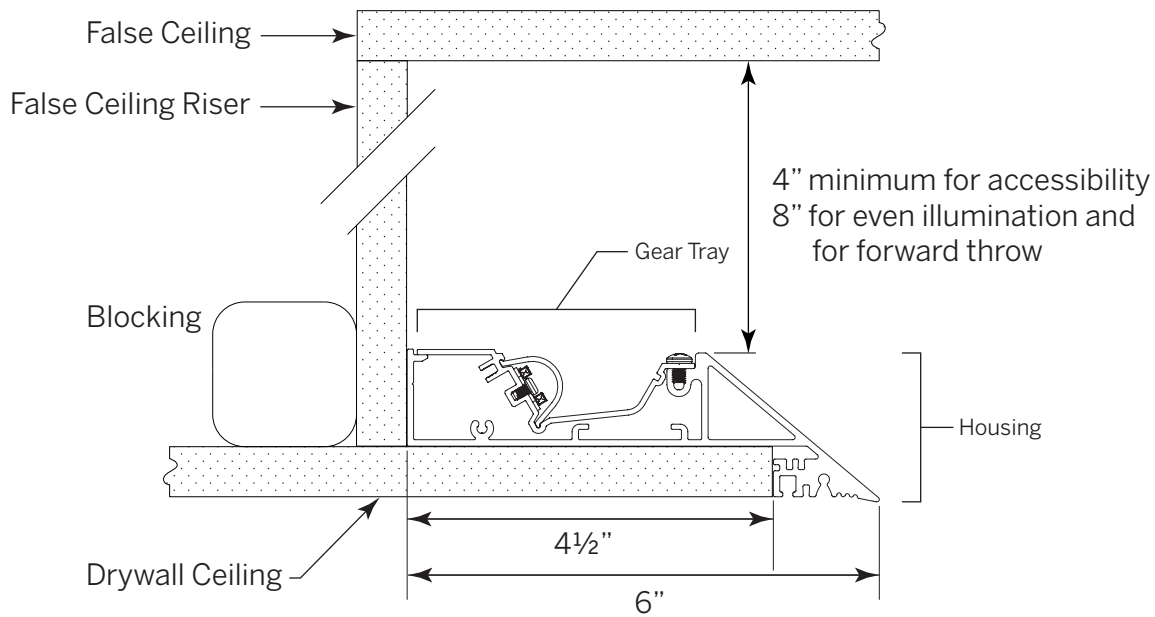
# Cove

Recessed Plaster Trim  
CC180: 15" x 28", 28" x 51", 40" x 72"  
CR180: 18" x 32", 32" x 56", 44" x 78"

3/11

## Step 2 - Installation Prep

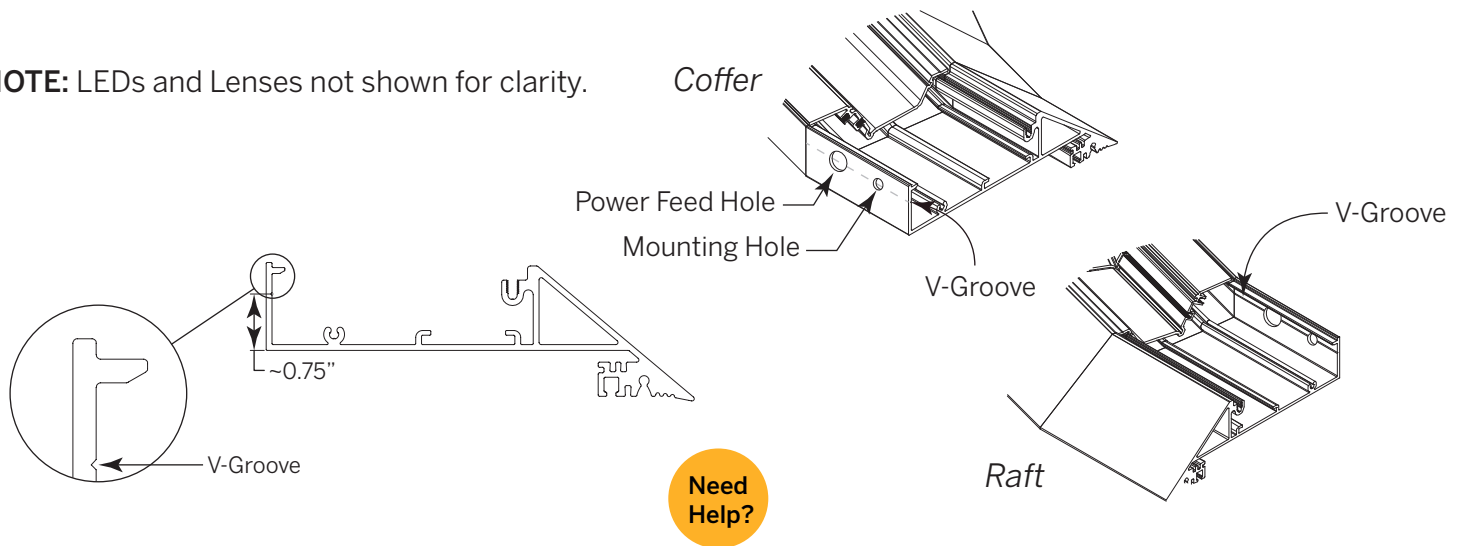
As with the straight section Mini Edgeless Cove, the Soft Corners are fastened to the Riser of a False Ceiling. Construct False Ceiling as shown below.



## Step 3 - Housing Prep - Coffe & Raft, and Straight Housings

- Drill Mounting Holes in Housing Ends on V-Groove (inside Housing) or approximately 0.75" from bottom (outside Housing) as shown above.
- Drill Hole for Power Feed(s), if necessary. Smaller arrangements may have two or more units that can run on a single driver; Larger arrangements may requires a separate driver for each unit.

**NOTE:** LEDs and Lenses not shown for clarity.



Need Help?

# Mini Edgeless Cove Soft Corner 180°

WG-MEC

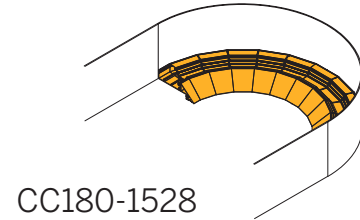
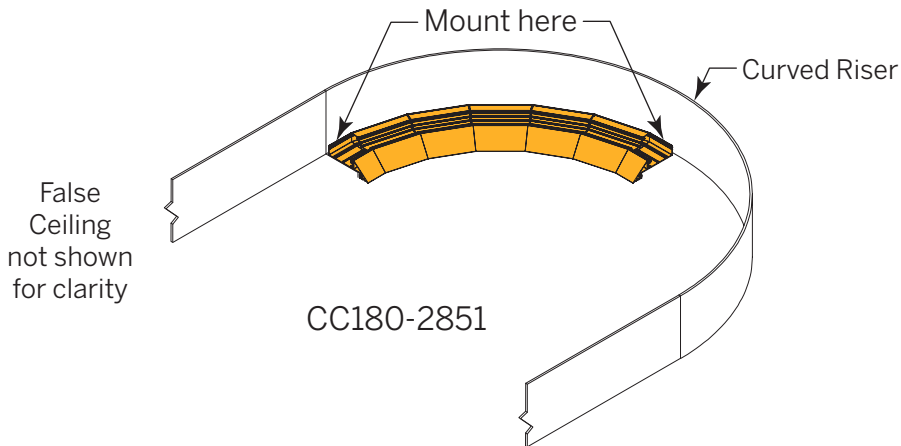
## Cove

Recessed Plaster Trim  
CC180: 15" x 28", 28" x 51", 40" x 72"  
CR180: 18" x 32", 32" x 56", 44" x 78"

4/11

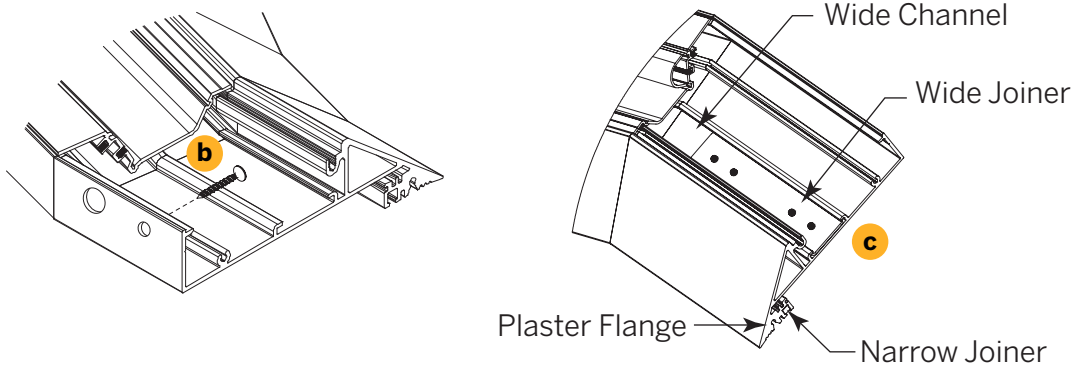
### Step 4 - *Install First Quarter Soft Corner - Coffe*

- a** Position the *first* Quarter-Circle\* onto the Curved Riser.



\*CC180-1528 installs as a single semicircular unit. Continue below and Skip to **Step 6**.

- b** Level and Fasten Housing to Blocking outside Riser. Screws and Anchors supplied by others.
- c** Insert Wide Joiner completely into wide channel at interior bottom of Corner Housing. Set screws face upwards. **Do not** tighten yet.



- d** Insert Narrow Joiner completely into square channel inside Plaster Flange of the Quarter-Circle Housing. Set screws face downward. **Do not** tighten yet.

**NOTE:** LEDs and Lenses not shown for clarity

Need  
Help?

# Mini Edgeless Cove Soft Corner 180°

WG-MEC

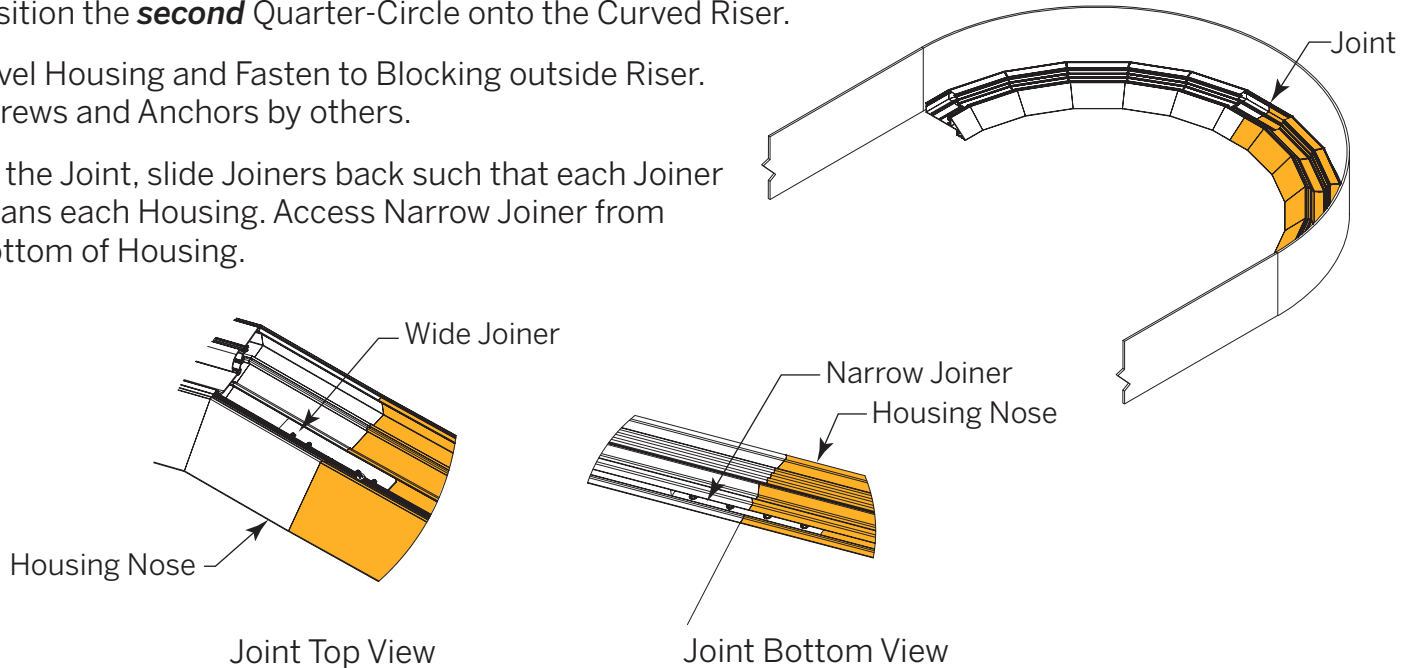
## Cove

Recessed Plaster Trim  
CC180: 15" x 28", 28" x 51", 40" x 72"  
CR180: 18" x 32", 32" x 56", 44" x 78"

5/11

### Step 5 - *Install Second Quarter Soft Corner - Coffe*

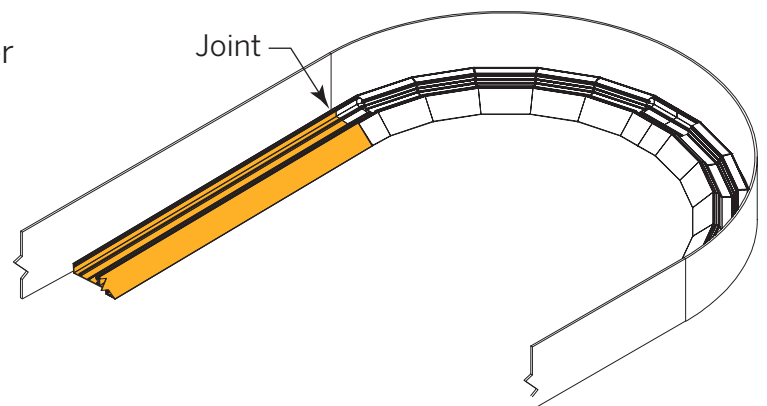
- a** Position the **second** Quarter-Circle onto the Curved Riser.
- b** Level Housing and Fasten to Blocking outside Riser. Screws and Anchors by others.
- c** At the Joint, slide Joiners back such that each Joiner spans each Housing. Access Narrow Joiner from bottom of Housing.



**Now** tighten Set Screws on Wide and Narrow Joiners. Do not overtighten. Overtightening risks deforming Housing surface.

### Step 6 - *Install First Straight Housings - Coffe*

- a** Position the **First** Straight Housing onto the Straight Riser.
- b** Butt Straight Housing Unit up against Soft Corner Housing.
- c** Level Housing and Fasten Housing to Blocking outside Riser. Screws and Anchors by others.
- d** As in **Step 5**, slide Joiners back such that each Joiner spans each Housing. Access Narrow Joiner from bottom of Housing.



**Now** tighten all Set Screws. Do not overtighten. Overtightening risks deforming Housing surface.

- e** Repeat **Steps 4 to 6** for remaining housings in arrangement.

Need  
Help?

# Mini Edgeless Cove Soft Corner 180°

WG-MEC

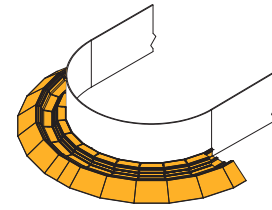
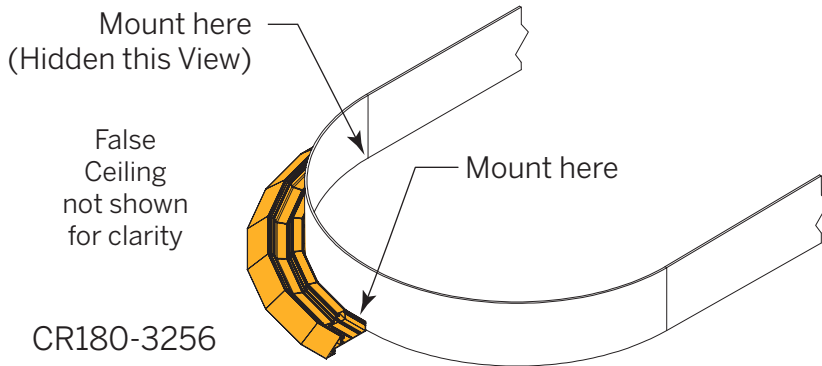
## Cove

Recessed Plaster Trim  
CC180: 15" x 28", 28" x 51", 40" x 72"  
CR180: 18" x 32", 32" x 56", 44" x 78"

6/11

### Step 7 - *Install First Quarter Soft Corner - Raft*

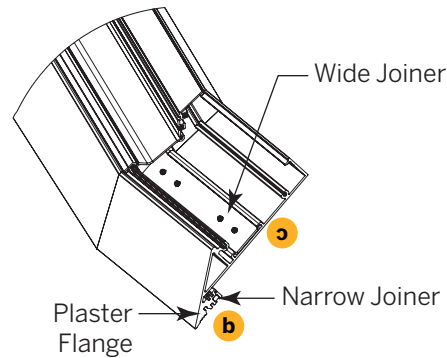
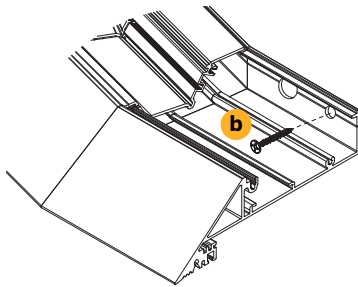
- a** Position the **first** Quarter-Circle\* onto the Curved Riser.



CR180-1832

\*CR180-1832 installs as a single semicircular unit. Continue below and Skip to **Step 9**.

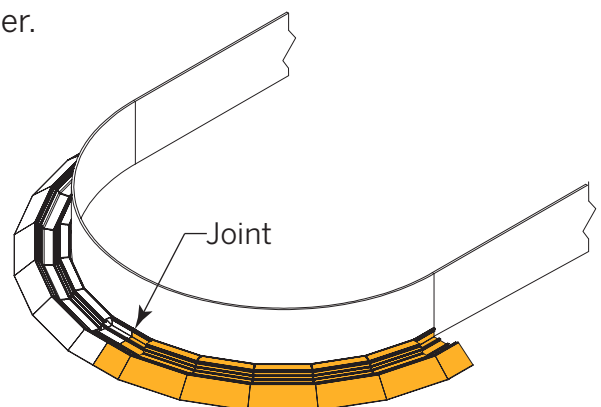
- b** Level and Fasten Housing to Blocking outside Riser. Screws and Anchors supplied by others.
- c** Insert Wide Joiner completely into wide channel at interior bottom of Corner Housing. Set screws face upwards. **Do not** tighten yet.



- d** Insert Narrow Joiner completely into square channel inside Plaster Flange of the Quarter-Circle Housing. Set screws face downward. **Do not** tighten yet.

### Step 8 - *Install Second Quarter Soft Corner - Raft*

- a** Position the **second** Quarter-Circle onto the Curved Riser.
- b** Level Housing and Fasten to Blocking outside Riser. Screws and Anchors by others.
- c** At the Joint, slide Joiners back such that each Joiner spans each Housing. Access Narrow Joiner from bottom of Housing.



**NOTE:** LEDs and Lenses not shown for clarity

Need  
Help?

# Mini Edgeless Cove Soft Corner 180°

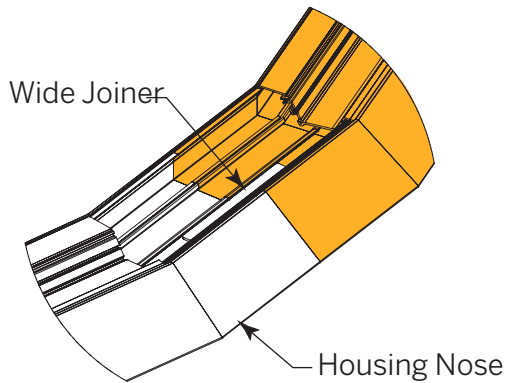
WG-MEC

## Cove

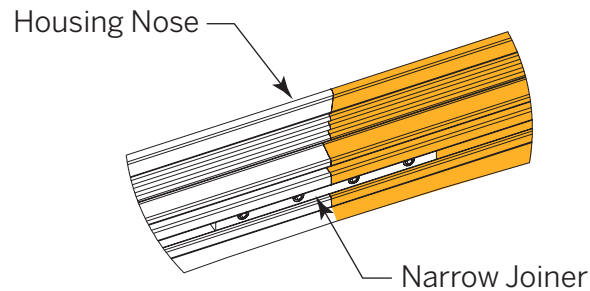
Recessed Plaster Trim  
CC180: 15" x 28", 28" x 51", 40" x 72"  
CR180: 18" x 32", 32" x 56", 44" x 78"

7/11

### Step 8 - *Install Second Quarter Soft Circle - Raft* (continued)



Joint Top View

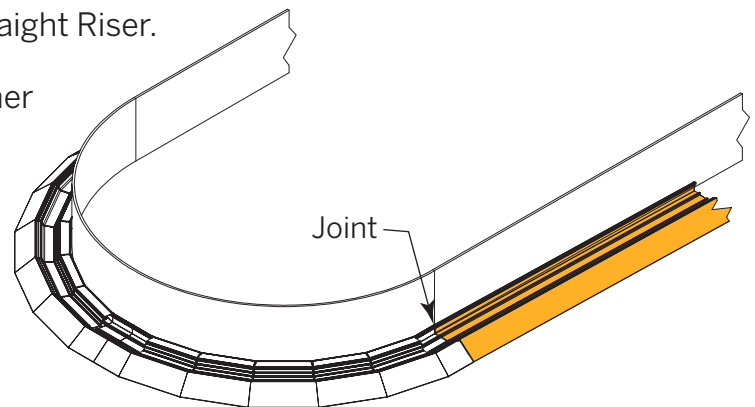


Joint Bottom View

**Now** tighten Set Screws on Wide and Narrow Joiners. Do not overtighten. Overtightening risks deforming Housing surface.

### Step 9 - *Install First Straight Housings - Raft*

- a** Position the **First** Straight Housing onto the Straight Riser.
- b** Butt Straight Housing Unit up against Soft Corner Housing.
- c** Level Housing and Fasten Housing to Blocking outside Riser. Screws and Anchors by others.
- d** As in **Step 5**, slide Joiners back such that each Joiner spans each Housing. Access Narrow Joiner from bottom of Housing.



**Now** tighten all Set Screws. Do not overtighten. Overtightening risks deforming Housing surface.

- e** Repeat **Steps 7 to 9** for remaining housings in arrangement.

Need  
Help?

# Mini Edgeless Cove Soft Corner 180°

WG-MEC

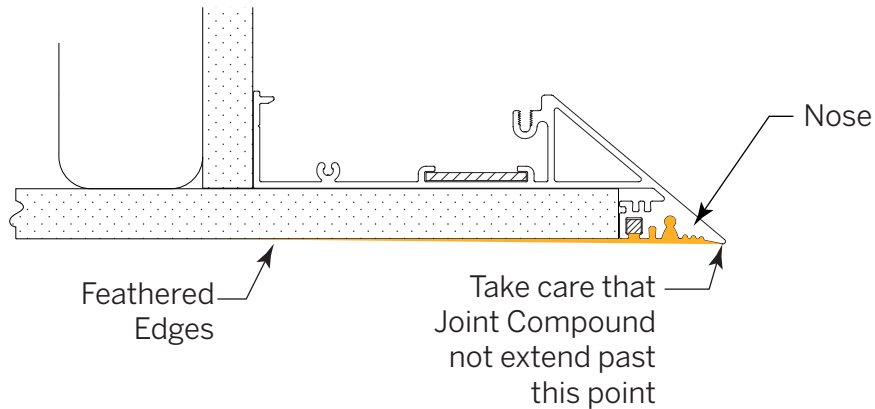
# Cove

Recessed Plaster Trim  
CC180: 15" x 28", 28" x 51", 40" x 72"  
CR180: 18" x 32", 32" x 56", 44" x 78"

8/11

## Step 10 - *Apply Joint Compound*

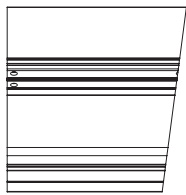
Apply Joint Compound all around the trim taking care to apply it flush with the Nose of the Housing.



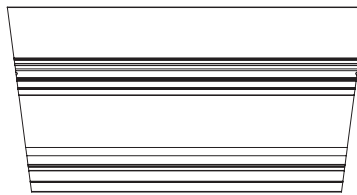
## Step 11 - *Install Loose Gear Trays & Wire - Coffer*

- a** Locate the (6) Loose Gear Trays for the (2) semi-circles. These Gear Trays have three patterns:

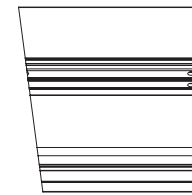
### Coffer



Left-Hand Facing



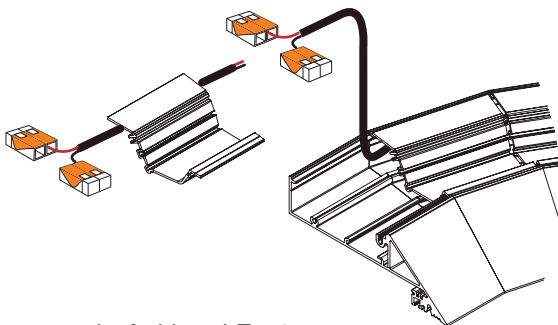
Center



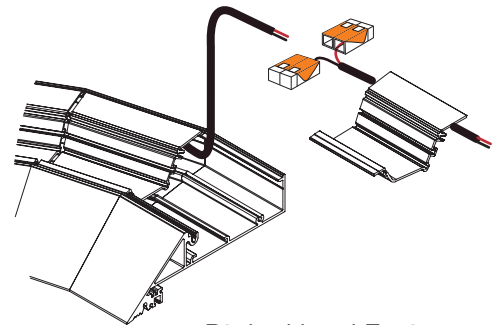
Right-Hand Facing

- b** Begin with the Right- and Left-Hand Facing Gear Trays. Connect bare leads of Gear Tray wiring to Wago™ connectors on adjacent Gear Trays.
- c** Fasten Gear Trays to Housing with supplied screws.
- d** Repeat substeps **b** and **c** for Center Gear Tray.

**NOTE:** Excess Cable between Gear Trays for illustration only.



Left-Hand Facing



Right-Hand Facing



# Mini Edgeless Cove Soft Corner 180°

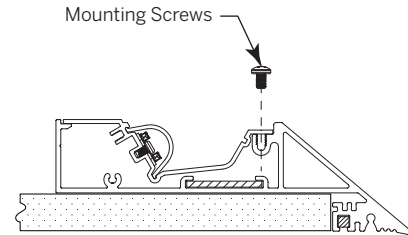
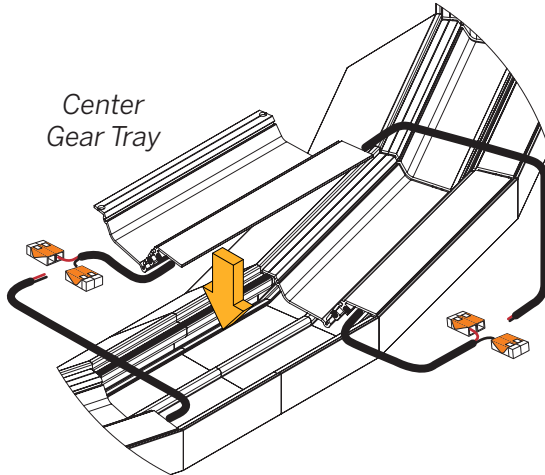
WG-MEC

# Cove

Recessed Plaster Trim  
CC180: 15" x 28", 28" x 51", 40" x 72"  
CR180: 18" x 32", 32" x 56", 44" x 78"

9/11

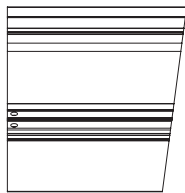
## Step 11 - Install Loose Gear Trays & Wire - Coffer (continued)



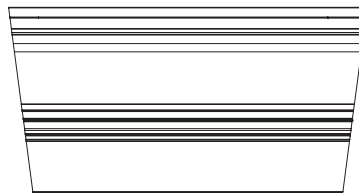
## Step 12 - Install Loose Gear Trays & Wire - Raft

- a** Locate the (6) Loose Gear Trays for the (2) semi-circles. These Gear Trays have three patterns:

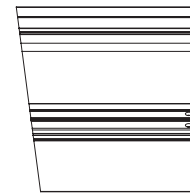
### Raft



Left-Hand Facing

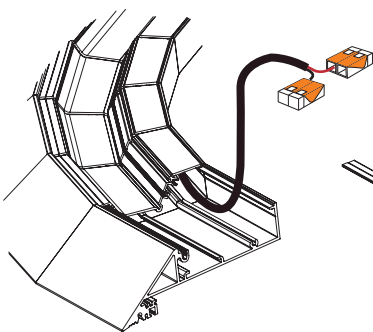


Center

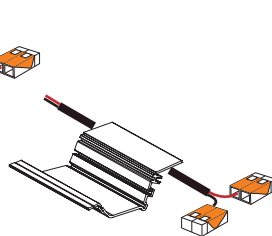


Right-Hand Facing

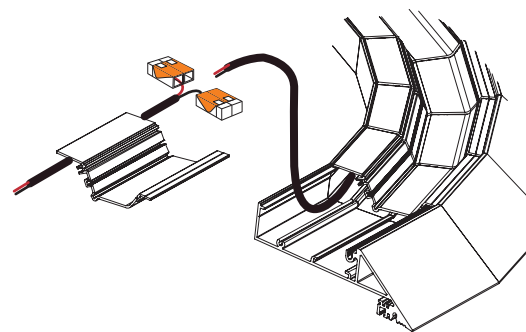
- b** Begin with the Right and Left Hand Facing Gear Trays. Connect bare leads to adjacent Wago™ connectors.
- c** Fasten Gear Trays to Housing with supplied screws.
- d** Repeat substeps **b** and **c** for Center Gear Tray.
- NOTE:** Excess Cable between Gear Trays for illustration only.



Left Hand-Facing



Need  
Help?



Right-Hand Facing

# Mini Edgeless Cove Soft Corner 180°

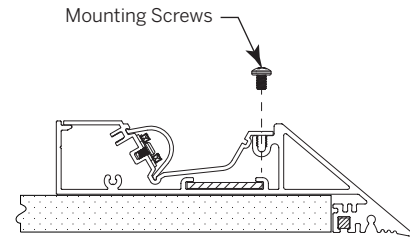
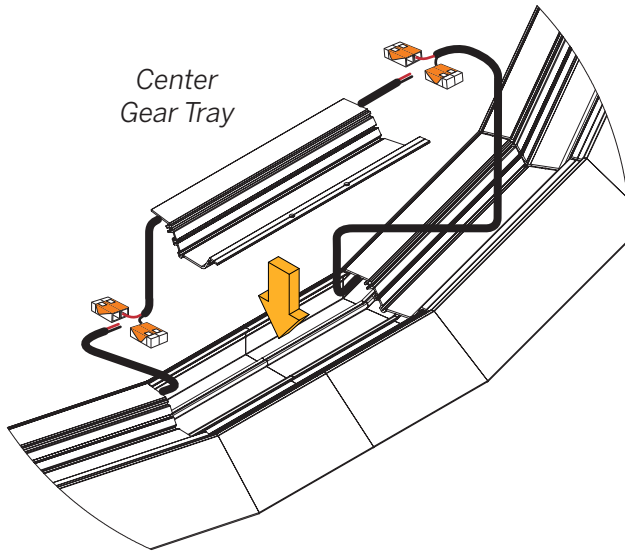
WG-MEC

# Cove

Recessed Plaster Trim  
CC180: 15" x 28", 28" x 51", 40" x 72"  
CR180: 18" x 32", 32" x 56", 44" x 78"

10/11

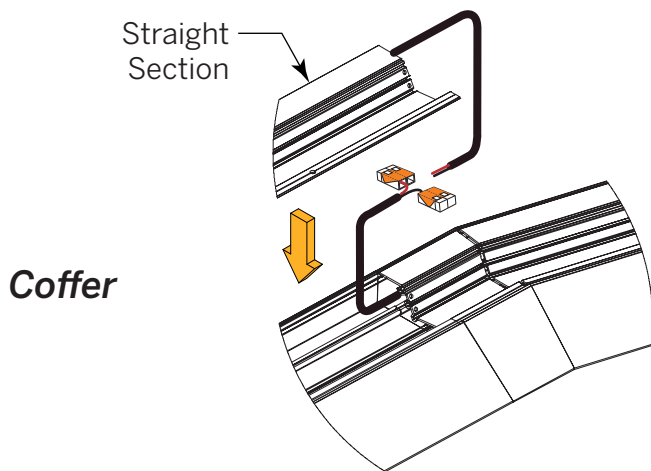
## Step 12 - *Install Loose Gear Trays & Wire - Raft* (continued)



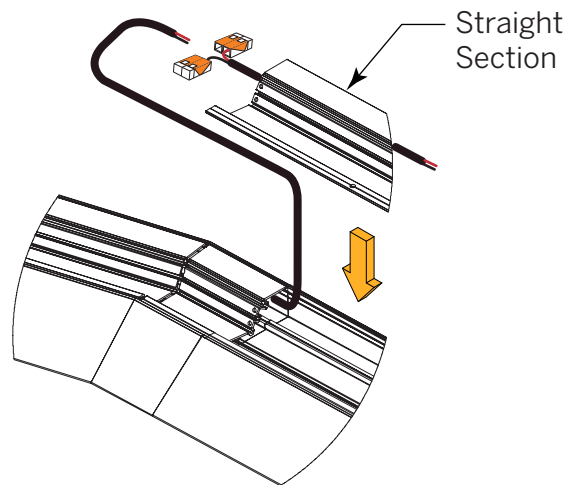
## Step 13 - *Install Gear Trays & Wiring - Straight Sections*

- a** Locate the (2) Straight Gear Trays for the Straight Housings. Lower Straight Gear Tray into Housing and fasten with supplied screws.
- b** Connect bare leads to adjacent Wago™ connectors.
- c** Repeat for remaining Straight Gear Tray.
- d** Energize!

**NOTE:** Excess Cable between Gear Trays for illustration only.



Left-Hand Facing



Right-Hand Facing



# Mini Edgeless Cove Soft Corner 180°

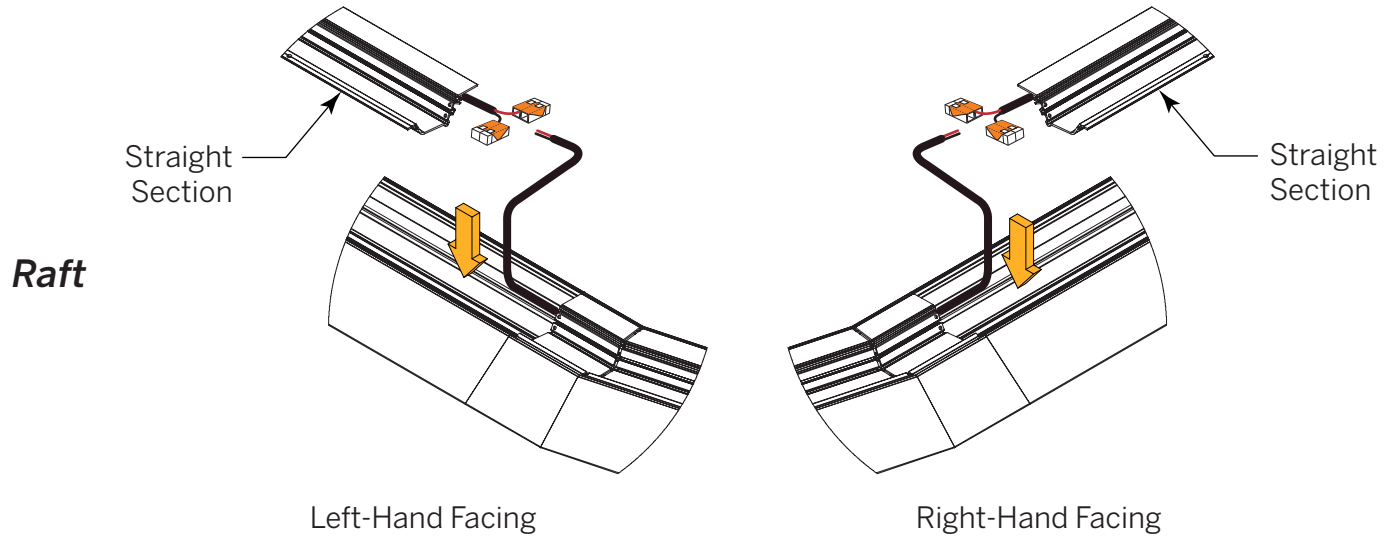
WG-MEC

# Cove

Recessed Plaster Trim  
CC180: 15" x 28", 28" x 51", 40" x 72"  
CR180: 18" x 32", 32" x 56", 44" x 78"

11/11

## Step 13 - *Install Gear Trays & Wiring - Straight Sections (continued)*



**NOTE:** Excess Cable between Gear Trays for illustration only.