

Mini Edgeless Cove Soft Circle 360°

WG-MEC-SCC360

WG-MEC-SCR360

Cove

Recessed Plaster Trim
SCC360: Ø28", Ø51", Ø72"
SCR360: Ø32", Ø56", Ø78"

Installation Instructions

Luminaires must be installed by a qualified electrician. Check with local and national codes for proper installation.



To prevent electrical shock disconnect electrical supply before installation or servicing.

Never connect to a live driver!!!

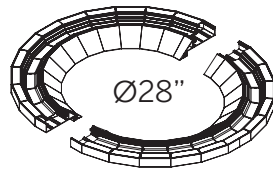
Contractor is responsible for adequately reinforcing walls and/or ceilings to support fixture weight. Provide blocking when necessary.

Step 1 - *Open the Box*

Unpack luminaire units. Each unit consist of **two** major parts: Housing and Mounted/Pre-Wired Gear Tray with Lens. Remote Drivers and Driver Boxes supplied by Inter-lux.

Standard Soft Circles come in two patterns (Coffer & Raft), and each in three sizes. The larger sizes are shipped in quarter-circles and are assembled on site:

Coffer



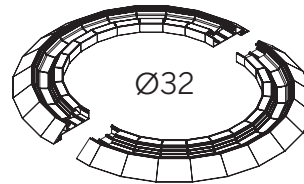
Ø28"

SCC-28*



(2) Loose Gear Trays

Raft



Ø32

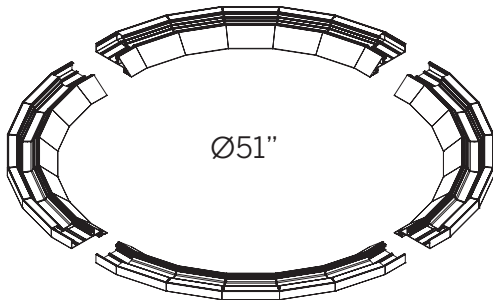
SCR-32*



(2) Loose Gear Trays

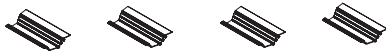
*SCC360-28 and SCR360-32 are supplied as (2) **semicircular** units and assembled on site.

Coffer



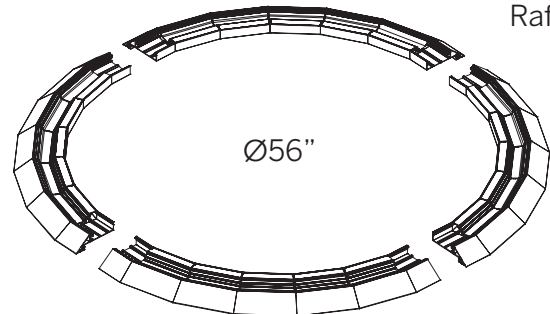
Ø51"

SCC-51



(4) Loose Gear Trays

Raft



Ø56"

SCR-56



(4) Loose Gear Trays

Standard Corner Housings are shipped with Gear Trays mounted and wired, *except* for those on each end of the curve. This is to allow access to inside back to drill Mounting Holes, holes Power Feed(s) and, to insert Mounting Screws (supplied by others).

Need
Help?

Mini Edgeless Cove Soft Circle 360°

WG-MEC-SCC360

WG-MEC-SCR360

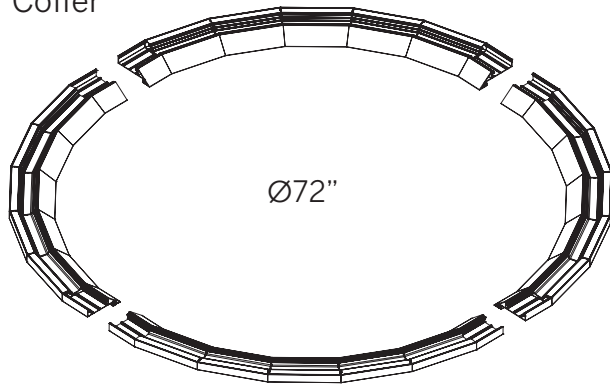
Cove

Recessed Plaster Trim
SCC360: Ø28", Ø51", Ø72"
SCR360: Ø32", Ø56", Ø78"

2/8

Step 1 - **Open the Box** (continued)

Coffer

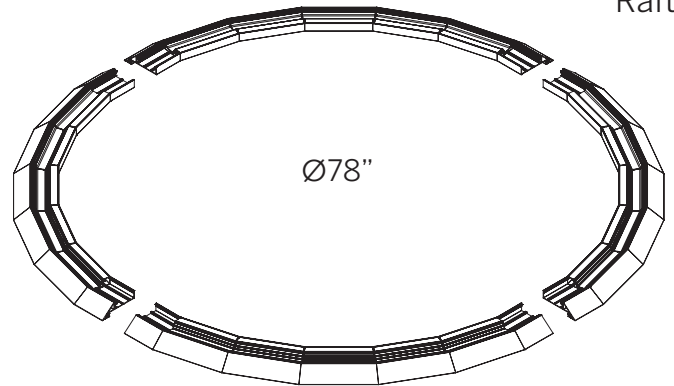


SCC-72



(4) Loose Gear Trays

Raft



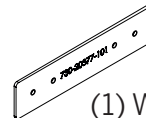
SCR-78



(4) Loose Gear Trays

NOTE: These sizes have been determined based on utilizing full lengths of LED boards in each of the (7) segments that comprise each Corner, or (13) segments that comprise each Semicircle. Check with factory if specifying non-standard dimensions, as there may be a risk of inconsistent illumination.

Loose Gear Trays are supplied with Mounting Screws. **Each** quarter-circle is supplied with:

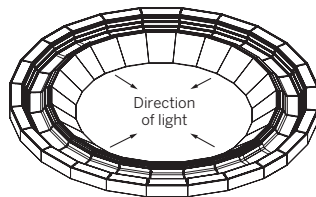


(1) Wide Joiner with Set Screws

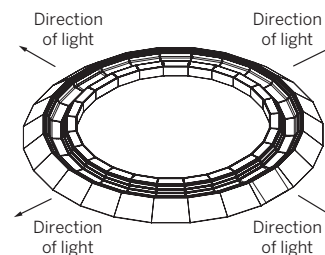


(1) Narrow Joiner with Set Screws

Light Direction



Coffer



Raft

Installation for Chicago Plenum

To install this fixture consistent with Chicago Plenum requirements, Chicago Plenum-rated conduit and clamp(s), junction box(es), and gasket(s) are supplied by others.



Mini Edgeless Cove Soft Circle 360°

WG-MEC-SCC360

WG-MEC-SCR360

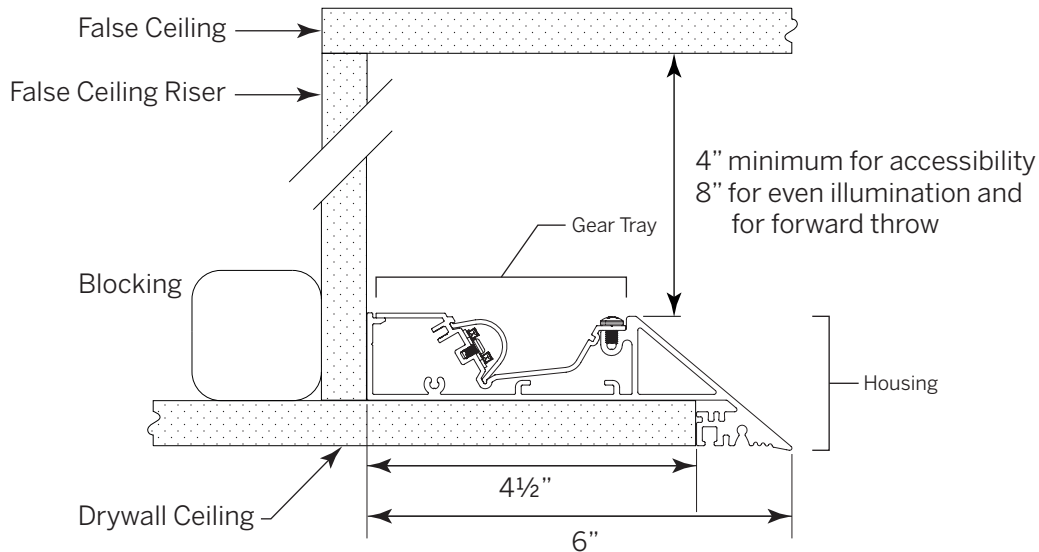
Cove

Recessed Plaster Trim
SCC360: Ø28", Ø51", Ø72"
SCR360: Ø32", Ø56", Ø78"

3/8

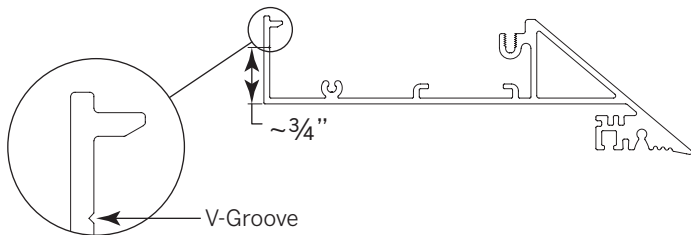
Step 2 - Installation Prep

As with the straight section Mini Edgeless Cove, Soft Corners are fastened to the Riser of a False Ceiling. Construct False Ceiling as shown below.

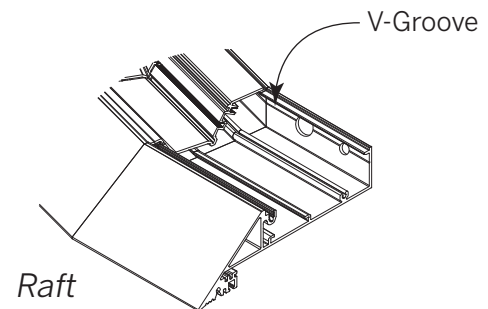
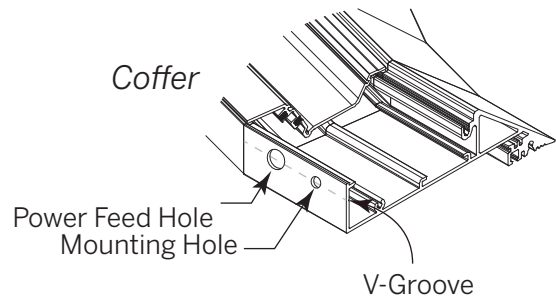


Step 3 - Housing Prep - Coffers and Raft

- a** Drill Mounting Holes in Housing Ends on V-Groove (inside Housing) or approximately 3/4" from bottom (outside Housing) as shown above. Additional Mounting Holes may be drilled as necessary by removing existing Gear Trays.
- b** Drill Hole for Power Feed; additional Feed(s) if necessary. Smaller arrangements may have two or more units that can run on a single driver; Larger arrangements may requires a separate drive for each unit.
- c** Repeat for **each** Quarter-Circle.



NOTE: LEDs and Lenses not shown for clarity



Mini Edgeless Cove

Soft Circle 360°

WG-MEC-SCC360

WG-MEC-SCR360

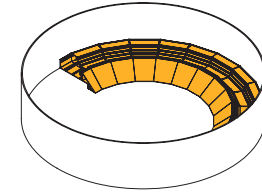
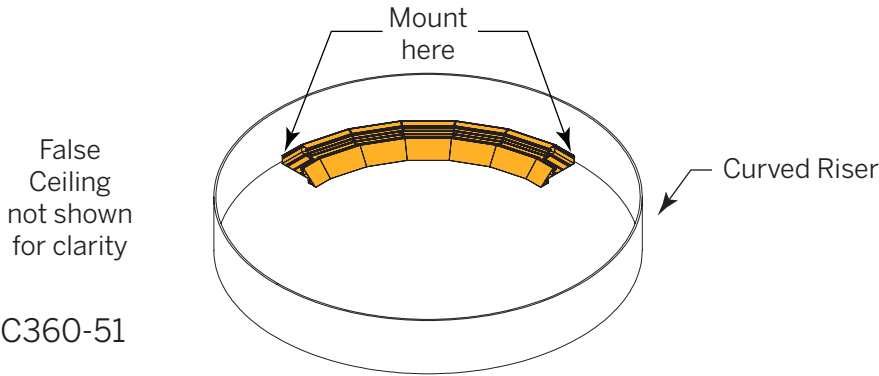
Cove

Recessed Plaster Trim
 SCC360: Ø28", Ø51", Ø72"
 SCR360: Ø32", Ø56", Ø78"

4/8

Step 4 - *Install First Quarter* Soft Circle - Coffe*

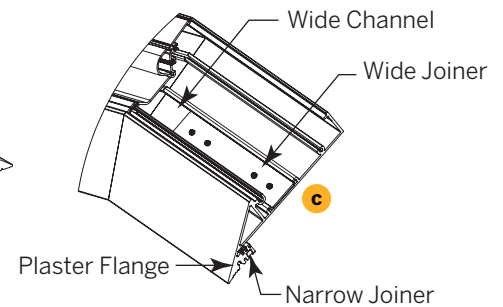
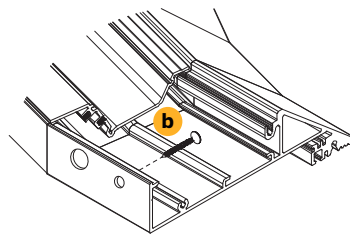
- a** Position the **first** Quarter-Circle onto the Curved Riser.



SCC360-28

*SCC360-28 installs as a single semicircular unit. Continue below.

- b** Level and Fasten Housing to Blocking outside Riser. Screws and Anchors supplied by others.

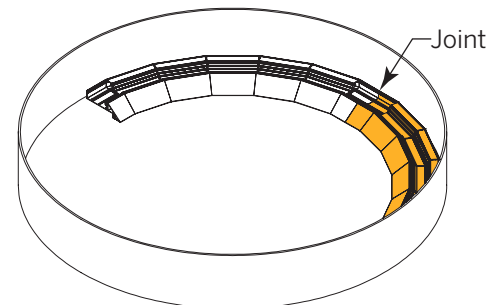


- c** Insert Wide Joiner *completely* into wide channel at interior bottom of Corner Housing. Set screws face upwards. **Do not** tighten yet.
- d** Insert Narrow Joiner *completely* into square channel inside Plaster Flange of the Quarter-Circle Housing. Set screws face downward. **Do not** tighten yet.

Step 5 - *Install Second Quarter* Soft Circle - Coffe*

*Follow instructions below to install the second Semicircle of SCC-28.

- a** Position the **second** Quarter-Circle onto the Curved Riser.
- b** Level Housing and Fasten to Blocking outside Riser. Screws and Anchors by others.
- c** At the Joint, slide Joiners back such that each Joiner spans each Housing. Access Narrow Joiner from bottom of Housing.



NOTE: LEDs and Lenses not shown for clarity



Mini Edgeless Cove Soft Circle 360°

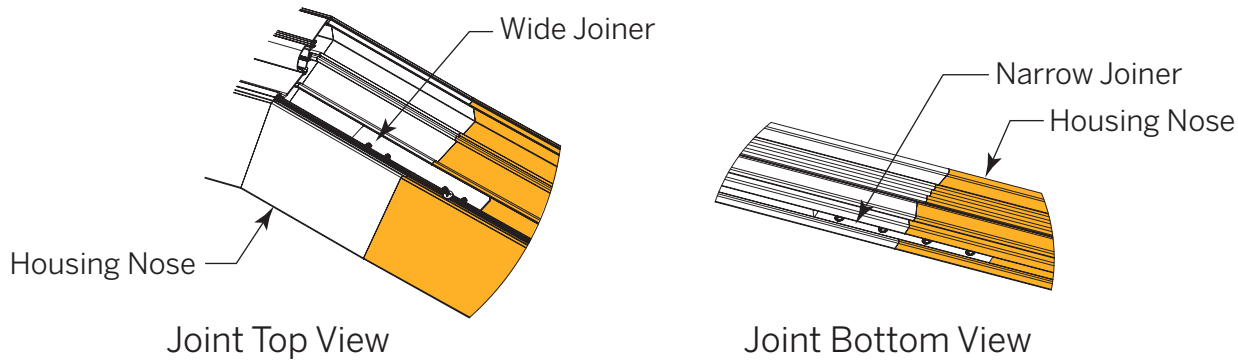
WG-MEC-SCC360

Cove

Recessed Plaster Trim
SCC360: Ø28", Ø51", Ø72"
SCR360: Ø32", Ø56", Ø78"

5/8

Step 5 - *Install Second Quarter Soft Circle - Coffe* (continued)



- d** Insert and fasten Mounting Screws (supplied by others) into holes drilled into second Quarter-Circle. See illustrations above.

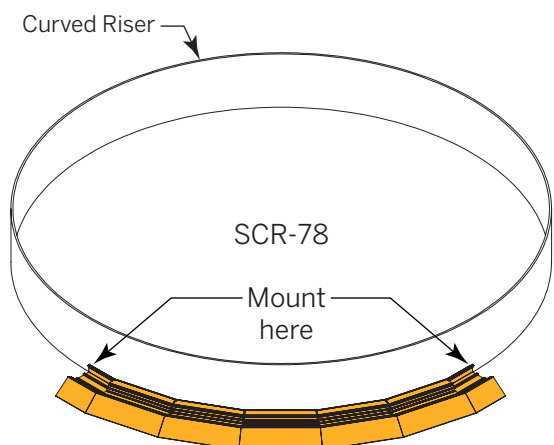
Now tighten Set Screws on Wide and Narrow Joiners. Do not overtighten. Overtightening risks deforming Housing surface.

Step 6 - *Install Third and Fourth Quarters Soft Circle - Coffe*

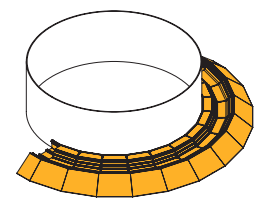
Repeat **Steps 4 & 5** to install the third and fourth Quarter-Circles.

Step 7 - *Install First Quarter* Soft Circle - Raft*

- a** Position the **first** Quarter-Circle onto the Curved Riser.
- b** Level Housing and Fasten to Blocking outside Riser. Screws and Anchors by others.



False Ceiling not shown for clarity



SCR-32

*SCR-32 installs as a single semicircular unit. Continue below.

Need Help?

Mini Edgeless Cove

Soft Circle 360°

WG-MEC-SCC360

WG-MEC-SCR360

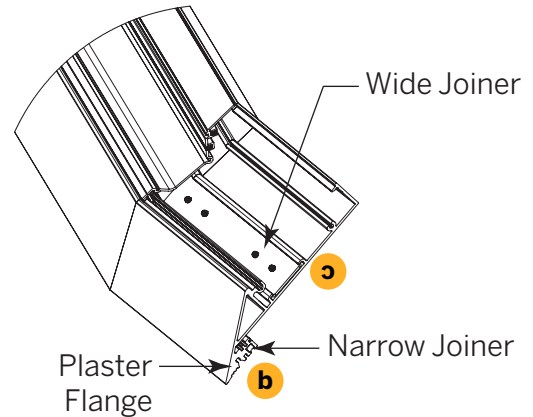
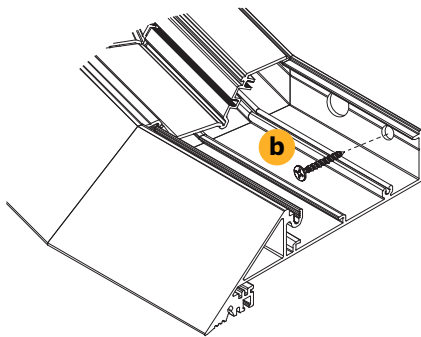
Cove

Recessed Plaster Trim
SCC360: Ø28", Ø51", Ø72"
SCR360: Ø32", Ø56", Ø78"

6/8

Step 7 - **Install First Quarter* Soft Circle - Raft** (continued)

- c** Insert Wide Joiner completely into wide channel at interior bottom of Corner Housing. Set screws face upwards. **Do not** tighten yet.
- d** Insert Narrow Joiner completely into square channel inside Plaster Flange of the Quarter-Circle Housing. Set screws face downward. **Do not** tighten yet.



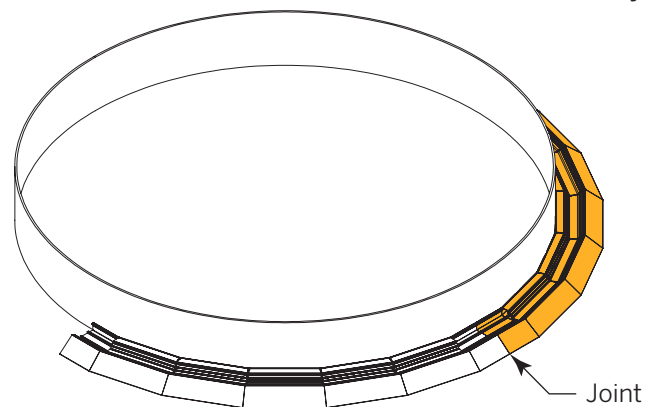
Step 8 - **Install Second Quarter* Soft Circle - Raft**

**Follow instructions below to install the second Semicircle of SCR-32.*

- a** Position the **second** Quarter-Circle onto the Curved Riser.
- b** Level Housing and Fasten to Blocking outside Riser. Screws and Anchors by others.
- c** At the Joint, slide Joiners back such that each Joiner spans each Housing. Access Narrow Joiner from bottom of Housing.

NOTE: LEDs and Lens not shown for clarity

False Ceiling not shown for clarity



Need Help?

Mini Edgeless Cove Soft Circle 360°

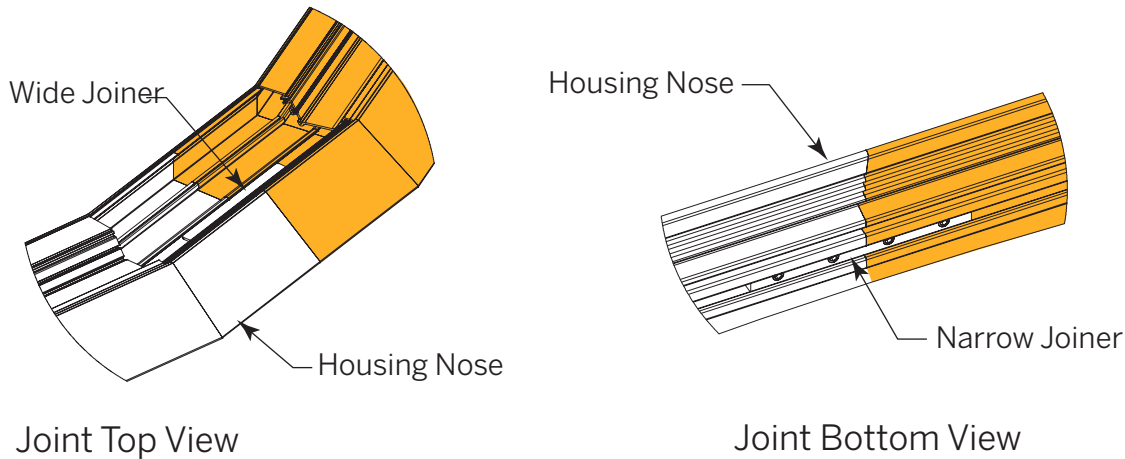
WG-MEC

Cove

Recessed Plaster Trim
SCC360: Ø28", Ø51", Ø72"
SCR360: Ø32", Ø56", Ø78"

7/8

Step 8 - *Install Second Quarter* Soft Circle - Raft* (continued)



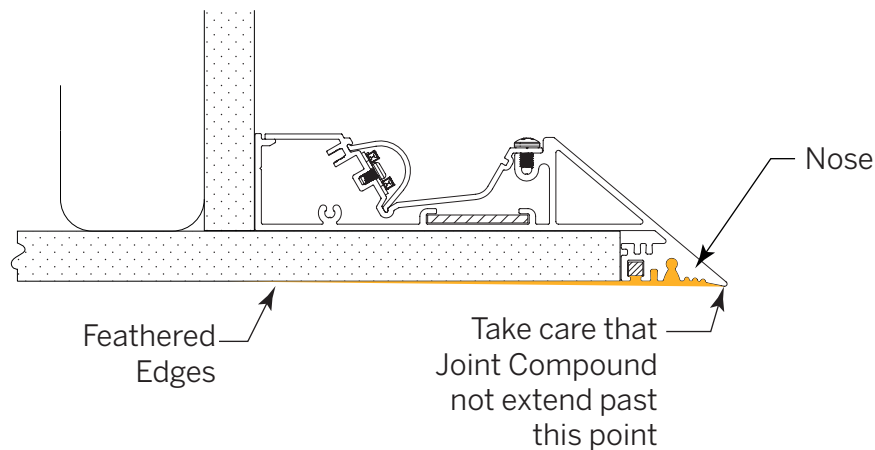
Now tighten Set Screws on Wide and Narrow Joiners. Do not overtighten. Overtightening risks deforming Housing surface.

Step 8 - *Install Third and Fourth Quarters Soft Circle - Raft*

Repeat **Steps 7 & 8** to install the third and fourth Quarter-Circles.

Step 9 - *Apply Joint Compound*

Apply Joint Compound all around the trim taking care to apply it flush with the Nose of the Housing.



Need
Help?

Mini Edgeless Cove Soft Circle 360°

WG-MEC

Cove

Recessed Plaster Trim
SCC360: Ø28", Ø51", Ø72"
SCR360: Ø32", Ø56", Ø78"

8/8

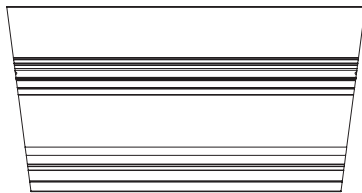
Step 10 - *Install Gear Trays & Wiring*

- a** Locate the (4) Loose Gear Trays.

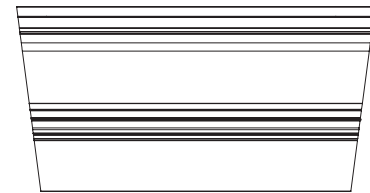
NOTE: The two small circles (Ø28"- Coffe, Ø32"- Raft) are supplied as (2) semicircles and have just (2) Loose Gear Trays, respectively.

These Gear Trays have a single pattern:

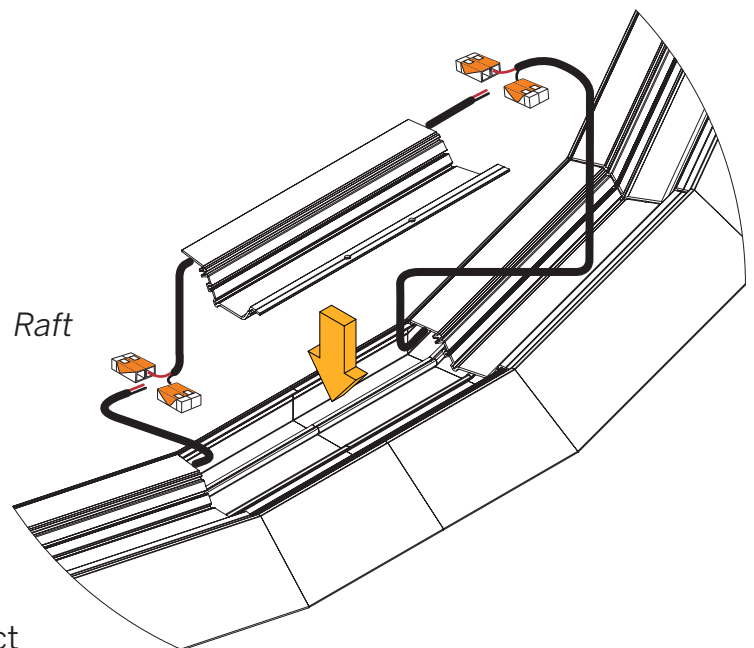
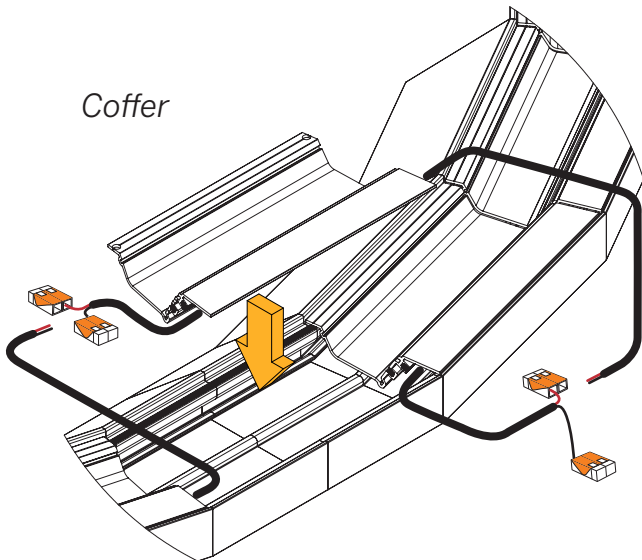
Coffer



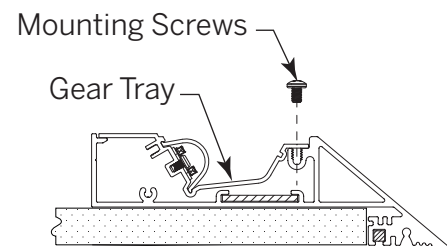
Raft



- b** Connect bare leads of Gear Tray wiring to Wago™ connectors on adjacent Gear Trays.



- c** Pull Power Feed(s) into Housing(s) and connect to Gear Tray Power Feed(s).
- d** Fasten Gear Trays to Housing with supplied screws.
- e** Repeat **Step 10** for the remaining (3) Gear Trays, or (1) remaining Gear Tray for the Ø28"- Coffe or Ø32"- Raft.
- f** Energize!



NOTE: Excess Cable between Gear Trays for illustration only.

Need
Help?