

# 20 Linear

WG-20LWW-SM-SC  
WG-20LWW-SM-GT9  
WG-20LWW-SM-GT15

# Wash Light

Surface Mount  
Screw & Grid Clips

## Installation Instructions

Luminaires must be installed by a qualified electrician. Check with local and national codes for proper installation.



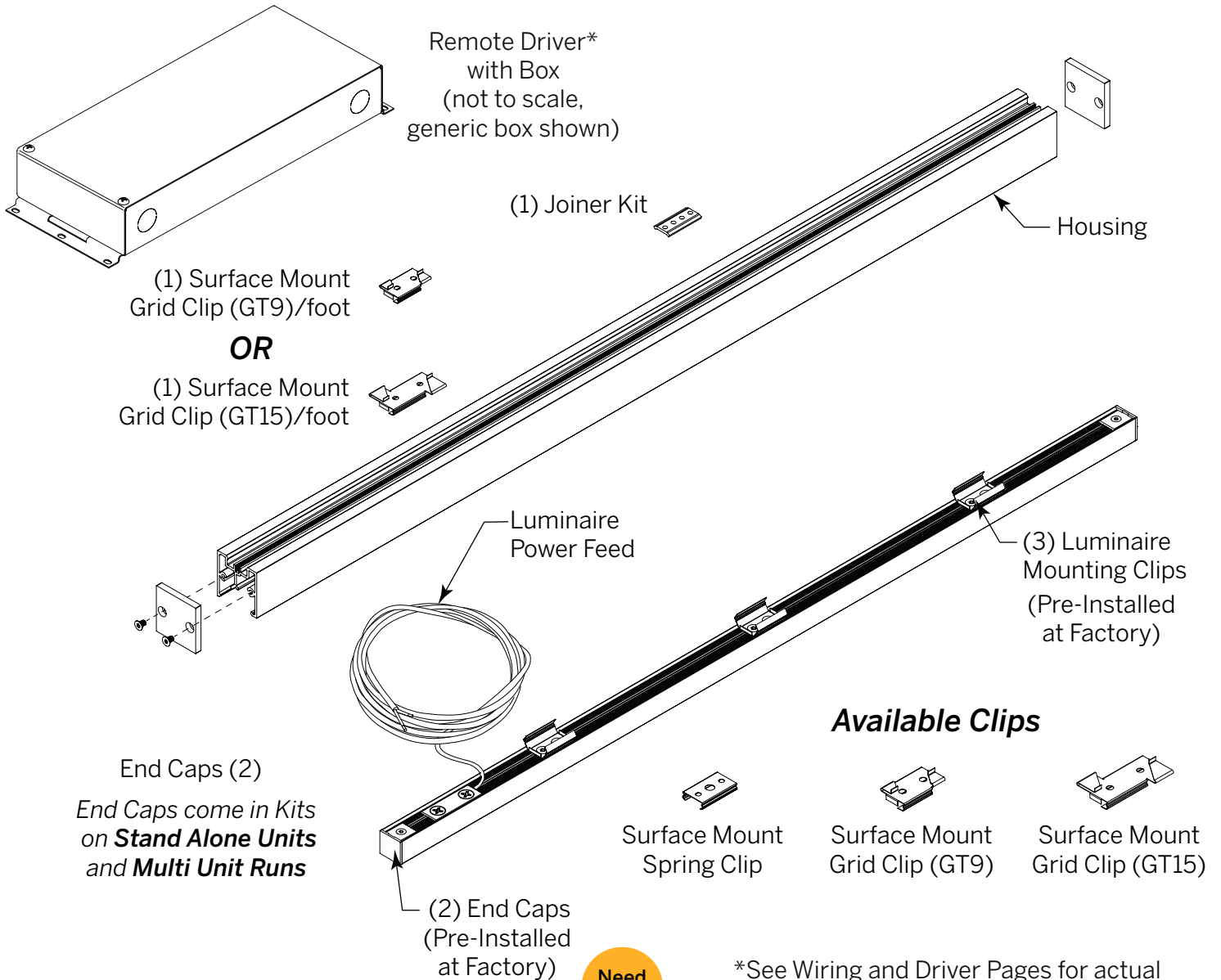
To prevent electrical shock disconnect electrical supply before installation or servicing.

**Never connect a live fixture!!!**

Contractor is responsible for adequately reinforcing walls and/or ceilings to support fixture weight. Provide blocking when necessary.

### Step 1 - Open the Box

Unpack luminaire unit. Unit consists of (3) major parts: Housing, Luminaire with Diffuser, and Remote Driver and Box. Plenum-rated cable with bare leads is also provided. Remote Drivers and Boxes supplied by Inter-lux.



**Need Help?**

\*See Wiring and Driver Pages for actual Remote Driver and Housing Pairings

# 20 Linear

WG-20LWW-SM-SC  
WG-20LWW-SM-GT9  
WG-20LWW-SM-GT15

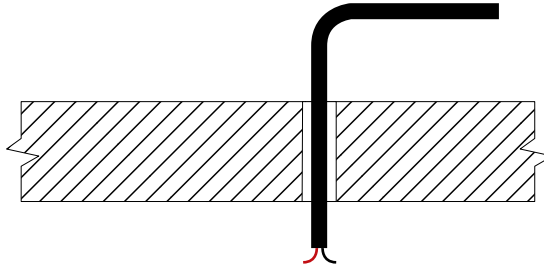
# Wash Light

Surface Mount  
Screw & Grid Clips

2/7

## Step 2 - Ceiling Prep

- a** Draw or project a center line on the ceiling where Luminaire(s) will be mounted.
- b** Mark location of incoming Remote Driver Power Feed. Note that incoming Power Feed enters Luminaire off-center, but still behind See **Step 3** below. Drill appropriately-sized Hole.
- b** Pull Remote Driver Power Feed through ceiling.



## Step 3 - Housing Prep

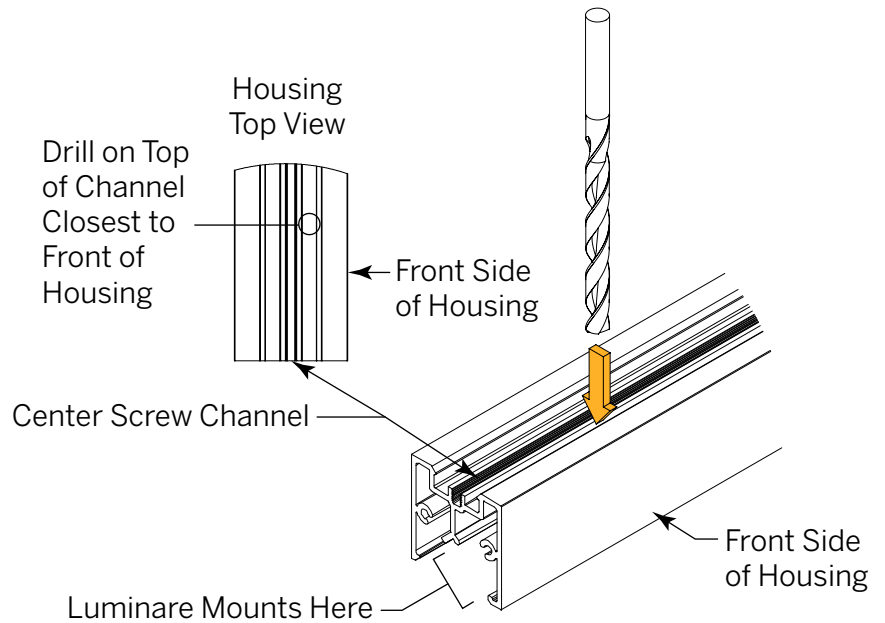
Drill a 1/4" hole on the top surface of the Housing on Channel closest to Front of Housing as shown in illustration at right.

### Spring Clip

Prior to drilling, confirm that hole will not interfere with pre-installed Luminaire End Caps or Mounting Clips. If necessary, Mounting Clips may be repositioned.

### Grid Clip

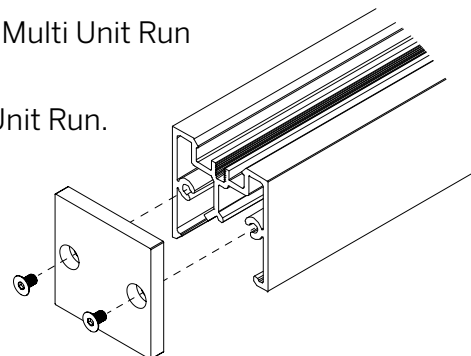
Consider where the hole for the Power Feed in the Grid Member will be located. See Step 7b. As above, Mounting Clips may be repositioned



## Step 4 - Install End Caps

- a** Mount End Cap on one end of Stand Alone Unit or first unit of Multi Unit Run with supplied screws. See illustration below.
- b** Repeat for other end of Stand Alone Unit, or last unit of Multi Unit Run.

**NOTE:** Tighten Screws with 3mm Hex Key



Need Help?

# 20 Linear

WG-20LWW-SM-SC  
WG-20LWW-SM-GT9  
WG-20LWW-SM-GT15

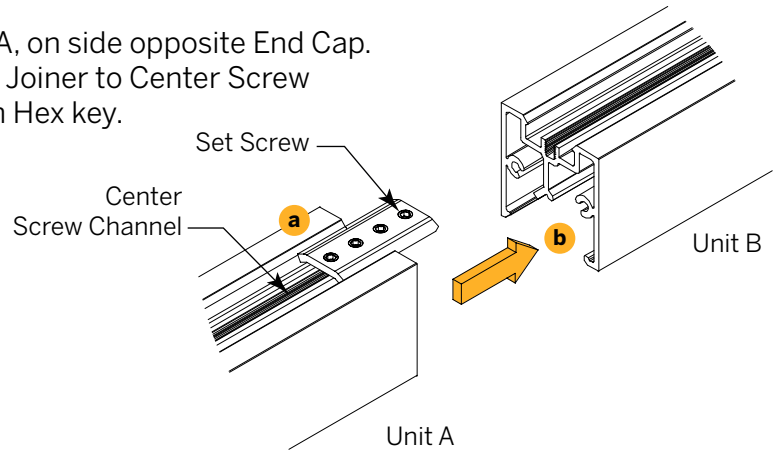
# Wash Light

Surface Mount  
Screw & Grid Clips

2/7

## Step 5 - *Install Joiners* - Multi Unit Run only

- a** Locate Joiner Kit and mount half of Joiner on Unit A, on side opposite End Cap. (4) M4 x 3mm set screws are pre-installed. Fasten Joiner to Center Screw Channel with the first two Set Screws using a 4mm Hex key.
- b** Join Unit A with Unit B and fasten second two Set Screws to Screw Channel of Unit B.

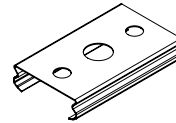


## Step 6 - *Install Mounting Clips*

### Screw Clip

- a** Mark and Drill ceiling for Mounting Clips.
- b** Orient Mounting Clip as shown at right.
- c** Fasten to ceiling using screws/anchors (by others).

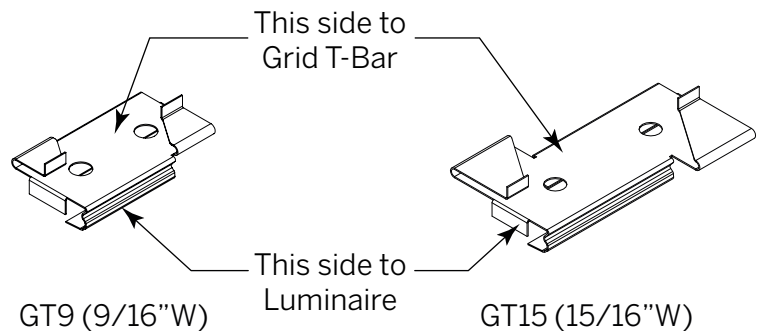
This side to Ceiling



This side to Housing

### Grid Clip

- a** Orient Mounting Clip as shown at right.



# 20 Linear

WG-20LWW-SM-SC  
WG-20LWW-SM-GT9  
WG-20LWW-SM-GT15

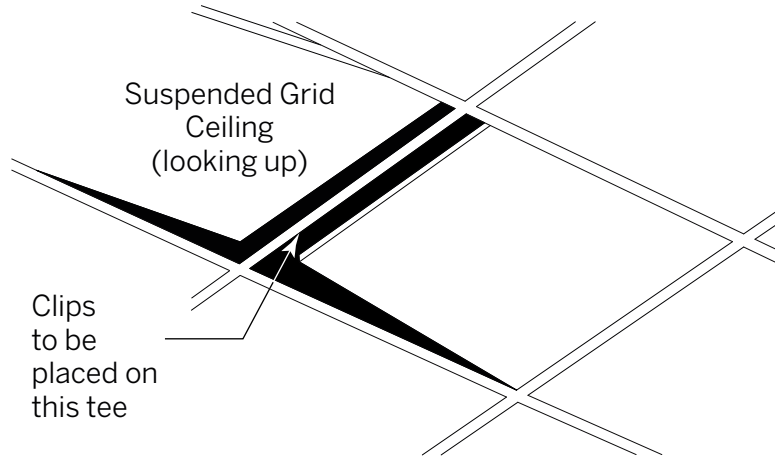
# Wash Light

Surface Mount  
Screw & Grid Clips

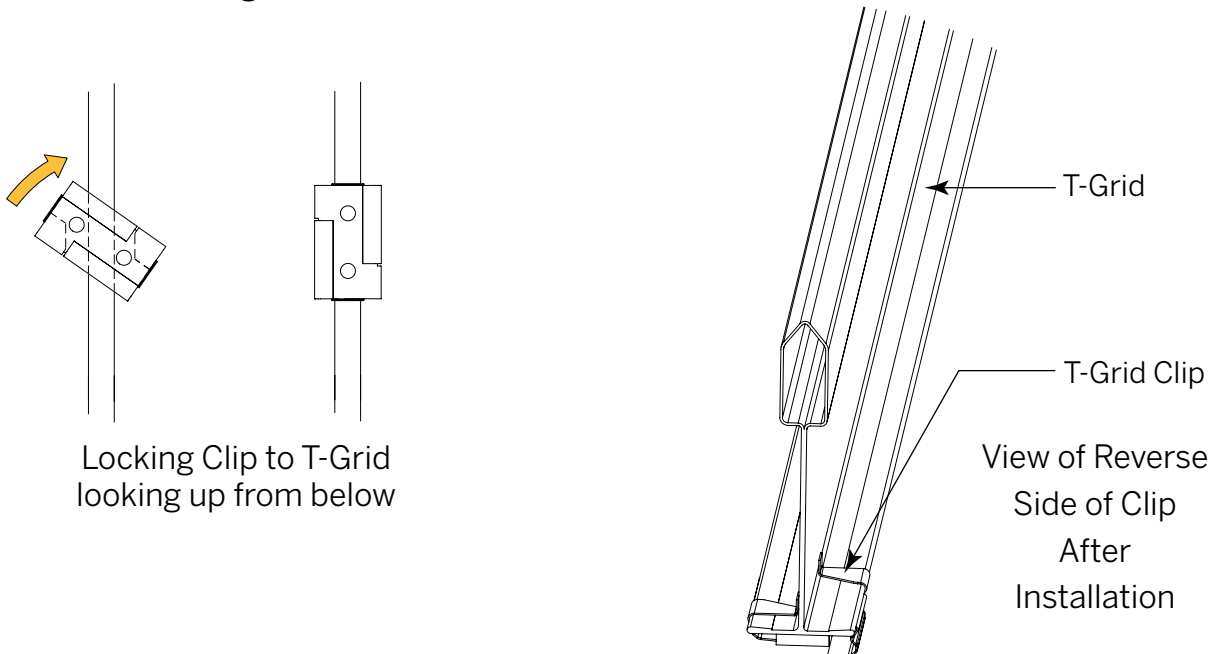
3/7

## Step 7 - *Install Mounting Clips* (continued)

- b** Holding clip in hand as shown above, raise the tiles on each side of the T-bar where the clip is to be mounted.



- c** With Mounting Tabs facing the ceiling grid, rotate clip such that the tee runs between the tabs as shown below and at right.



Skip to **Step 7** to continue

# 20 Linear

WG-20LWW-SM-SC  
WG-20LWW-SM-GT9  
WG-20LWW-SM-GT15

# Wash Light

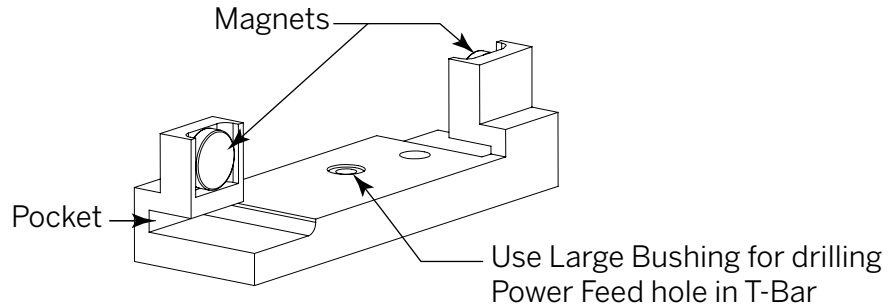
Surface Mount  
Screw & Grid Clips

4/7

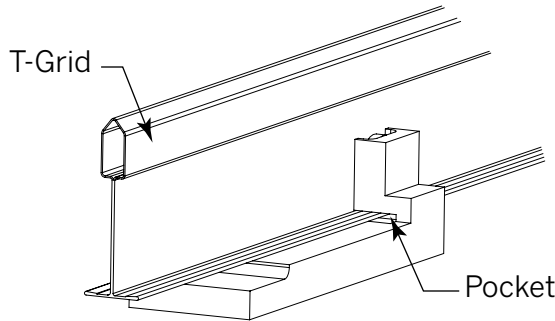
## Step 8 - **Drill Grid Member for Power Feed** - Grid Clips only

- a** Mark location of entering power feed on a non-visible area of Tee. Hole should be at least 2.5" from corner.
- b** Locate supplied drilling jig.

Tee Drilling Jig

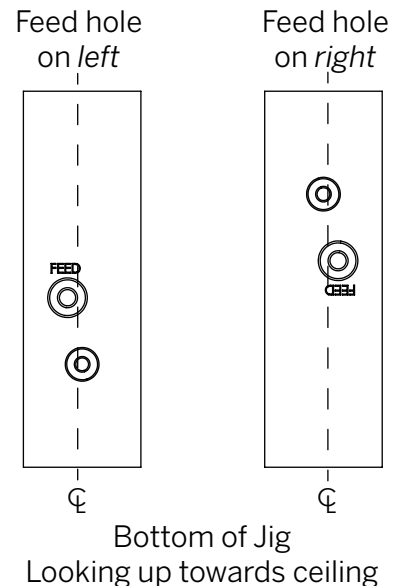


- c** The Drilling Jig's magnets cling to both sides of the vertical element of the Tee. Each side of the horizontal element slips into the Pocket (see illustrations above and below) on either end of Jig with the same twisting motion of the Grid Clip.



- d** Use large hole (FEED) in drilling jig and line up jig with mark. Note that hole in Jig is slightly off center. Drilled hole may be shifted left or right of center depending on orientation of Jig. Orient as needed.

**IMPORTANT:** Before drilling hole check top of Profile for which side the hole for the Power Feed was drilled in **Step 3**.



# 20 Linear

WG-20LWW-SM-SC  
WG-20LWW-SM-GT9  
WG-20LWW-SM-GT15

# Wash Light

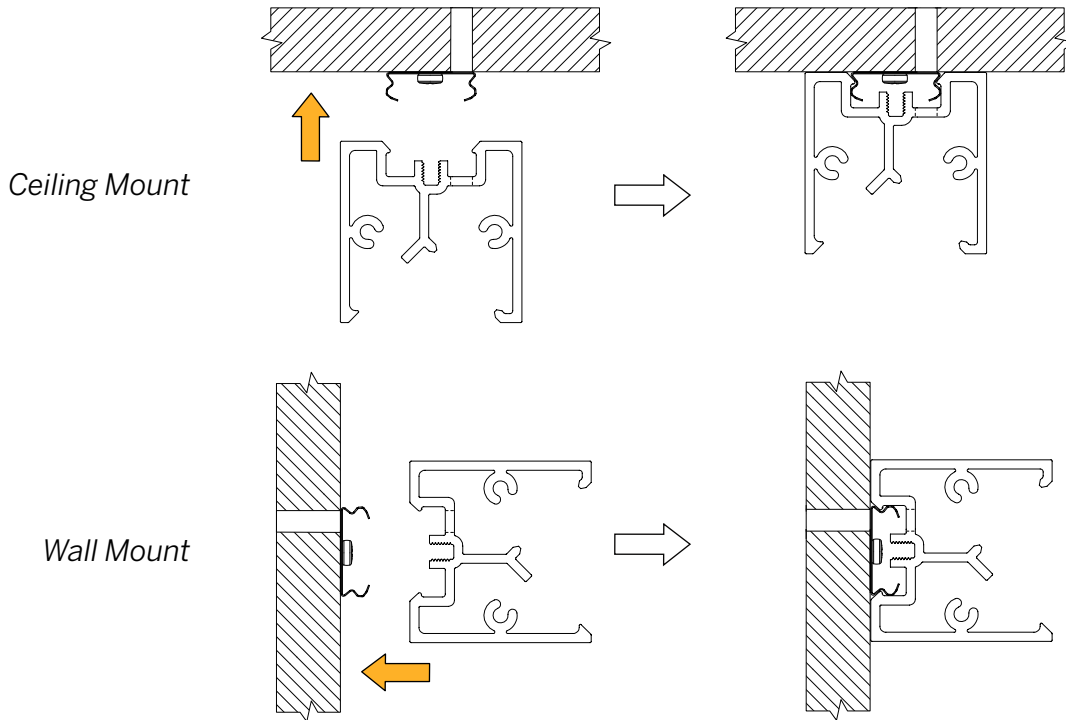
Surface Mount  
Screw & Grid Clips

5/7

## Step 9 - *Install Housing*

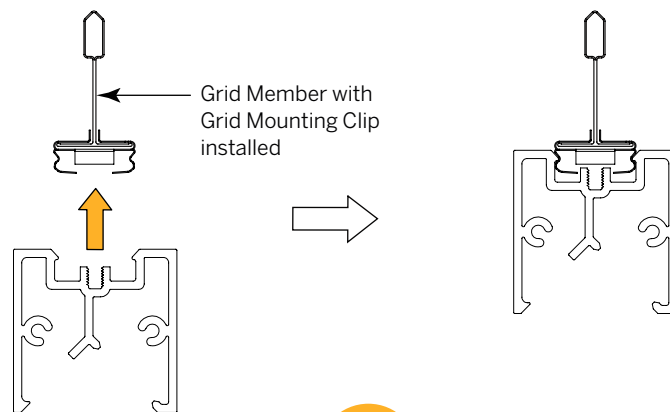
### Screw Clip

Push Housing such that top center channel engages Spring Clips. Housing seats with a "click."



### Grid Clip

Push Housing such that top center channel engages Grid Mounting Clips. Housing seats with a "click."



Need Help?

# 20 Linear

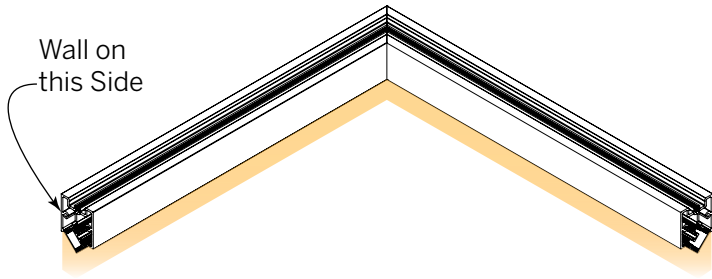
WG-20LWW-SM-SC  
WG-20LWW-SM-GT9  
WG-20LWW-SM-GT15

# Wash Light

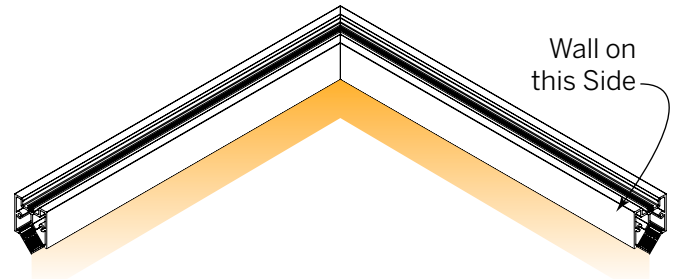
Surface Mount  
Screw & Grid Clips

## Step 10 - *Install Corners* - Multi Unit Runs only

Pattern Inside (PI) and Pattern Outside (PO) Corners are welded at the factory. Follow **Step 5** to mount to existing Run. Illustration of light output shows direction only, and is not indicative of actual color, intensity, or spread.



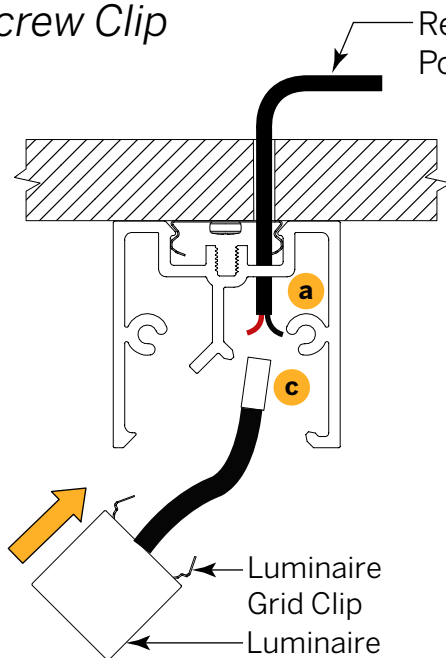
**Pattern Inside (PI)**



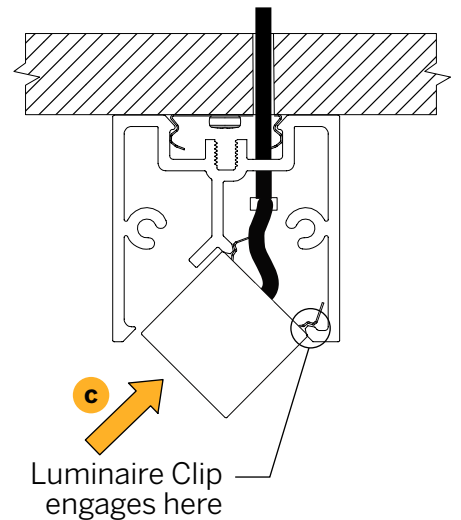
**Pattern Outside (PO)**

## Step 11 - *Install Luminaire*

### Screw Clip



- a** Pull Remote Driver Power Feed into Housing.
- b** Connect Remote Driver Power Feed to Luminaire Power Feed with supplied Mini Connector.
- c** Push Luminaire into Housing until it seats with a "click."
- d** Energize!



Grid Clip, next page

# 20 Linear

WG-20LWW-SM-SC  
WG-20LWW-SM-GT9  
WG-20LWW-SM-GT15

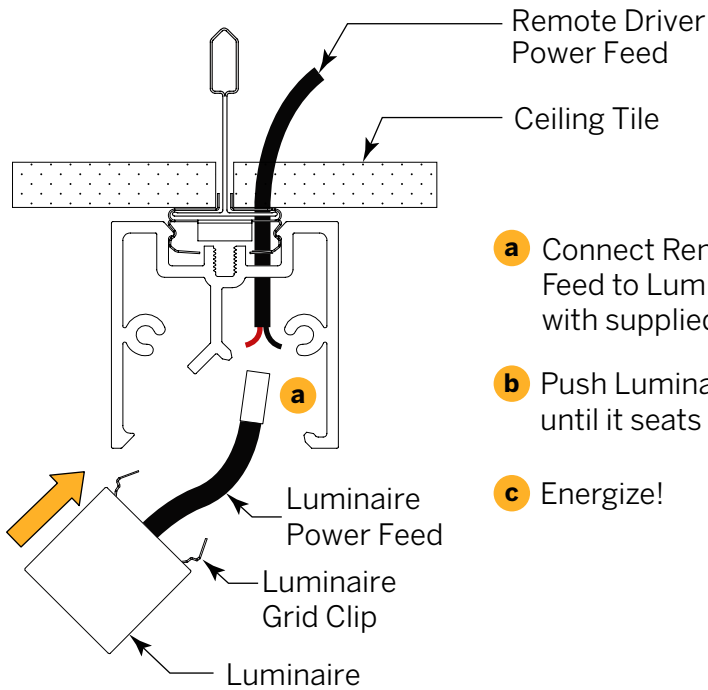
# Wash Light

Surface Mount  
Screw & Grid Clips

7/7

## Step 11 - **Install Luminaire** (continued)

### Grid Clip



- a** Connect Remote Driver Power Feed to Luminaire Power Feed with supplied Mini Connector.
- b** Push Luminaire into Housing until it seats with a “click.”
- c** Energize!

