

# 20 Linear Mini Z Cove

WG-20MZC

# Perimeter

Recessed Plaster Trim

## Installation Instructions

Luminaires must be installed by a qualified electrician. Check with local and national codes for proper installation.

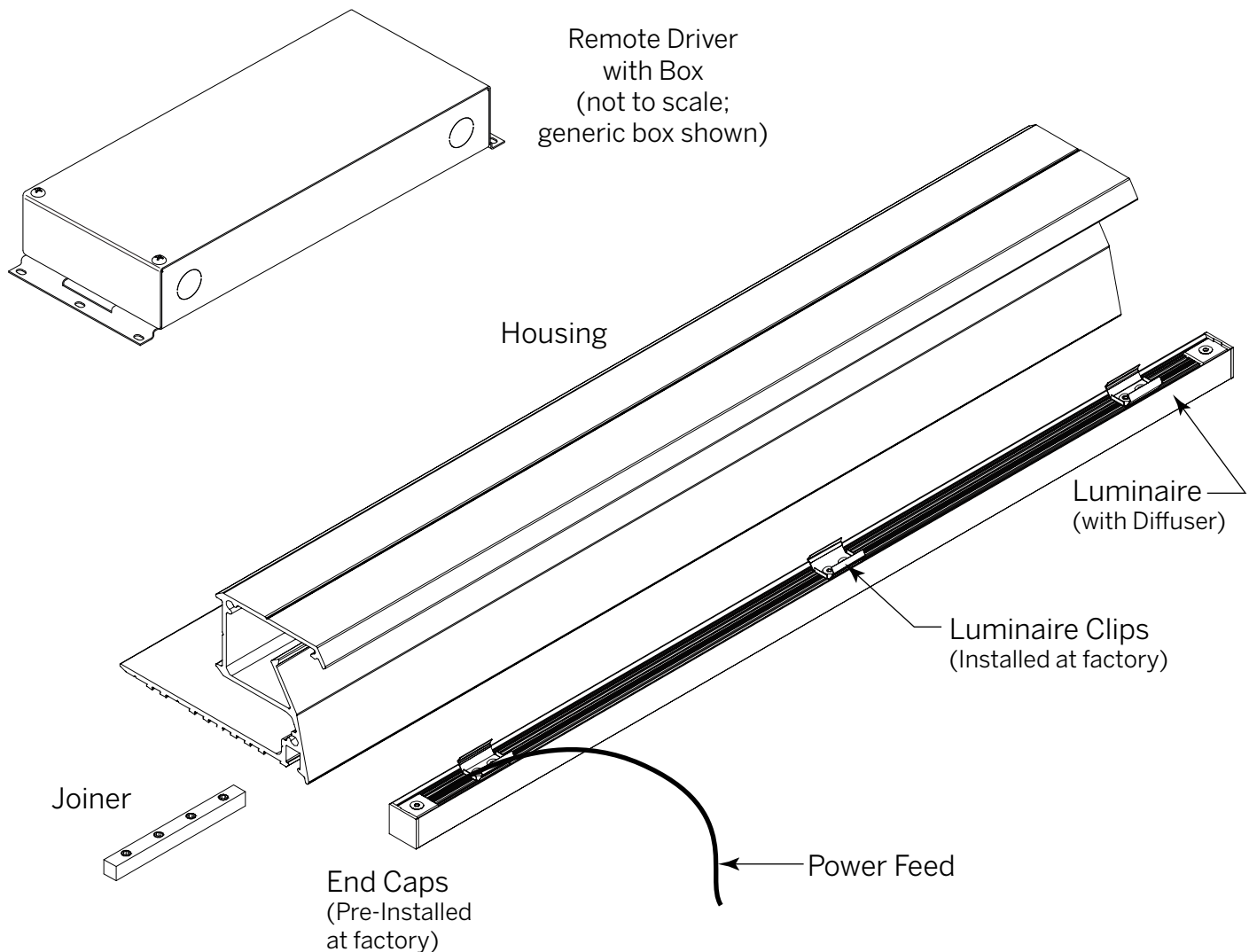


To prevent electrical shock disconnect electrical supply before installation or servicing.  
**Never connect to a live driver!!!**

Contractor is responsible for adequately reinforcing walls and/or ceilings to support fixture weight. Provide blocking when necessary.

### Step 1 - Open the Box

Unpack luminaire unit. Unit consists of (3) major parts: Housing, Luminaire with Diffuser, and Remote Driver with Box. Plenum-rated cable with bare leads is also provided. Remote Drivers and Boxes are supplied by Inter-lux.



**NOTE:** All fixation hardware supplied with mounting screws

# 20 Linear Mini Z Cove

WG-20MZC

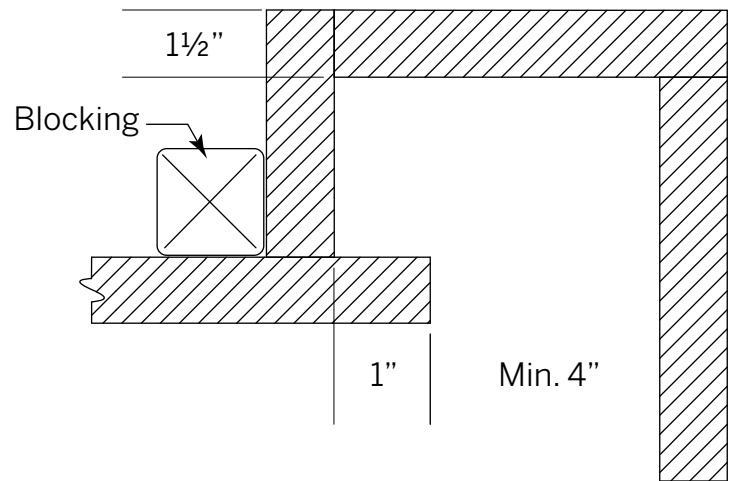
# Perimeter

Recessed Plaster Trim

2/6

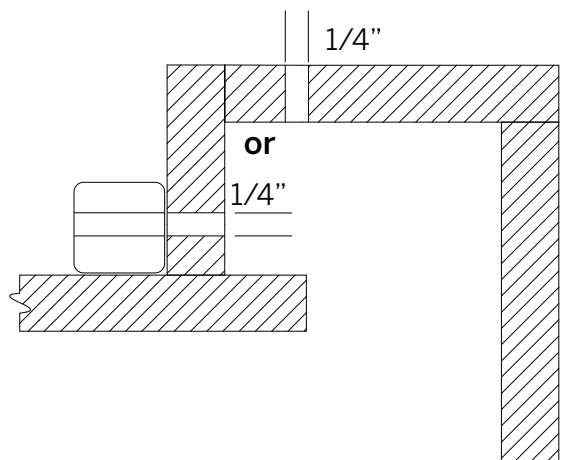
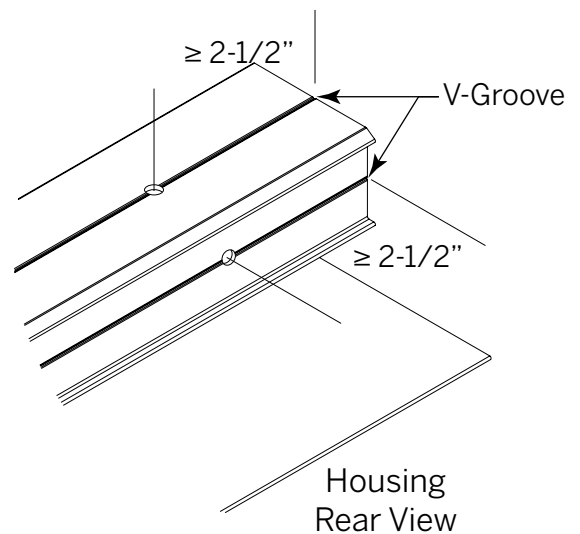
## Step 2 - *Prep Ceiling*

- a** Construct a false ceiling as shown at right.
- b** Add blocking as shown



## Step 3 - *Prep Housing*

- a** Drill a 1/4" hole at least 2-1/2" from the end of the Housing on the V-Groove on the top **OR** back surface for the Power Feed.
- b** Drill a 1/4" hole in the drywall false ceiling either in the top **OR** the side corresponding to and aligning with hole drilled in housing.



# 20 Linear Mini Z Cove

WG-20MZC

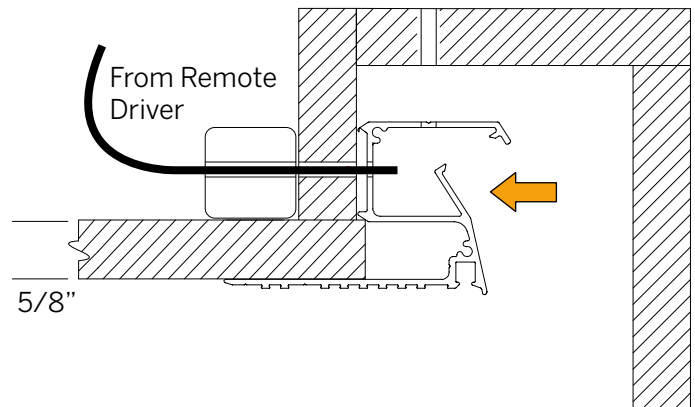
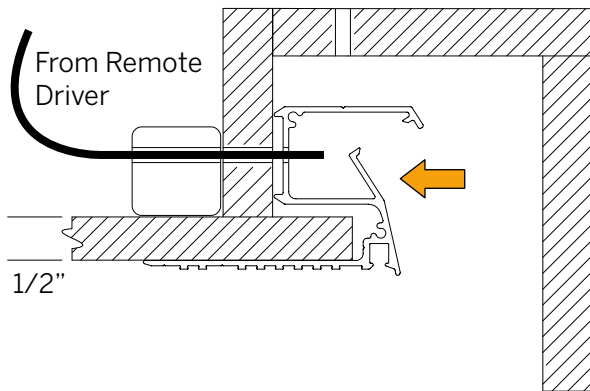
# Perimeter

Recessed Plaster Trim

3/6

## Step 4 - *Install Housing*

- a** Slide Housing over protruding drywall as shown at right. Housing is designed to fit 1/2" drywall. If, however, you are installing into 5/8" drywall, see drawing below right:

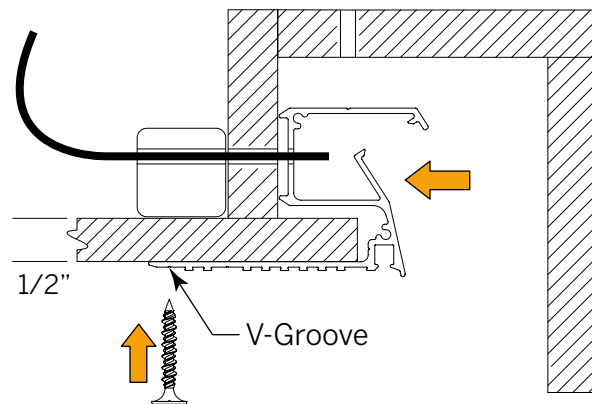


- b** Pull Power Feed into Housing.
- c** Secure Housing by with screws (by others) fastened to Blocking.

Note that screw holes need to be drilled by contractor along V-Groove on bottom of profile, as noted.

### **Multi Unit Runs**

Secure each additional Housing to Blocking after Joining Units (**Step 6**).



If installing a Stand Alone Unit,  
Skip to **Step 8**

# 20 Linear Mini Z Cove

WG-20MZC

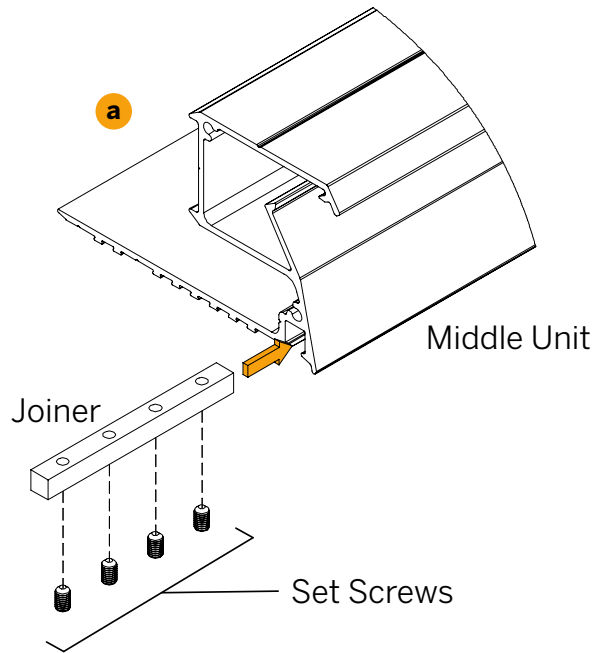
# Perimeter

Recessed Plaster Trim

4/6

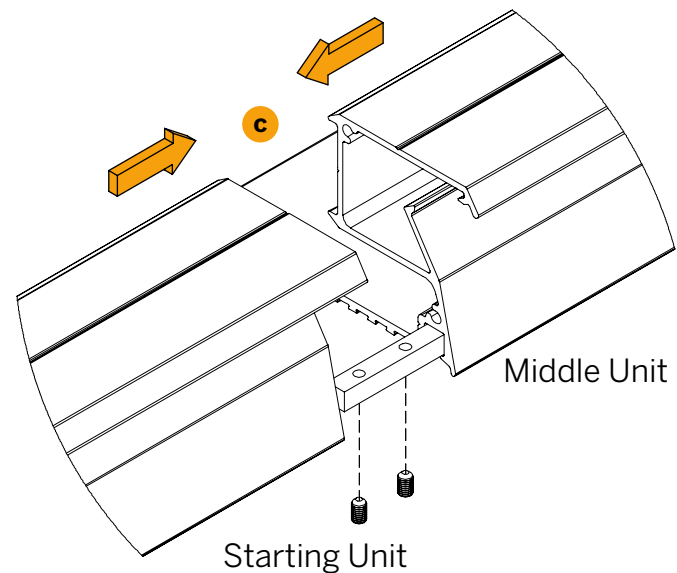
## Step 5 - **Join Units** - Multi Unit Run only

- a** Locate Joiner. Insert Joiner into square channel at bottom front of adjacent housing of (first) Middle Unit.
- b** Insert Joiner approximately halfway and tighten supplied Set Screws.



- c** Bring Starting Unit and (first) Middle Unit together. Insert free end of Joiner into corresponding channel of Starting Unit. Tighten Set Screws secure to Starting Unit.

- d** Repeat steps a to c for however many Middle Units.



Need Help?

# 20 Linear Mini Z Cove

WG-20MZC

## Perimeter

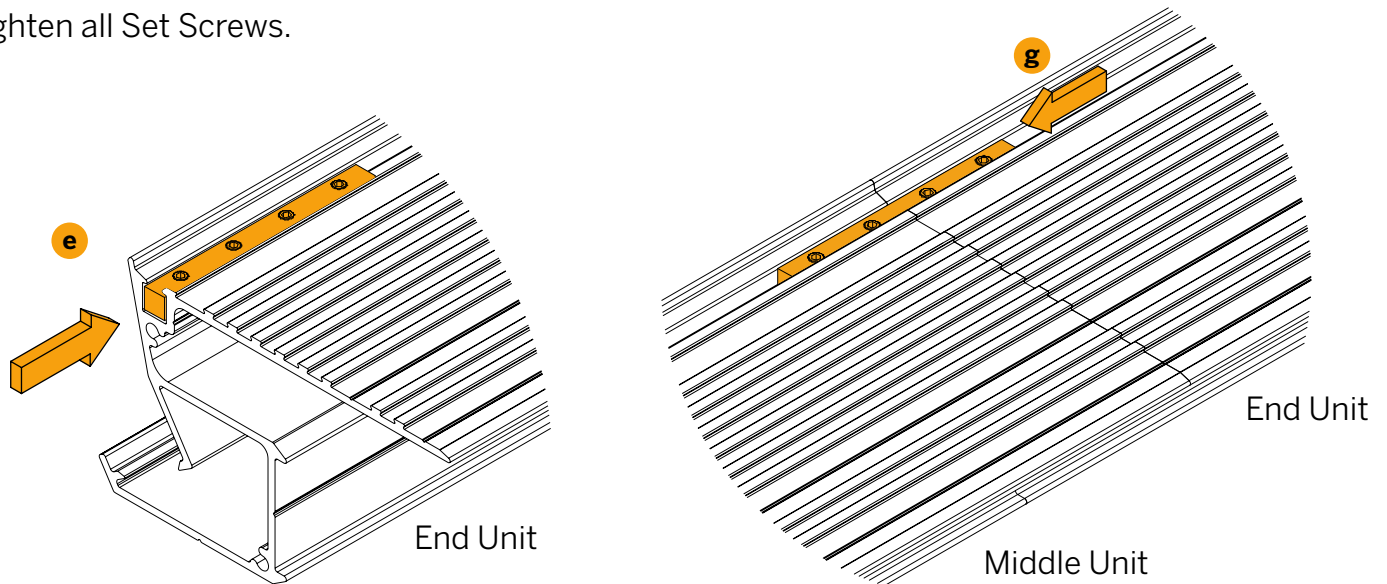
Recessed Plaster Trim

5/6

### Step 5 - **Join Units** - Multi Unit Run only (continued)

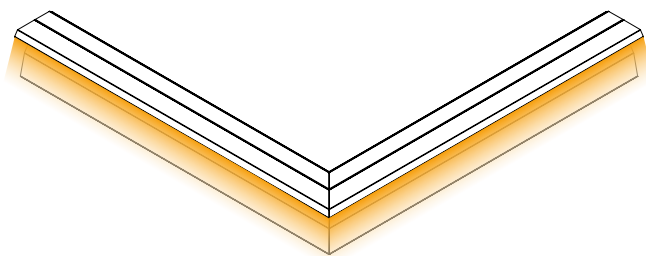
For last Unit in Run

- e** Slide the Joiner for the End Unit completely into the Unit. Do not tighten Set Screws.
- f** Place End Unit adjacent to Middle Unit.
- g** Slide Joiner back to bridge both Units.
- h** Tighten all Set Screws.

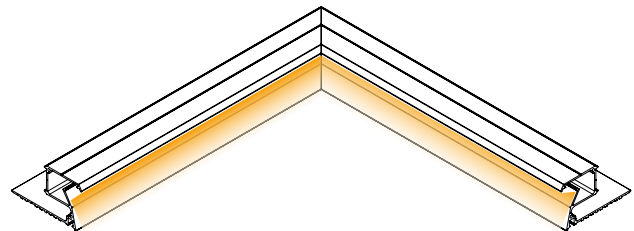


### Step 6 - **Install Corners** - Multi Unit Runs only

Illustrations below of light output shows direction only, and is not indicative of actual color, intensity, or spread. See Step 5 for joining to existing Run.



**Pattern Inside (PI)**



**Pattern Outside (PO)**

Need Help?

# 20 Linear Mini Z Cove

WG-20MZC

# Perimeter

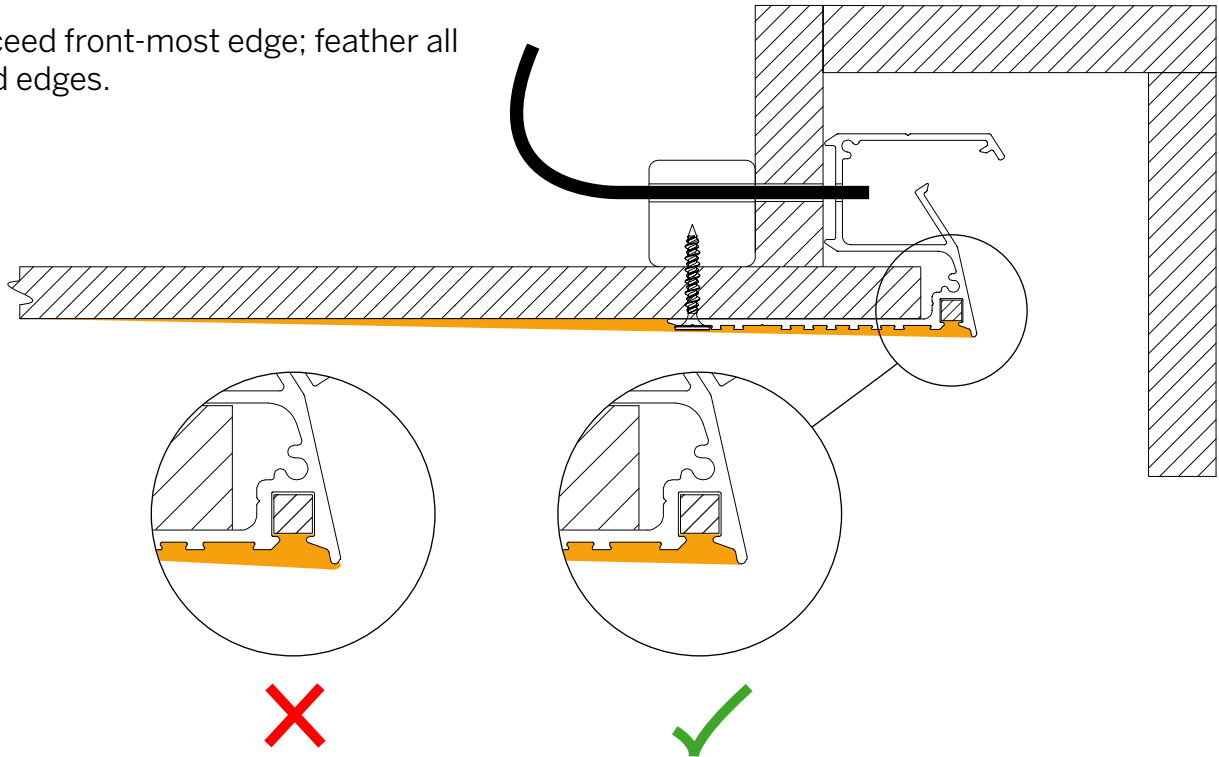
Recessed Plaster Trim

6/6

## Step 8 - Apply Joint Compound

Apply Joint Compound to the bottom surface of Housing. Cover all channels and mounting screws, as shown.

Do not exceed front-most edge; feather all compound edges.



## Step 9 - Wire Luminaire

- a** Connect Power Lead from Luminaire to Power Lead from Remote Driver with appropriate connector (by others).
- b** Push wiring into Housing, followed by Luminaire. Mounting Clips will engage Housing as shown at right.
- b** Energize!

