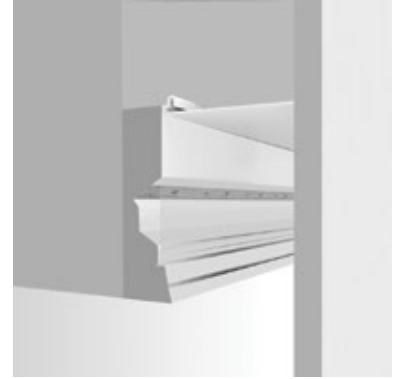


# V Cove



## Contents

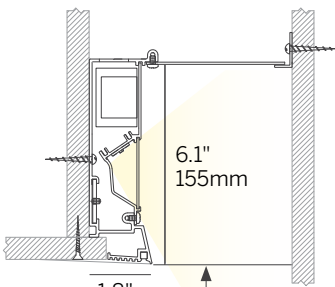
- 1 overview
- 2 specifications / configurator
- 3 photometry



**Continuous linear perimeter lighting system with hidden light source positioned for optimum vertical spread of illumination. Delivers continuous soft wash of directed light to adjacent wall surface.**

**QS** Quick Ship Available

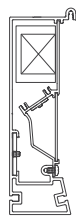
- Continuous perimeter cove delivers wash of directed light to adjacent surface.
- Light source positioned for optimum vertical spread of illumination.
- Extruded aluminum housing, easily installed internal LED tray assembly with integral driver. Field replaceable LED boards.
- Efficacy up to 156 lumens per watt (delivered) @ 3000K, see photometry page for details.
- 90+ CRI, 3 Step MacAdam (Static White).
- L70 (TM21 Projected 85°C) Static White / Tunable White / RGBW 50,000 hours. Warm Dim 36,000 hours.
- ETL and ETL-C for dry and damp locations, CE, Chicago Plenum.
- Satin clear diffuser for high efficiency and soft edge beam without striations.
- Lengths and angles factory cut to exact field dimensions. Standard and custom corners.
- Powdercoat painted.



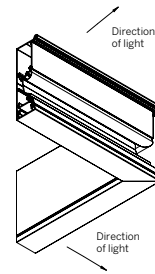
1.8"  
46mm  
2"  
50mm

6.1"  
155mm  
4" minimum for accessibility,  
6" for even illumination and  
downward throw

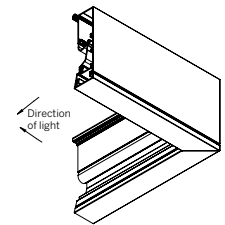
Plaster Trim (RPT)



Bezel Trim (RBT)



Inside Corner (PI)



Outside Corner (PO)

Ordering Information										
Model	Fixation	Pattern	Length	Power <sup>3</sup>	CRI/CCT <sup>4</sup>	Driver <sup>5</sup>	In-fill	Lens	Finish	Options
WG-VBC	RPT RBT	S <sup>1</sup> PI <sup>2</sup> PO <sup>2</sup> PZ <sup>2</sup>	A A x B A x B x C A x B x A x B	P0 P1 P2 P3 P4  L M H	927 930 935 940 TW1840 TW2765  WD RGBW	E1 L1 D2DT6 D2DT8  D010 DPH L3DAE L3DOE	X P4 P6 PX	SSD (std) SDC	W (std) F	AWNRF BT CP EM

**Model**

- WG-VBC = V Cove

**Fixation**

- RPT = Recessed Plaster Trim
- RBT = Recessed Bezel Trim

**Pattern**

- S = Straight run<sup>1</sup>
- PI = Standard patterns 2, 3, or 4 sided with 90° inside corners on the same plane<sup>2</sup>
- PO = Standard patterns 2, 3 or 4 sided with 90° outside corners on the same plane<sup>2</sup>
- PZ = Non-standard patterns and/or corners other than 90°, consult factory<sup>2</sup>

**Length**

- A, B, C = specify inches to the nearest 0.25" (i.e. 72.25")  
For patterns specify each length (i.e. 2 sided: A x B = 72.25" x 48"; 3 sided: A x B x C; 4 sided: A x B x A x B)

**Power<sup>3</sup>**

- P0 = 1.5 W/ft
- P1 = 3 W/ft
- P2 = 6 W/ft
- P3 = 10 W/ft
- P4 = 15 W/ft
- L = 2.7 W/ft WD low power (24V)
- M = 5.5 W/ft WD medium power (24V) [RGBW 7.6 W/ft]
- H = 8 W/ft WD high power (24V)

**CRI / CCT (90+ CRI minimum)<sup>4</sup>**

- 927 = 2700K
- 930 = 3000K
- 935 = 3500K
- 940 = 4000K
- TW1840 = Tunable white 1800K - 4000K
- TW2765 = Tunable white 2700K - 6500K
- WD = Warm Dim 1800K - 3000K
- RGBW = 3000K White

**Driver (integral)<sup>5</sup>**

- E1 = eldoLED 0.1% dimming, 0-10V (120-277V)
- L1 = Lutron 1% dimming, EcoSystem (120-277V)
- D2DT6 = DALI-2 (DT6), 0.1% dimming (120-277V)
- D2DT8 = DALI-2 (DT8), 0.1% dimming (120-277V) [TW only]
- D010 = eldoLED 10%, 0-10V dimming, 120-277V [WD only]
- DPH = Phase Dimming, 1% dimming, 120V only (remote) [WD only]
- L3DAE = Lutron Hi-lume 1% EcoSystem, 120-277V [WD only]
- L3DOE = Lutron Hi-lume Premier 0.1% EcoSystem, 120-277V (remote) [WD only]
- EL96 = eldoLED 0-10V, 0.1% dimming (120-277V) [WD only]
- DALI = eldoLED DALI (DT6), 0.1% dimming (120-277V) [WD only]
- DMX = eldoLED 24V, DMX dimming [WD + RGBW Only]

**In-fill**

- X = No in-fill panel
- P4 = 4" in-fill panel
- P6 = 6" in-fill panel
- PX = Custom in-fill panel (contact factory)

**Lens**

- SSD = Snap On Satin Diffuser (standard)
- SDC = Satin Clear Dust Cover

**Finish**

- W = White, 15% gloss, RAL 9010 (standard)
- F = Custom finish, specify RAL

**Options**

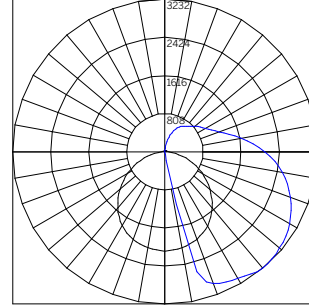
- AWNRF = Lutron Athena Wireless Node RF (specify with E1, D2DT6, D2DT8, EL96 or DALI)
- BT = Wireless CAS – Casambi (remote only, specify with E1, D2DT6, D2DT8, D010, EL96, DALI or DMX)
- CP = Chicago Plenum rated, complies with CCEA requirements
- EM = Emergency LED driver (remote)

1 Standard setup assumes the cove ends at a perpendicular wall and the LED board is setback from the end to minimize light on the perpendicular wall. Contact us for options.  
 2 See pattern specs sheet.  
 3 Wattage shown does not include power supplies/drivers.  
 4 See photometric data sheet for delivered lumens.  
 5 See power supply page for details.

## WG-VBC-...-SDC-W<sup>1</sup>

Delivered Lumens Per Foot

CCT	Power							
	P0 [1.5 W/ft]	P1 [3 W/ft]	P2 [6 W/ft]	P3 [10 W/ft]	P4 [15 W/ft]	L [2.7 W/ft]	M [5.5 W/ft] <sup>3</sup>	H [8.0 W/ft]
927	223	432	811	1247	1837	-	-	-
930	233	450	844	1299	1913	-	-	-
935	241	466	875	1345	2003	-	-	-
940	244	478	898	1382	2057	-	-	-
TW <sup>2</sup>	129	234	420	637	-	-	-	-
WD <sup>2</sup>	-	-	-	-	-	187	389	563
RGBW <sup>3</sup>	-	-	-	-	-	-	318	-



Beam Angle (0-180) = 53.4  
Beam Angle (90-270) = 115.9

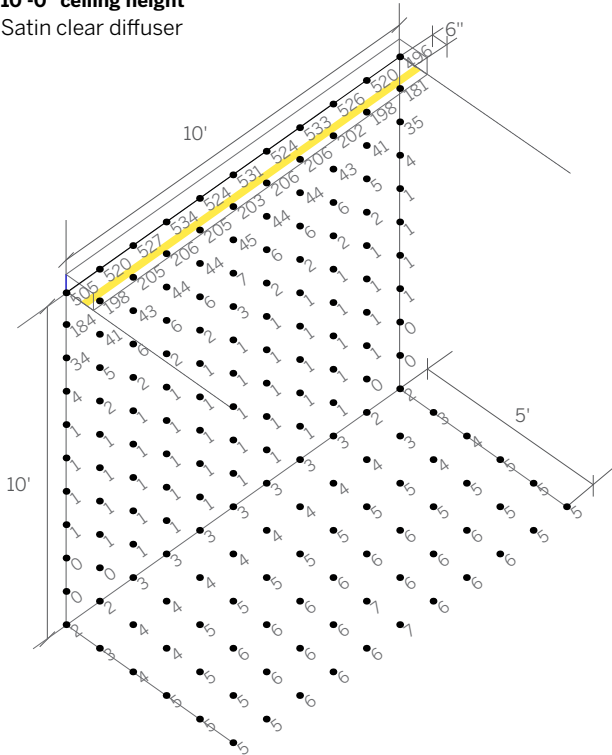
- 1 Polar Plot and Isofootcandle diagram are applicable to part number noted; use Multiplier table(s) to approximate other Power / CCT options.
- 2 TW lumen data at maximum output (4000K). WD lumen data at maximum output (3000K).
- 3 RGBW lumen data at maximum output with 3000K White LED. M-**RGBW** power level wattage is 7.6W/ft.

	Power Multiplier							
	P0 [1.5 W/ft]	P1 [3 W/ft]	P2 [6 W/ft]	P3 [10 W/ft]	P4 [15 W/ft]	L [2.7 W/ft]	M [5.5 W/ft] <sup>3</sup>	H [8.0 W/ft]
9XX	0.12	0.23	0.44	0.67	1.00	-	-	-
TW	0.06	0.12	0.21	0.32	-	-	-	-
WD	-	-	-	-	-	0.09	0.19	0.28
RGBW	-	-	-	-	-	-	0.16	-

CCT Multiplier			
927	930	935	940
0.92	0.95	1.00	1.03

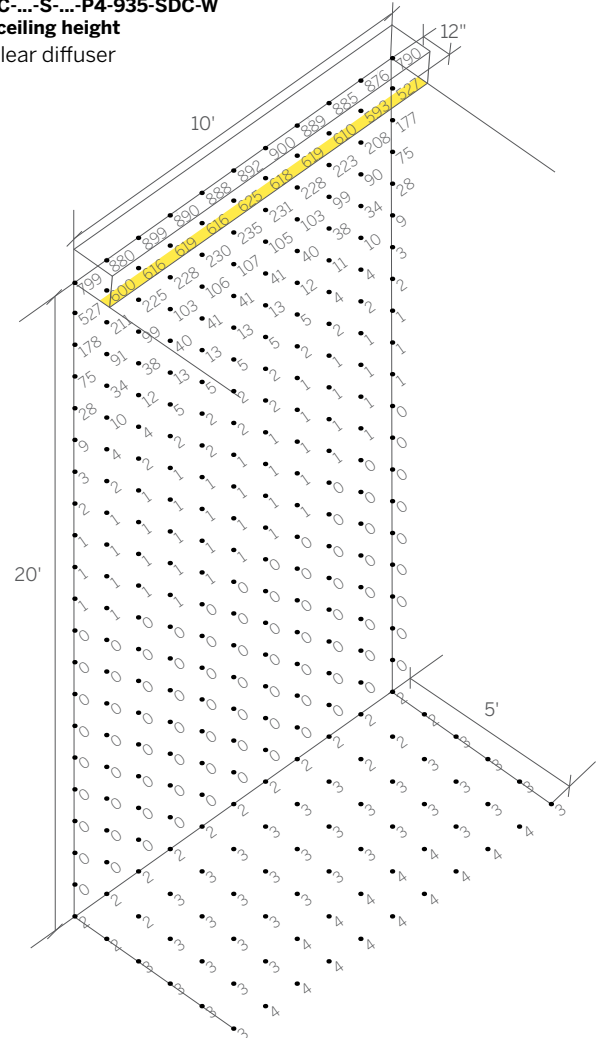
## WG-VBC-...-S-...-P2-935-SDC-W

10'-0" ceiling height  
Satin clear diffuser



## WG-VBC-...-S-...-P4-935-SDC-W

20'-0" ceiling height  
Satin clear diffuser



Surface reflectances:

80% Ceiling

50% Wall

20% Floor

Illuminance points are spaced 1'-0" on center.

Illuminance values are shown in units of foot-candles.