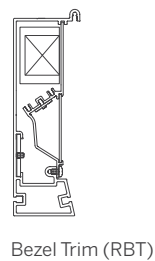
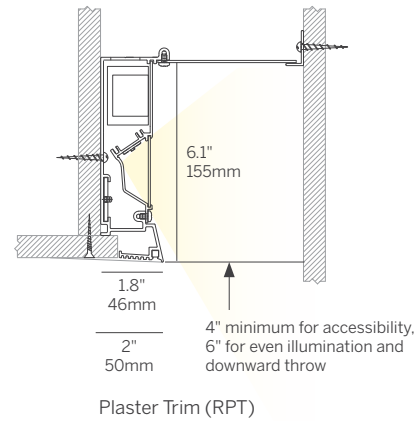


# V Cove



Continuous linear perimeter lighting system with hidden light source positioned for optimum vertical spread of illumination. Delivers continuous soft wash of directed light to adjacent wall surface.

- Housing**
  - Precision extruded aluminum for true dimensions and tolerances
  - Alignment hardware for invisible seam from below
  - Housing provided in any exact length
  - Unitized gear tray with LEDs for easy final installation
  - Standard and tailored lengths
  - Wall mounting allows the finished wall to extend above the ceiling plane.
  - Infill top panel (optional)
  - Corners: standard and non-standard
  - Finishes: RAL 9010 white 15% gloss
- Integration**
  - Fixation into gypsum, hard ceilings and all grid ceiling types
- Distribution**
  - Asymmetric forward throw with max. beam at 40 degrees from nadir
  - Redirected light for soft, even illumination of the adjacent wall surface
  - Satin clear diffuser for wide, diffuse and efficient light emission
- LED**
  - Static White, 2700K - 4000K, 1.5 W - 15 W/ft, constant current, >90 CRI, 3-Step MacAdam
  - Tunable White, 1800K - 4000K / 2700K - 6500K, 1.5 W - 15 W/ft, constant current, >90 CRI
  - L70 (TM21 Projected 85°C) Static White / Tunable White = 50,000 hours
  - Warm Dim, 3000K - 1800K, 2.7 - 8W/ft, constant voltage, >90CRI, 2-Step MacAdam
  - RGBW, 3000K White, 7.6 W/ft, constant voltage
  - L70 (TM21 Projected 85°C) RGBW = 50,000 hours, WD = 36,000 hours
- Lens**
  - SDC - satin clear dust cover for wipe down applications
- Driver**
  - Integral driver
  - Compatible with quality constant current (Static White / Tunable White) and constant voltage (WD / RGBW) drivers
- Connectivity**
  - Lutron Athena Wireless Node RF
  - Casambi BlueTooth
- Weight**
  - 3lbs per foot
- Operating Temp**
  - Suitable for operation in maximum ambient temperature of 35C (95F)
- Warranty**
  - 5-year Limited (see complete company warranty information)
- Certifications**
  - ETL and ETL-C for dry and damp location, CE, Chicago Plenum
- Voltages**
  - 120-277VAC



# V Cove

Model	Fixation	Pattern	Length	Power <sup>3</sup>	CRI/CCT <sup>4</sup>	Driver <sup>5</sup>	In-fill	Lens	Finish	Options
WG-VBC	RPT RBT	S <sup>1</sup> PI <sup>2</sup> PO <sup>2</sup> PZ <sup>2</sup>	A A x B A x B x C A x B x A x B	P0	927	E1	X P4 P6 PX	SDC (std)	W (std) F	AWNRF BT CP EM
				P1	930	L1				
				P2	935	D2DT6				
				P3	940	D2DT8				
				P4	TW1840 TW2765					
				L	WD	D010 EL96				
				M	RGBW	DPH DALI				
				H		L3DAE DMX L3DOE				

## Model

- WG-VBC = V Cove

## Fixation

- RPT = Recessed plaster trim
- RBT = Recessed bezel trim

## Pattern

- S = Straight run<sup>1</sup>
- PI = Standard patterns 2, 3, or 4 sided with 90° inside corners on the same plane<sup>2</sup>
- PO = Standard patterns 2, 3 or 4 sided with 90° outside corners on the same plane<sup>2</sup>
- PZ = Non-standard patterns and/or corners other than 90°, consult factory<sup>2</sup>

## Length

- A, B, C = specify inches to the nearest 0.25" (i.e. 72.25") For patterns specify each length (i.e. 2 sided: A x B = 72.25" x 48"; 3 sided: A x B x C; 4 sided: A x B x A x B)

## Power<sup>3</sup>

- P0 = 1.5 W/ft
- P1 = 3 W/ft
- P2 = 6 W/ft
- P3 = 10 W/ft
- P4 = 15 W/ft
- L = 2.7 W/ft WD low power (24V)
- M = 5.5 W/ft WD medium power (24V) [RGBW 7.6 W/ft]
- H = 8W/ft WD high power (24V)

## CRI / CCT (90+ CRI minimum)<sup>4</sup>

- 927 = 2700K
- 930 = 3000K
- 935 = 3500K
- 940 = 4000K
- TW1840 = Tunable white 1800K - 4000K
- TW2765 = Tunable white 2700K - 6500K
- WD = Warm Dim 1800K-3000K
- RGBW = 3000K White

## Driver (integral)<sup>5</sup>

- E1 = eldoLED 0.1% dimming, 0-10V (120-277V)
- L1 = Lutron 1% dimming, EcoSystem (120-277V)
- D2DT6 = DALI-2 (DT6), 0.1% dimming (120-277V)
- D2DT8 = DALI-2 (DT8), 0.1% dimming (120-277V) [TW only]
- D010 = eldoLED 10%, 0-10V dimming, 120-277V [WD only]
- DPH = Phase Dimming, 1% dimming, 120V only (remote) [WD only]
- L3DAE = Lutron Hi-lume 1% EcoSystem, 120-277V [WD only]
- L3DOE = Lutron Hi-lume Premier 0.1% EcoSystem, 120-277V (remote) [WD only]
- EL96 = eldoLED 0-10V, 0.1% dimming (120-277V) [WD only]
- DALI = eldoLED DALI (DT6), 0.1% dimming (120-277V) [WD only]
- DMX = eldoLED 24V, DMX dimming [WD + RGBW Only]

## In-fill

- X = No in-fill panel
- P4 = 4" in-fill panel
- P6 = 6" in-fill panel
- PX = Custom in-fill panel (contact factory)

## Lens

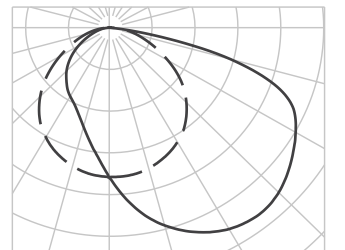
- SDC = Satin clear diffuser (standard)

## Finish

- W = White, 15% gloss, RAL 9010 (standard)
- F = Custom finish, specify RAL

## Options

- AWNRF = Lutron Athena Wireless Node RF (specify with E1, D2DT6, D2DT8, EL96 or DALI)
- BT = Wireless CAS - Casambi (remote only, specify with E1, D2DT6, D2DT8, D010, EL96, DALI, or DMX)
- CP = Chicago Plenum rated, complies with CCEA requirements
- EM = Emergency LED driver (remote)



Polar Plot

Whitegoods reserves the right to change any information without prior notice.

## Notes

- Standard setup assumes the cove ends at a perpendicular wall and the LED board is setback from the end to minimize light on the perpendicular wall. Contact us for options.
- See pattern specsheet.
- Wattage shown does not include power supplies/drivers.
- Refer to specsheet for delivered lumen data for all product configurations.
- See power supply page for details.

technical  
information