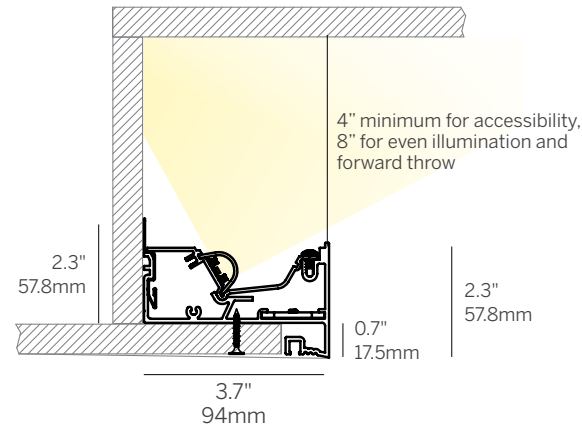


## Mini Box Cove (Plaster Trim)

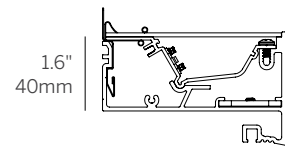


Continuous, plaster-in square-fronted continuous linear cove system for clean, minimal effect with optimized distribution for maximum throw of light from a small luminaire.

<b>Housing</b>	Precision extruded aluminum for true dimensions and tolerances Alignment hardware for invisible seam from below Housing provided in any exact length Unitized gear tray with LEDs for easy final installation Standard and tailored lengths Corners: standard and non-standard Finishes: RAL 9010 white 15% gloss
<b>Integration</b>	Fixation to any vertical surface or horizontal surface
<b>Distribution</b>	Low angle forward throw reflector with max beam at 130 degrees Back light reflector delivers soft, even illumination to the cove
<b>LED</b>	Static White, 2700K - 4000K, 1.5 W - 15W/ft, constant current, >90 CRI, 3-Step MacAdam Tunable White, 1800K - 4000K / 2700K - 6500K, 1.5 W - 15W/ft, constant current, >90 CRI L70 (TM21 Projected 85°C) Static White / Tunable White = 50,000 hours Warm Dim, 3000K - 1800K, 2.7 - 8W/ft, constant voltage, >90CRI, 2-Step MacAdam RGBW, 3000K White, 7.6 W/ft, constant voltage L70 (TM21 Projected 85°C) RGBW = 50,000 hours, WD = 36,000 hours
<b>Lens</b>	SSD - snap-on satin diffuser for high efficiency and soft edge beam without striations SDC - satin clear dust cover for wipe down applications
<b>Driver</b>	Remote driver Compatible with quality constant current (Static White / Tunable White) and constant voltage (WD / RGBW) drivers
<b>Connectivity</b>	Lutron Athena Wireless Node RF Casambi BlueTooth
<b>Weight</b>	2lbs per foot
<b>Operating Temp</b>	Suitable for operation in maximum ambient temperature of 35C (95F)
<b>Warranty</b>	5-year Limited (see complete company warranty information)
<b>Certifications</b>	ETL and ETL-C for dry and damp location, CE, Chicago Plenum
<b>Voltages</b>	Low Voltage Fixture, 120-277VAC Driver (remote)



Snap On Satin Diffuser (SSD)



Satin Clear Wipedown Cover (SWC)

## Mini Box Cove (Plaster Trim)

Model	Fixation	Pattern	Length	Power <sup>3</sup>	CRI/CCT <sup>4</sup>	Driver <sup>5</sup>	Lens	Finish	Options
WG-MBC	RPT	S <sup>1</sup> PC <sup>2</sup> PR <sup>2</sup> PPI <sup>2</sup> PPO <sup>2</sup> PZ <sup>2</sup>	A A x B A x B x C A x B x A x B	P0	927	E1 L1 D2DT6 D2DT8	SSD (std) SWC	W (std) F	AWNRF BT CP LEC REC LREC EM
				P1 P2 P3 P4	930 935 940 TW1840 TW2765				
				L M H	WD RGBW	D010 DPH L3DAE L3DOE	EL96 DALI DMX		

### Model

- WG-MBC = Mini Box Cove

### Fixation

- RPT = Recessed Plaster Trim

### Pattern

- S = Straight run<sup>1</sup>
- PC = Standard patterns coffer 2, 3 or 4 sided with 90° inside corners<sup>2</sup>
- PR = Standard patterns raft 2, 3 or 4 sided with 90° outside corners<sup>2</sup>
- PPI = Wall to wall / wall to ceiling, 90° inside corner<sup>2</sup>
- PPO = Wall to wall / wall to ceiling, 90° outside corner<sup>2</sup>
- PZ = Non-standard patterns and/or corners other than 90°; consult factory<sup>2</sup>

### Length

- A, B, C = specify inches to the nearest 0.25" (i.e. 72.25") For patterns specify each length (i.e. 2 sided: A x B = 72.25" x 48"; 3 sided: A x B x C; 4 sided: A x B x A x B)

### Power<sup>3</sup>

- P0 = 1.5 W/ft
- P1 = 3 W/ft
- P2 = 6 W/ft
- P3 = 10 W/ft
- P4 = 15 W/ft
- L = 2.7 W/ft WD low power (24V)
- M = 5.5 W/ft WD medium power (24V) [RGBW 7.6 W/ft]
- H = 8 W/ft WD high power (24V)

### CRI / CCT (90+ CRI minimum)<sup>4</sup>

- 927 = 2700K
- 930 = 3000K
- 935 = 3500K
- 940 = 4000K
- TW1840 = Tunable white 1800K - 4000K
- TW2765 = Tunable white 2700K - 6500K
- WD = Warm Dim 1800K-3000K
- RGBW = 3000K White

### Driver (remote)<sup>5</sup>

- E1 = eldoLED 0.1% dimming, 0-10V (120-277V)
- L1 = Lutron 1% dimming, EcoSystem (120-277V)
- D2DT6 = DALI-2 (DT6), 0.1% dimming (120-277V)
- D2DT8 = DALI-2 (DT8), 0.1% dimming (120-277V) [TW only]
- D010 = eldoLED 10%, 0-10V dimming, 120-277V [WD only]
- DPH = Phase Dimming, 1% dimming, 120V only [WD only]
- L3DAE = Lutron Hi-lume 1% EcoSystem, 120-277V [WD only]
- L3DOE = Lutron Hi-lume Premier 0.1% EcoSystem, 120-277V [WD only]
- EL96 = eldoLED 0-10V, 0.1% dimming (120-277V) [WD only]
- DALI = eldoLED DALI (DT6), 0.1% dimming (120-277V) [WD only]
- DMX = eldoLED 24V, DMX dimming [WD + RGBW Only]

### Lens

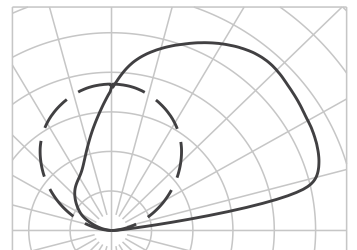
- SSD = Snap On Satin Diffuser (standard)
- SWC = Satin Clear Wipedown Cover

### Finish

- W = White, 15% gloss, RAL 9010 (standard)
- F = Custom finish, specify RAL

### Options

- AWNRF = Lutron Athena Wireless Node RF (specify with E1, D2DT6, D2DT8, EL96 or DALI)
- BT = Wireless CAS - Casambi (specify with E1, D2DT6, D2DT8, D010, EL96, DALI or DMX)
- CP = Chicago Plenum rated, complies with CCEA requirements
- LEC = Left end cap
- REC = Right end cap
- LREC = Left & Right end caps
- EM = Emergency LED driver (remote)



Polar Plot

Whitegoods reserves the right to change any information without prior notice.

### Notes

- Standard setup assumes the cove ends at a perpendicular wall and the LED board is setback from the end to minimize light on the perpendicular wall. Contact us for options.
- See pattern specsheet.

<sup>3</sup> Wattage shown does not include power supplies/drivers.

<sup>4</sup> Refer to specsheet for delivered lumen data for all product configurations.

<sup>5</sup> See power supply page for details.

technical  
information