

60 ProTools Linear

WG-60PTLDI-S48
WG-60PTLDI-S96
WG-60PTLDI-SXX

Direct-Indirect

Suspended

Installation Instructions

Luminaires must be installed by a qualified electrician. Check with local and national codes for proper installation.



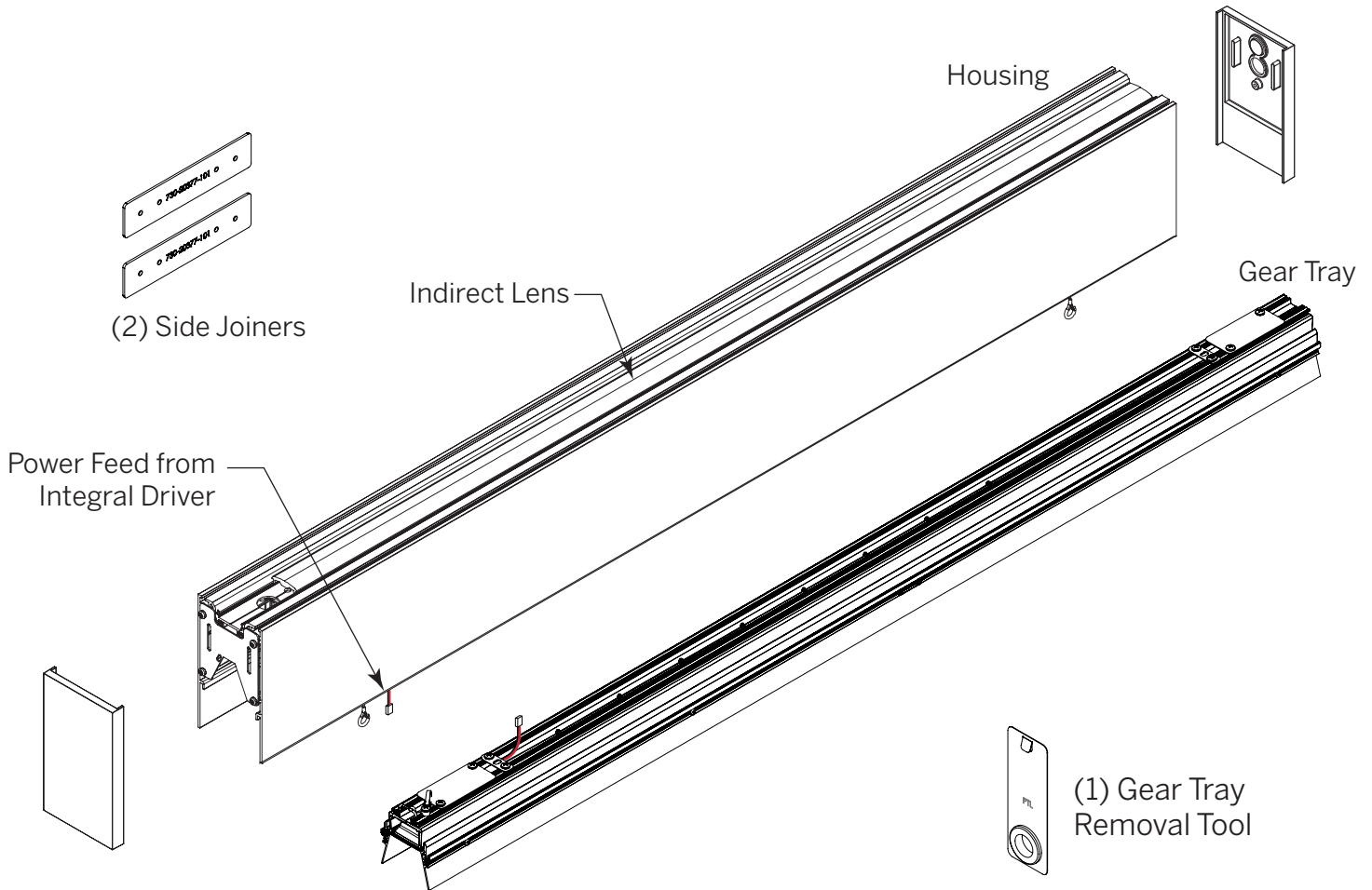
To prevent electrical shock disconnect electrical supply before installation or servicing.

Never connect a live fixture!!!

Contractor is responsible for adequately reinforcing walls and/or ceilings to support fixture weight. Provide blocking when necessary.

Step 1 - **Open the Box**

Unpack luminaire unit. Unit consists of (3) major parts: Housing, Gear Tray, and Suspension Hardware. Integral Drivers supplied by Inter-lux.



*End Caps are supplied loose on **Stand Alone Units** and on **Multi Unit Runs***

See Next Page for
Suspension Hardware
Contents

Need
Help?

60 ProTools Linear

WG-60PTLDI-S48
WG-60PTLDI-S96
WG-60PTLDI-SXX

Direct-Indirect

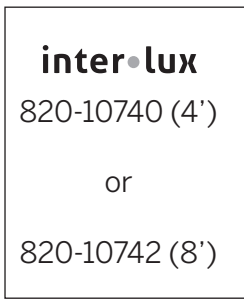
Suspended

2/15

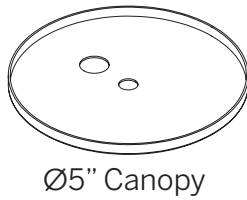
Step 1 - **Open the Box** (continued)

A **Stand Alone Unit**, as well as the **Starting Unit** in a *Multi Unit Run*, is supplied with (2) Suspension Kits. One is the Standard Feed Kit and the other is the Non-Feed Kit. Each **Middle** and **Ending Unit** is supplied with a Non-Feed Kit (unless the run is long enough to require additional Drivers and Feeds.)

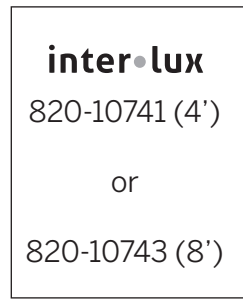
The Standard Feed Kit incorporates a canopy sized for a suspension cable and a power feed. The Non-Feed Kit has the suspension cable only. Both contain hardware to install Fixture to different types of ceilings. The contents of each Kit follows below:



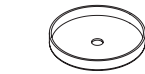
Standard Feed Kit



Ø5" Canopy



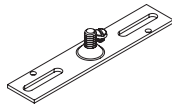
Non-Feed Kit



Ø2" Canopy



Strain Relief
(shown closed)



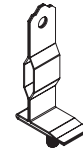
Canopy
Crossbar



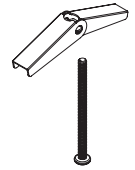
Slotted
Cable Coupler



Plastic Self-Drilling
Drywall Anchor
with Screw



Grid Ceiling
Clip Mount



Toggle Wing
Anchor and Bolt



50" or 100"
Suspension
Cable with
Crimp



Captive
Crosscable
with Gripper



(4) 4" Cable Ties



50" or 100"
Suspension
Cable with
Crimp



Captive
Crosscable
with Gripper



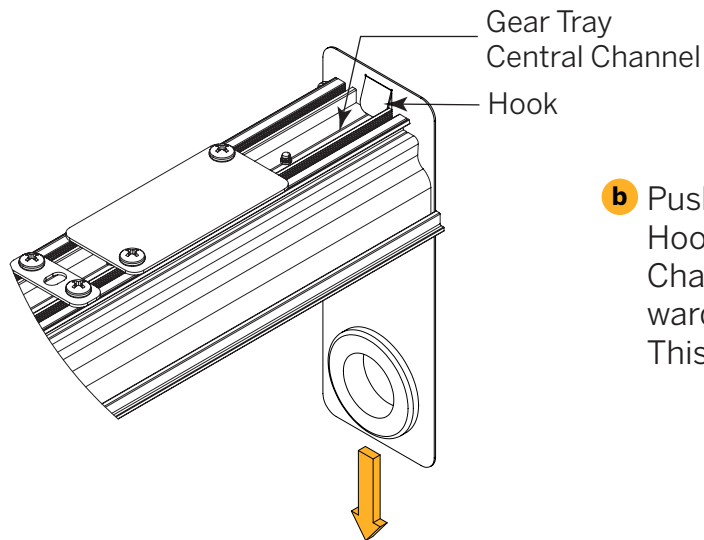
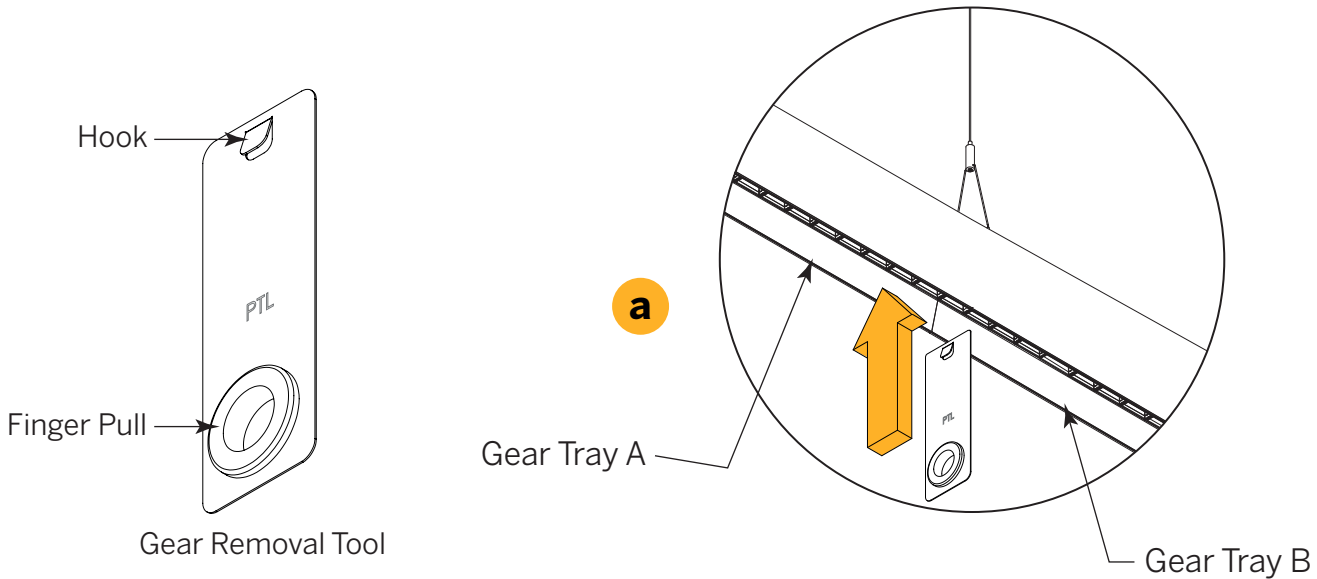
Slotted
Cable Coupler



Step 14 - **Removing Gear Tray**

Should there be a need to remove the Gear Tray, a Gear Tray Removal Tool is provided with every order. The following applies to multiple Gear Trays in a single housing and to a series of Gear Trays in a Multi Unit Run. To use:

- a** Carefully insert Removal Tool in between adjacent Gear Trays. Take care not to scratch nearby surfaces.



- b** Push Tool up into Housing Cavity. The Hook will catch the top Central Channel of the Gear Tray. Pull downward while holding other hand beneath. This will dislodge Gear Tray from Magnet.



60 ProTools Linear

WG-60PTL-S48
WG-60PTL-S96
WG-60PTL-SXX

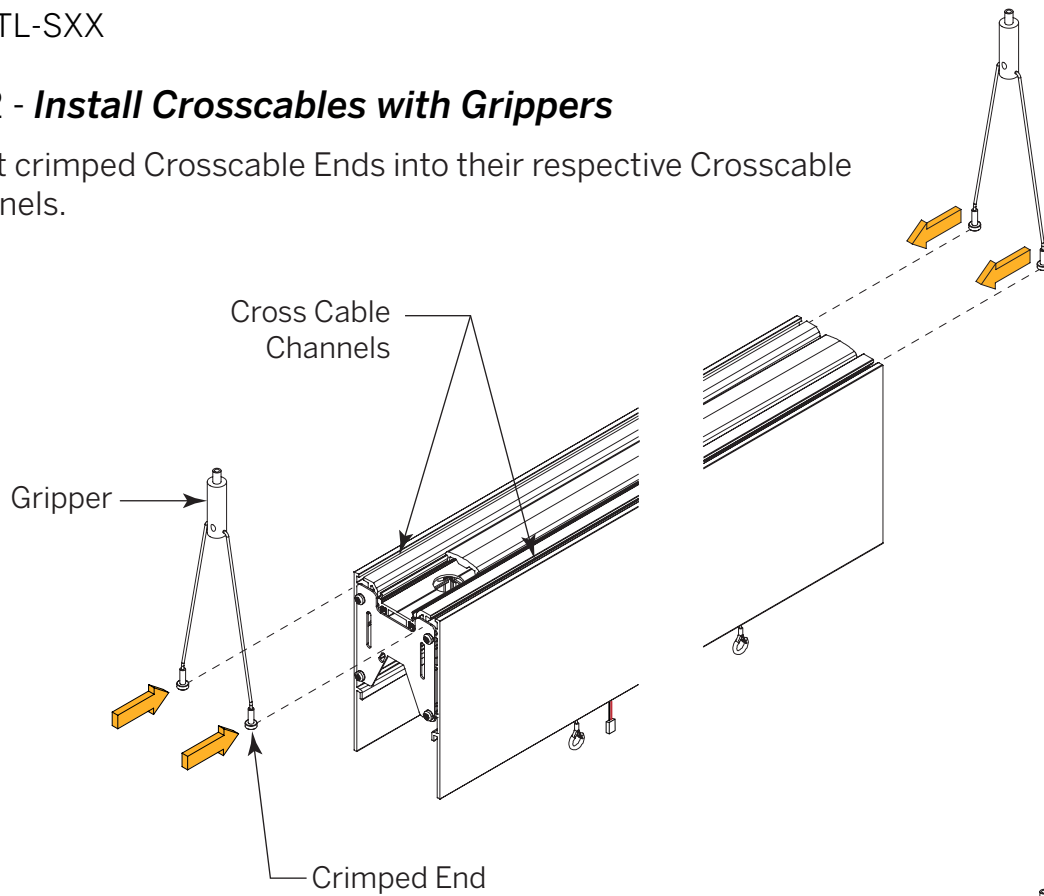
Downlight

Suspended

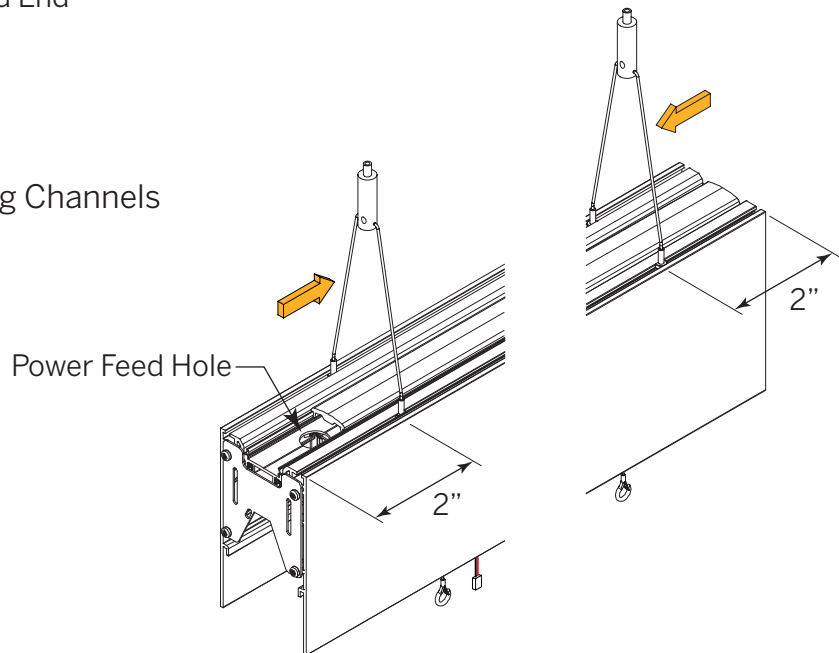
3/15

Step 2 - *Install Crosscables with Grippers*

- a** Insert crimped Crosscable Ends into their respective Crosscable Channels.



- b** Slide each Crosscable inward along Channels 2" from end of Housing.



60 ProTools Linear

WG-60PTLDI-S48
WG-60PTLDI-S96
WG-60PTLDI-SXX

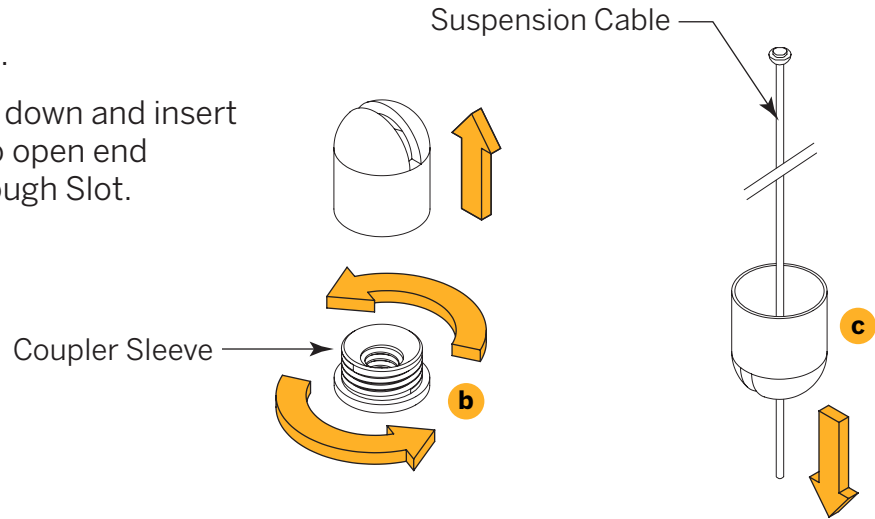
Direct-Indirect

Suspended

4/15

Step 3 - *Insert Feed/Suspension Cable into Slotted Cable Coupler*

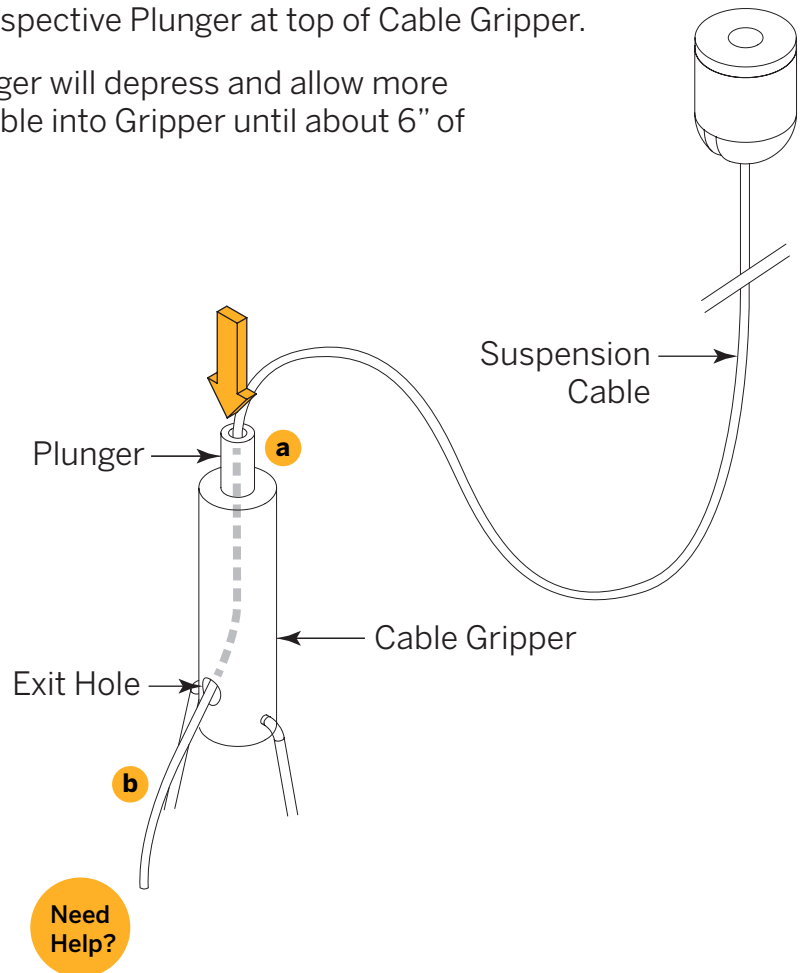
- a** Locate Slotted Cable Coupler.
- b** Unscrew Couple Sleeve. Set Aside.
- c** Turn domed half of Couple upside down and insert Free End of Suspension Cable into open end as shown, and pull Cable fully through Slot.
- d** Rescrew lower portion of Coupler.



Step 4 - *Join Suspension Cables to Cable Grippers*

- a** Insert end of each Suspension Cable into respective Plunger at top of Cable Gripper.
- b** Push Cable further into Cable Gripper. Plunger will depress and allow more Cable to pass through. Continue to feed Cable into Gripper until about 6" of Cable extends out of Exit Hole.

Do not trim excess Cable at this time!



60 ProTools Linear

WG-60PTLDI-S48

WG-60PTLDI-S96

WG-60PTLDI-SXX

Direct-Indirect

Suspended

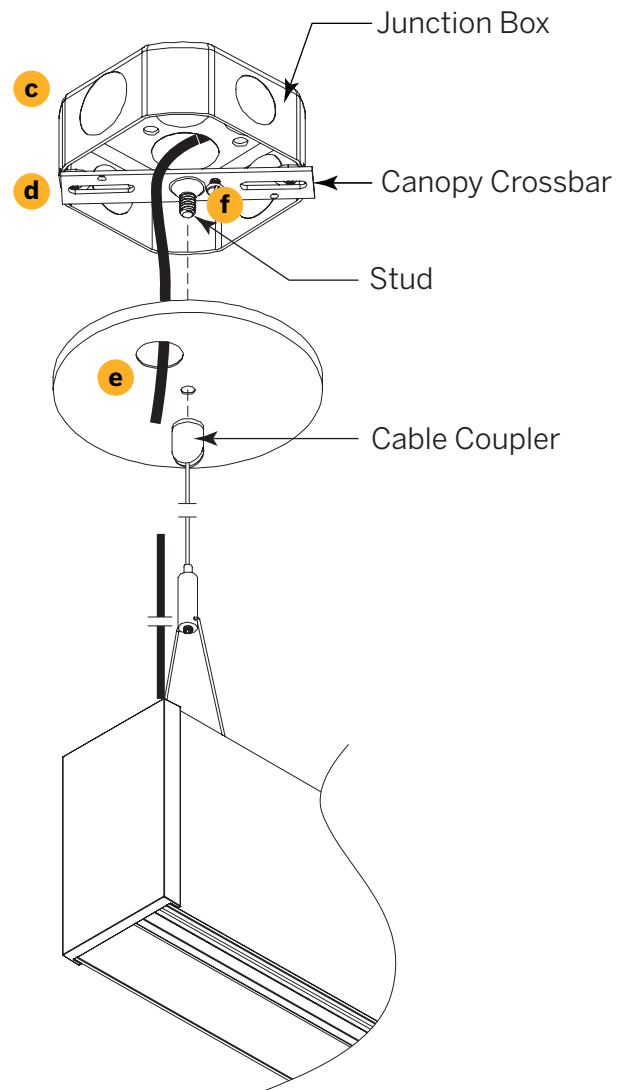
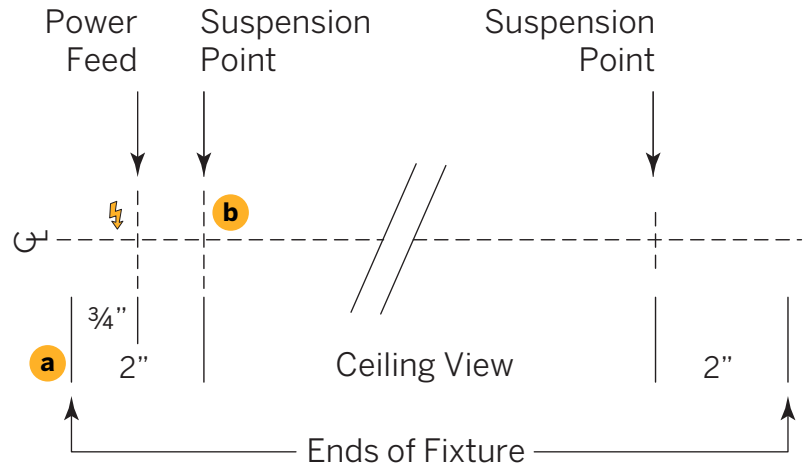
5/15

Step 5 - *Hang Housing*

Stand Alone Unit or
Start Unit on Multi Unit Run

Power Feed Suspension Point

- a** Mark ceiling where Fixture is to begin. Typically, this is the end of the Fixture where the Power Feed will enter.
- b** Locate Junction Box such that center of J-Box (the Suspension Point) will be 2" from end of Fixture.
- c** Install Junction Box and pull Power Feed into Box.
- d** Mount Canopy Crossbar onto Junction Box using appropriate screws (supplied by others). Stud points downwards.
- e** Locate 5" Canopy. Pull Incoming Power Feed through large hole, and place Canopy onto Stud through small hole.
- f** With an assistant, raise Suspension Cable and Slotted Cable Coupler to Stud. Fasten Coupler to Stud.



Need Help?

60 ProTools Linear

WG-60PTLDI-S48

WG-60PTLDI-S96

WG-60PTLDI-SXX

Direct-Indirect

Suspended

6/15

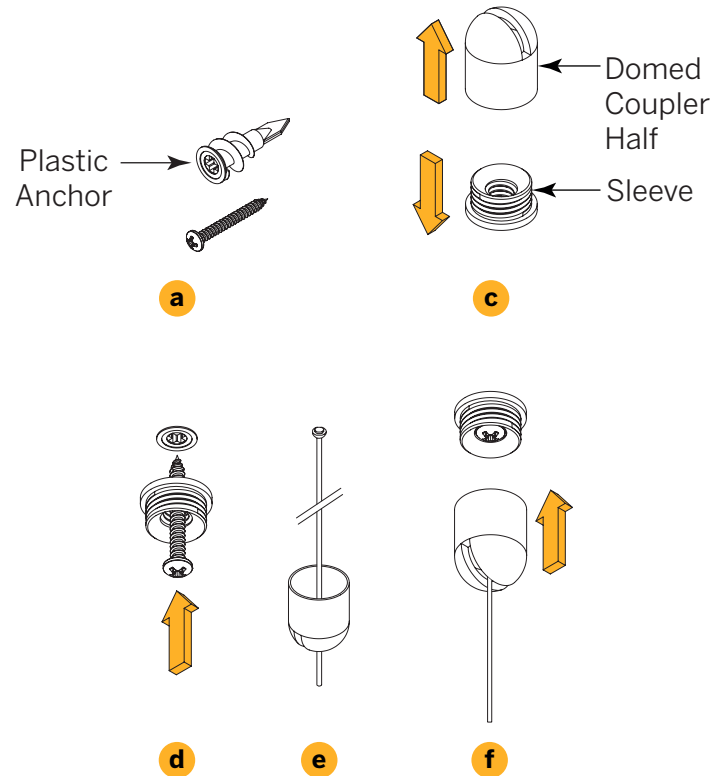
Step 5 - **Hang Housing** (continued)

Stand Alone Unit or
Start Unit on Multi Unit Run

Non-Feed Suspension Point

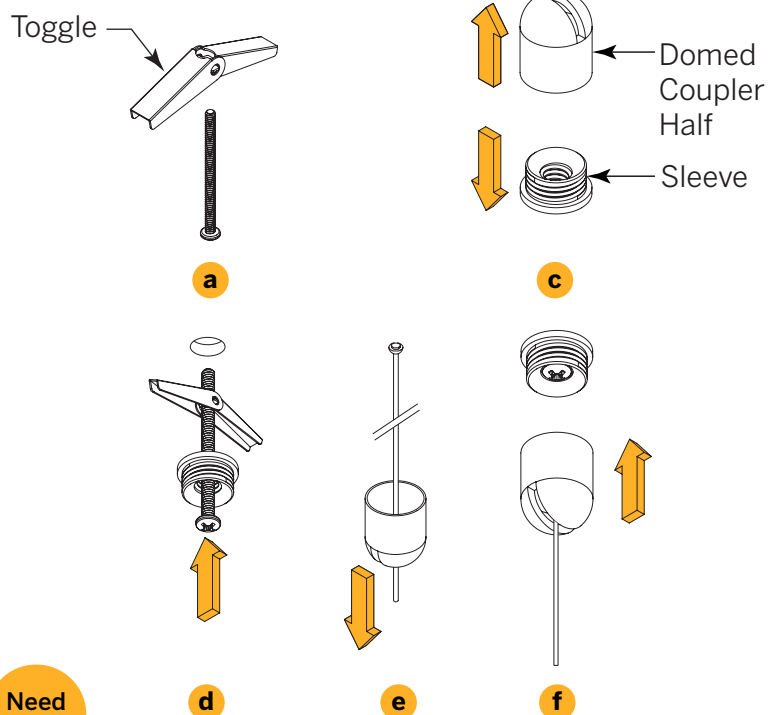
Drywall Ceiling

- a** Locate supplied Plastic Screw-in Anchor and Screw.
- b** Screw in Plastic Anchor at mark for Non-Feed Suspension (see illustration at top of page in Part 1).
- c** Locate Slotted Cable Coupler. Unscrew Coupler Sleeve. Set upper domed portion aside.
- d** Insert Screw through Coupler Sleeve, and then into Plastic Anchor in ceiling.
- e** Insert plain end of Suspension Cable into domed half of Cable Coupler and through Slot.
- f** Fasten Coupler Sleeve to ceiling. Rescrew Upper Coupler to Sleeve.



Hard Ceiling

- a** Locate Toggle Wing Anchor and Bolt.
- b** Drill hole sized for Toggle at mark for Non-Feed Suspension (see illustration at top of page 5).
- c** Locate Slotted Cable Coupler. Unscrew Coupler Sleeve. Set upper domed portion aside.
- d** Insert Bolt through Coupler Sleeve and into Toggle. Insert Toggle into drilled hole.
- e** Insert plain end of Suspension Cable into domed half of Cable Coupler and through Slot.
- f** Fasten Coupler Sleeve to ceiling. Rescrew domed Couple half to Sleeve.



Need Help?

60 ProTools Linear

WG-60PTLDI-S48

WG-60PTLDI-S96

WG-60PTLDI-SXX

Direct-Indirect

Suspended

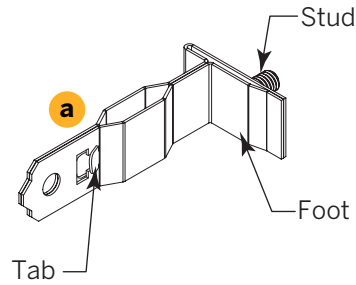
7/15

Step 5 - **Hang Housing** (continued)

**Stand Alone Unit or
Start Unit on Multi Unit Run**

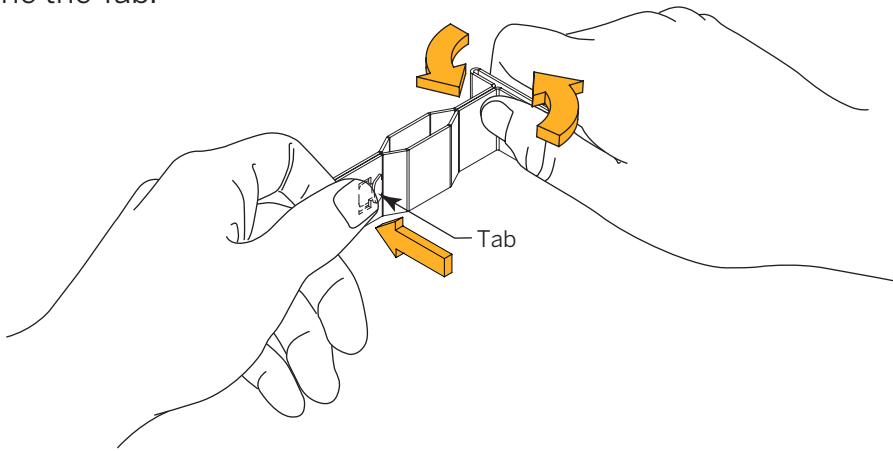
Non-Feed Suspension Point

Grid Ceiling

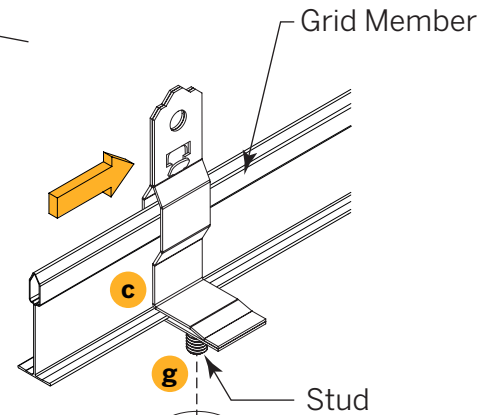


a Locate Grid Ceiling Clip Mount.

b To open Clip, hold in both hands as shown below. Using right index finger as a fulcrum, bend Foot while lightly pressing on the Tab. This will slide the closest half of the clip rightward and release the Tab.



c Slide Bracket onto Grid Member with the T-Bar inserted through the Foot and Bulb between the two halves. Snap halves back together.

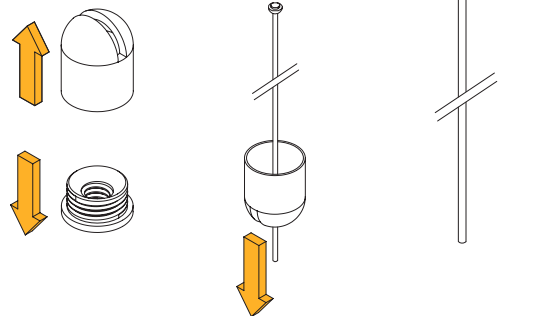


d Locate Slotted Cable Coupler. Unscrew Coupler Sleeve. Set aside.

e Insert plain end of Suspension Cable into domed half of Cable Coupler and through Slot.

f Rescrew domed Coupler half to Sleeve.

g Screw Cable Coupler to Stud.



Need Help?

60 ProTools Linear

WG-60PTLDI-S48
WG-60PTLDI-S96
WG-60PTLDI-SXX

Direct-Indirect

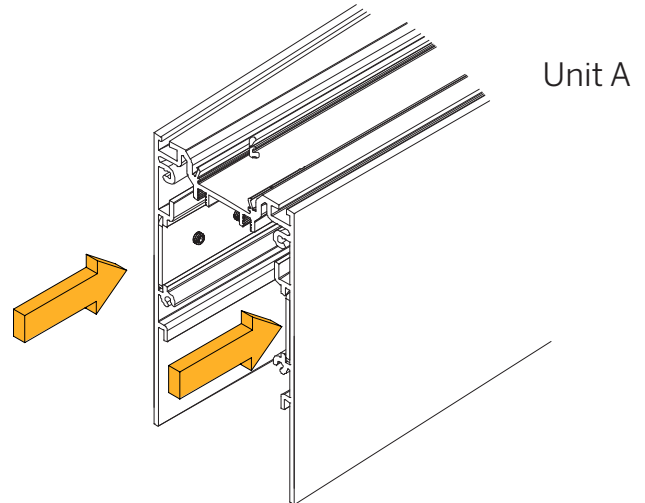
Suspended

8/15

Step 6 - **Install Joiners** - Multi Unit Run only

With Starting Unit fully suspended, slide a Joiner on end opposite End Cap completely into each interior channel on each side of Housing, as shown.

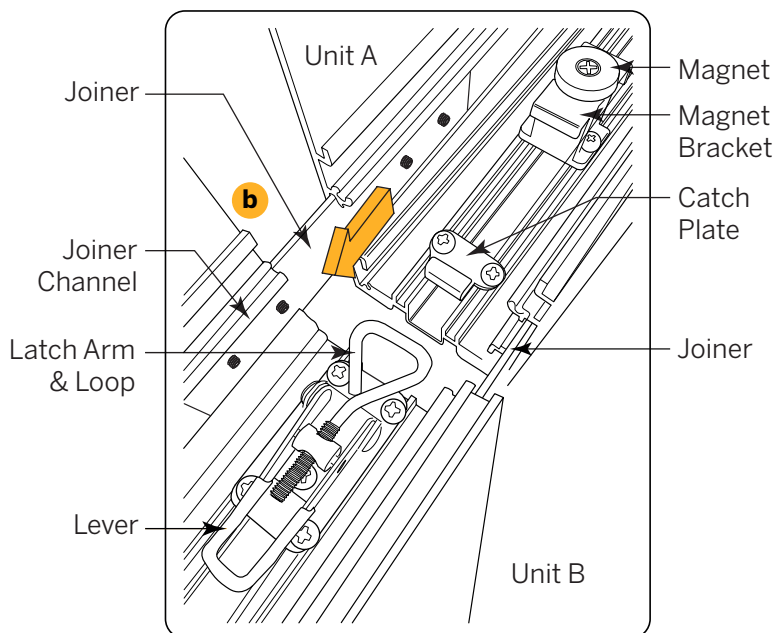
Do not fasten Joiners to Housing at this time.



Step 7 - **Hang Middle or Ending Housing** - Multi Unit Run only

Adjoining Units are suspended by Non-Feed Suspension Kits unless addition Feed points are required. Follow instructions for Hanging Housings in **Step 4** for Non-Feed Suspension Points. Repeat for each Middle Unit.

Step 8 - **Joining Units** - Multi Unit Run only



- a** Level all Housings in Run.
- b** Slide Joiners of Starting Unit (Unit A) into matching Channels of adjacent unit (Unit B).
- c** Draw units completely together. Hook Latch Arm & Loop over Catch Plate. Adjust length of Latch Arm by rotating Latch Arm Screw through Barrel.
- d** Press Lever fully down to lock.

Need Help?

60 ProTools Linear

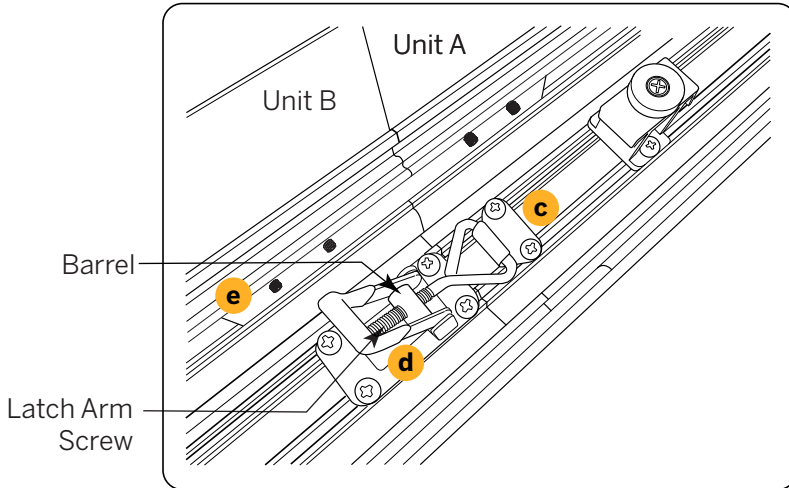
WG-60PTLDI-S48
WG-60PTLDI-S96
WG-60PTLDI-SXX

Direct-Indirect

Suspended

9/15

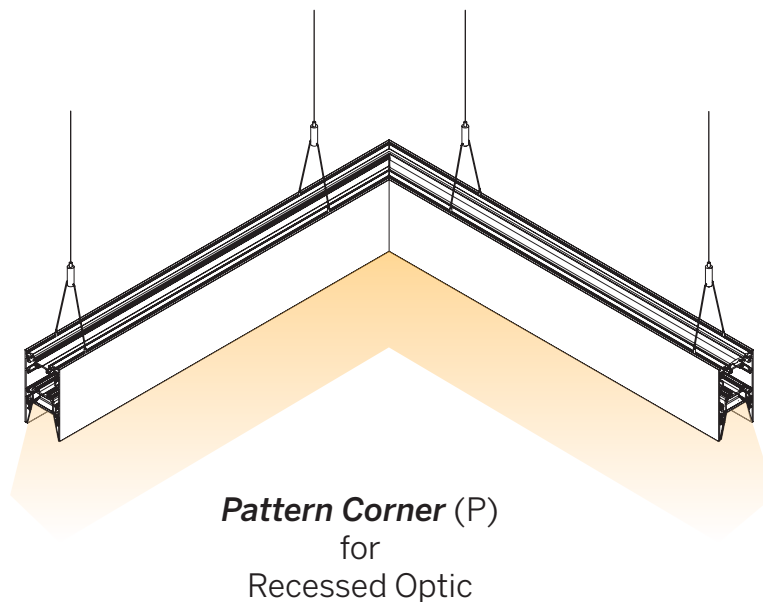
Step 8 - **Joining Units** (continued)



- e** Center each Joiner on Housing Joint.
- f** Tighten all Set Screws on both Joiners. **Do not** overtighten. Overtightening risks deforming Housing surface.
- g** Repeat **Step 8** for each Middle Unit and/or Ending Unit.

Step 9 - **Install Corners** - Multi Unit Run only

The Pattern Corner (P), Pattern Inside Corner (PI), and Pattern Outside Corner (PO) are welded at the factory. Corners use same Latch Arm and Catch Plate joining system as on straight units. Follow **Steps 2-7** to mount to existing Run. Illustration of light output below shows direction only, and is not indicative of actual color, intensity, or spread.



60 ProTools Linear

WG-60PTLDI-S48

WG-60PTLDI-S96

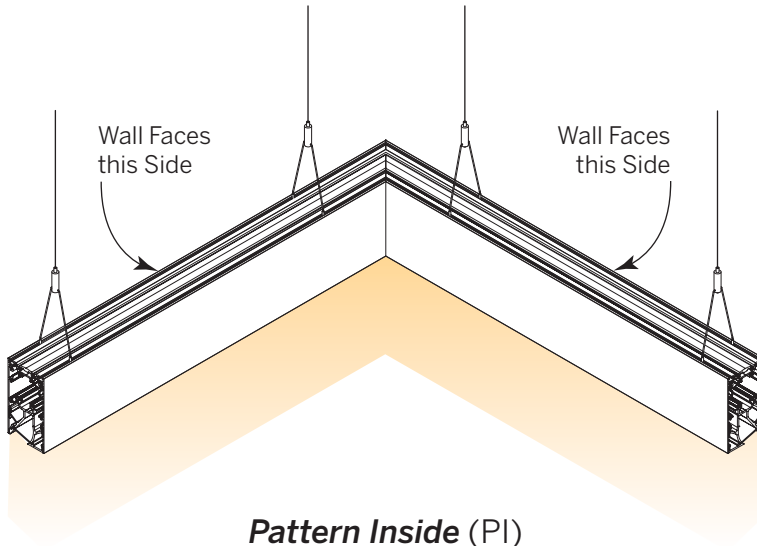
WG-60PTLDI-SXX

Direct-Indirect

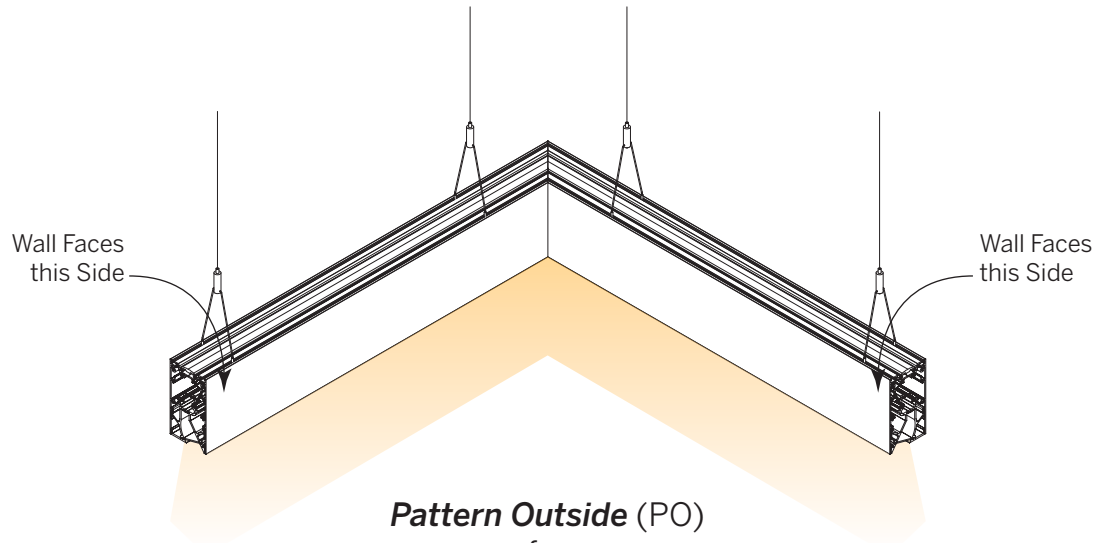
Suspended

10/15

Step 9 - *Install Corners* (continued)



Pattern Inside (PI)
for
Recessed Wall Wash



Pattern Outside (PO)
for
Recessed Wall Wash



60 ProTools Linear

WG-60PTLDI-S48
WG-60PTLDI-S96
WG-60PTLDI-SXX

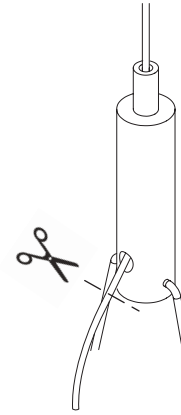
Direct-Indirect

Suspended

11/15

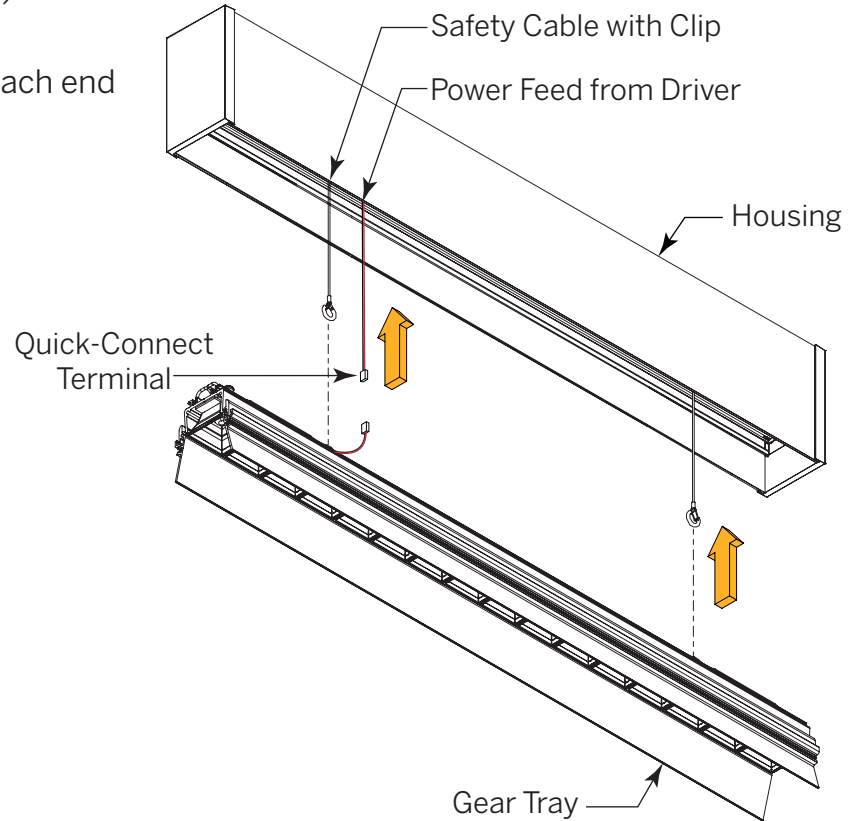
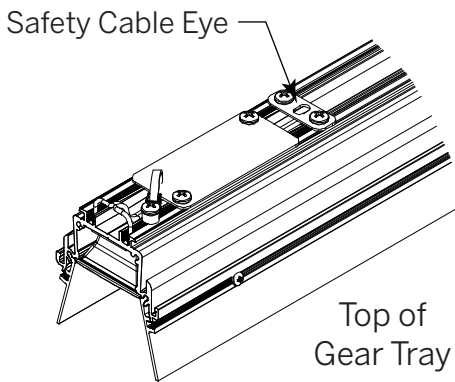
Step 10 - *Trim Suspension Cables*

Trim excess Suspension Cable exiting from each Gripper.



Step 11 - *Hang Gear Tray(s)*

- a** Locate Safety Cables and Power Feed(s) from Driver(s) inside Housing.
- b** Clip Safety Cables to Hanging Eyes at each end of Gear Tray.



- c** Clip Power Feed(s) from Gear Tray to those in Housing with attached Quick-Connect terminals.

NOTE: The number of Drivers depends on length of Fixture and Power Levels specified. As such, there may be more than one Driver and Luminaire Power Feed. Similarly, controllers will add a second pair of feeds to each Driver.



60 ProTools Linear

WG-60PTLDI-S48
WG-60PTLDI-S96
WG-60PTLDI-SXX

Direct-Indirect

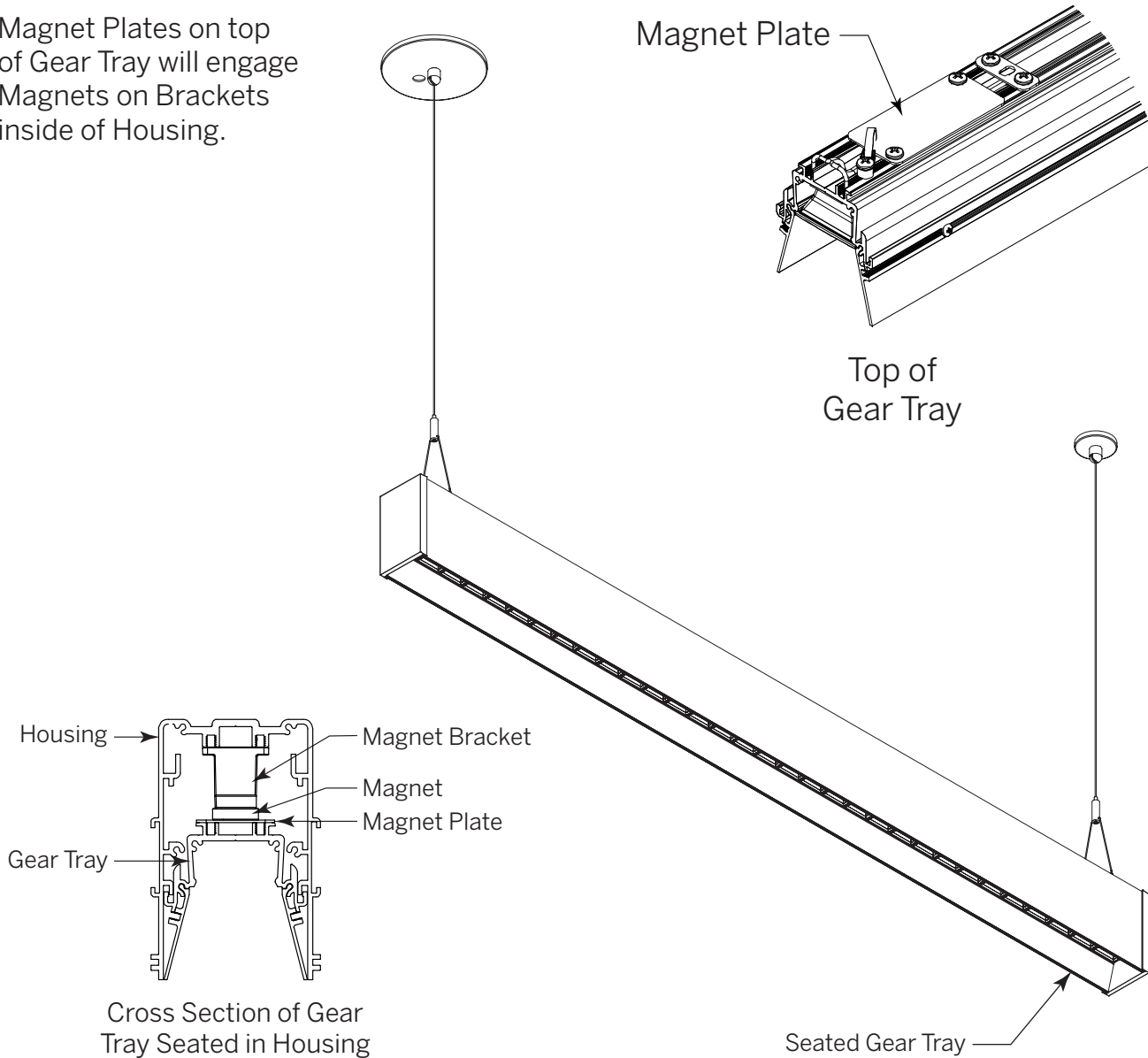
Suspended

12/15

Step 12 - *Install Gear Tray into Housing*

a While attached to Safety Cables, lift and insert Gear Tray into Housing.

b Magnet Plates on top of Gear Tray will engage Magnets on Brackets inside of Housing.



60 ProTools Linear

WG-60PTLDI-S48
WG-60PTLDI-S96
WG-60PTLDI-SXX

Direct-Indirect

Suspended

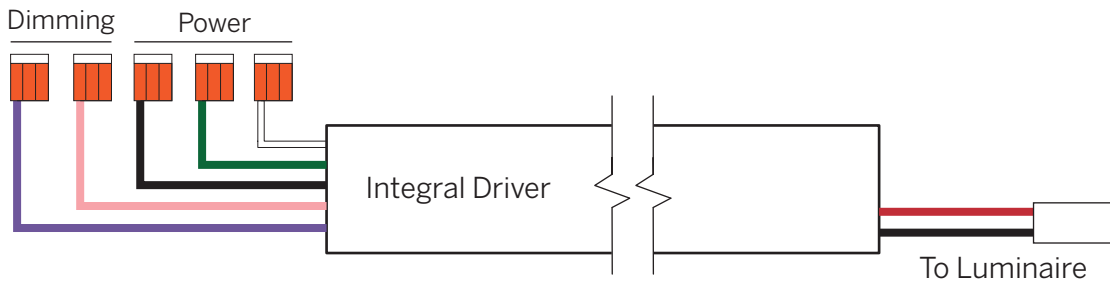
13/15

Step 13 - Wiring

Stand Alone Unit or Starting Unit in Multi Unit Run

Stand Alone Unit

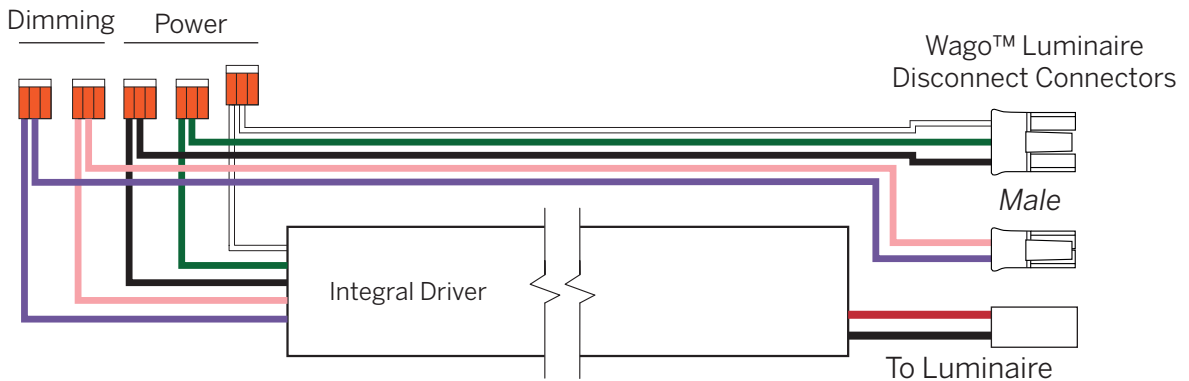
Five wires extend from Integral Driver on the Gear Tray and terminate with Wago™ Connectors. Connect these wires to incoming Power Feed.



See bottom of p. 14 for installation of Power Feed Cable into Canopy.

Multi Unit Run - Start Unit

Five wires extend from Integral Driver on the Gear Tray and terminate with three-pole Wago™ Connectors. Connect these wires to the Power Feed. To connect to the next unit in Run, use the pair of Male Wago™ Luminaire Disconnect Connectors.



60 ProTools Linear

WG-60PTLDI-S48
WG-60PTLDI-S96
WG-60PTLDI-SXX

Direct-Indirect

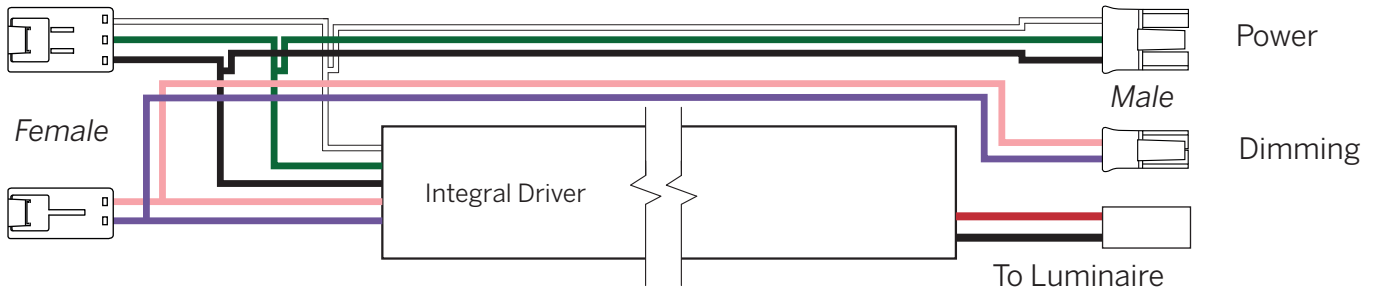
Suspended

14/15

Step 13 - **Wiring** (continued)

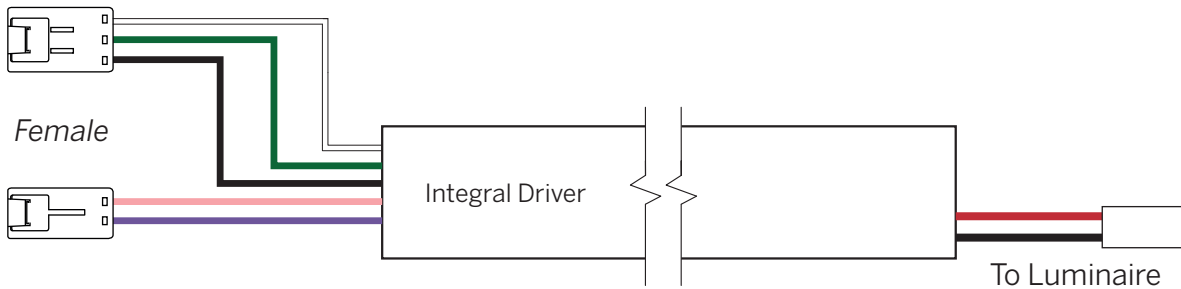
Multi Unit Run - Middle Unit(s)

There are no wires that connect to the Power Feed (except if Middle Unit contains a pair of Drivers). To connect to the previous and the next units in Run, use the Female and Male pairs of Wago™ Luminaire Disconnect Connectors on either side of the of the Integral Driver .

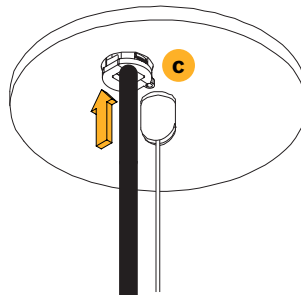
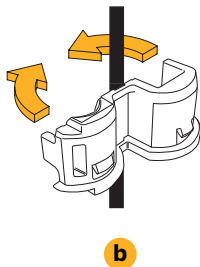
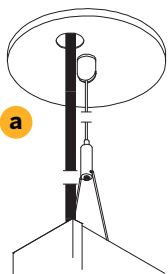


Multi Unit Run - End Unit

The Integral Driver on the Gear Tray of the End Unit terminates with one pair of Female Wago™ Luminaire Disconnect Connectors.



- a** As each incoming conductor is connected to its corresponding Wago™, push it into the large hole in the 5" Canopy.
- b** Locate Strain Relief.
- c** Close Strain Relief around Power Feed and insert into large hole.
- d** Use the 4" Cable Ties to bind the Power Feed to the Suspension Cable.



e Energize!

