

60 ProTools Linear

WG-60PTLP-RGT9/15
WG-60PTLPSG1-RGT9/15
WG-60PTLPSG2-RGT9/15
WG-60PTLPSG3-RGT9/15

Perimeter

Recessed Grid Trim

Installation Instructions

Luminaires must be installed by a qualified electrician. Check with local and national codes for proper installation.



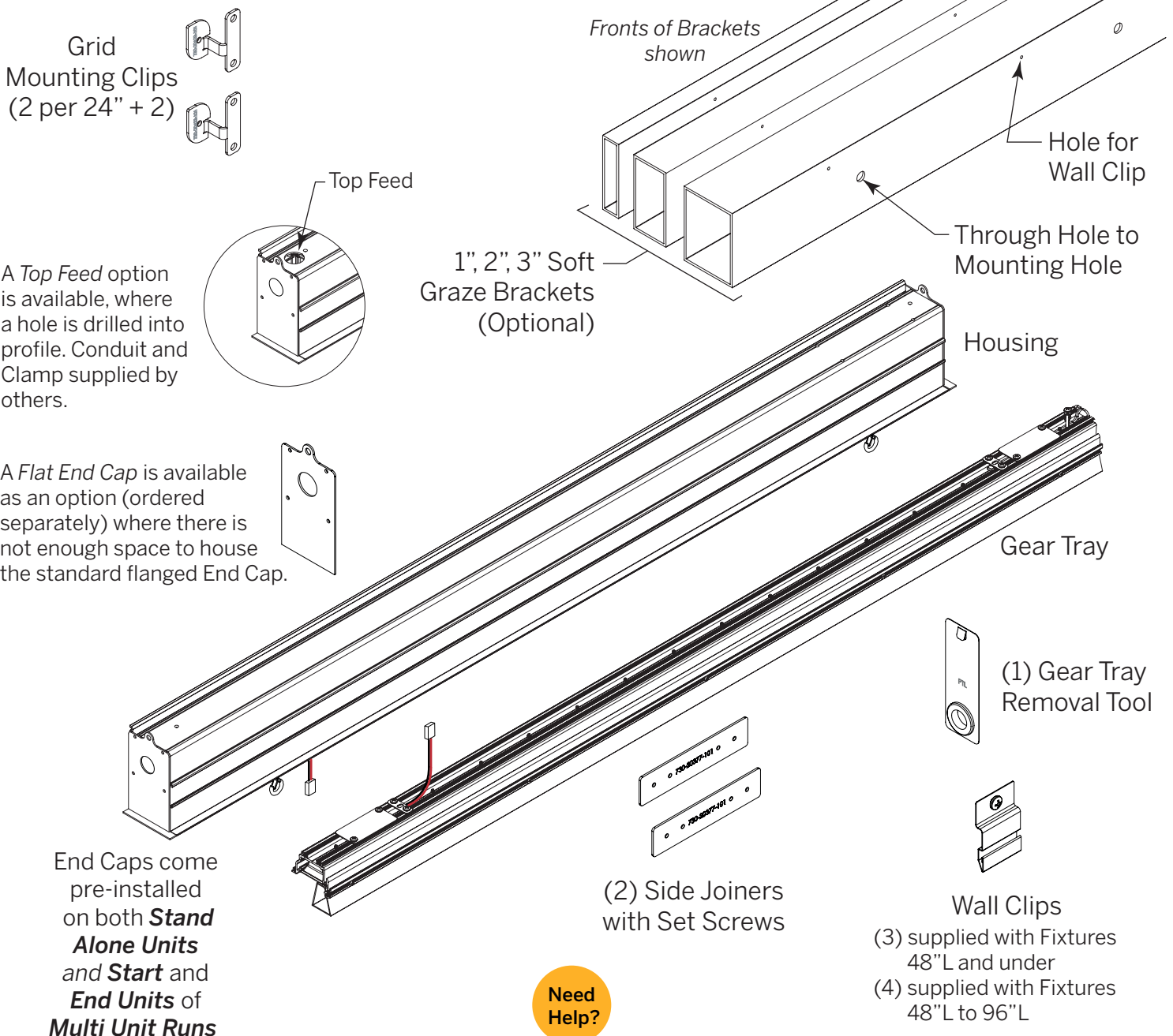
To prevent electrical shock disconnect electrical supply before installation or servicing.

Never connect a live fixture!!!

Contractor is responsible for adequately reinforcing walls and/or ceilings to support fixture weight. Provide blocking when necessary.

Step 1 - Open the Box

Unpack luminaire unit. Unit consists of **two** major parts: Housing and Gear Tray with Lens/Diffuser. If Soft Graze option specified, Soft Graze Bracket is an **additional** major part. Integral Drivers supplied by Inter-lux.



A *Top Feed* option is available, where a hole is drilled into profile. Conduit and Clamp supplied by others.

A *Flat End Cap* is available as an option (ordered separately) where there is not enough space to house the standard flanged End Cap.

End Caps come pre-installed on both **Stand Alone Units** and **Start** and **End Units** of **Multi Unit Runs**



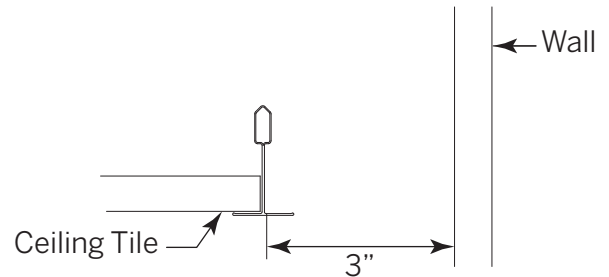
60 ProTools Linear

WG-60PTLP-RGT9/15
WG-60PTLPSG1-RGT9/15
WG-60PTLPSG2-RGT9/15
WG-60PTLPSG3-RGT9/15

Step 2 - Installation Prep

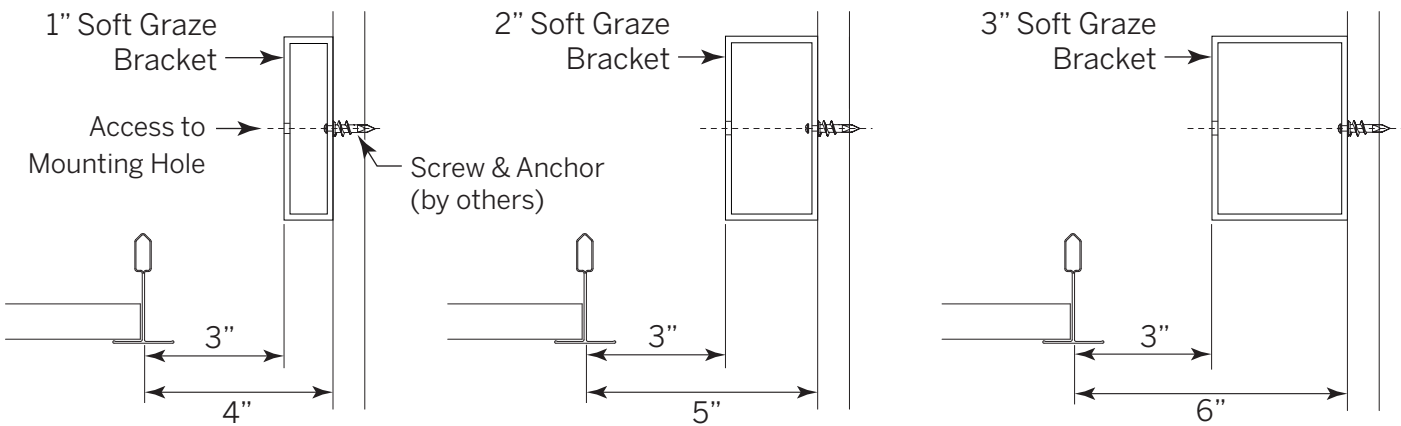
Direct Wall Mount

Allow an opening of 3" between Wall and Grid Member.



Soft Graze Mount

If order specifies Soft Graze illumination, install the Soft Graze Bracket **now** using screws and anchors (supplied by others). Opening between Wall and Grid Member increases as follows:



No Ceiling Grid in Place vs. Ceiling Grid in Place

If Grid Ceiling **is not** yet in place, continue next page.

If Grid Ceiling **is already** in place, begin with **Step 11**, page 9.



60 ProTools Linear

WG-60PTLP-RGT9/15
WG-60PTLPSG1-RGT9/15
WG-60PTLPSG2-RGT9/15
WG-60PTLPSG3-RGT9/15

Perimeter

Recessed Grid Trim

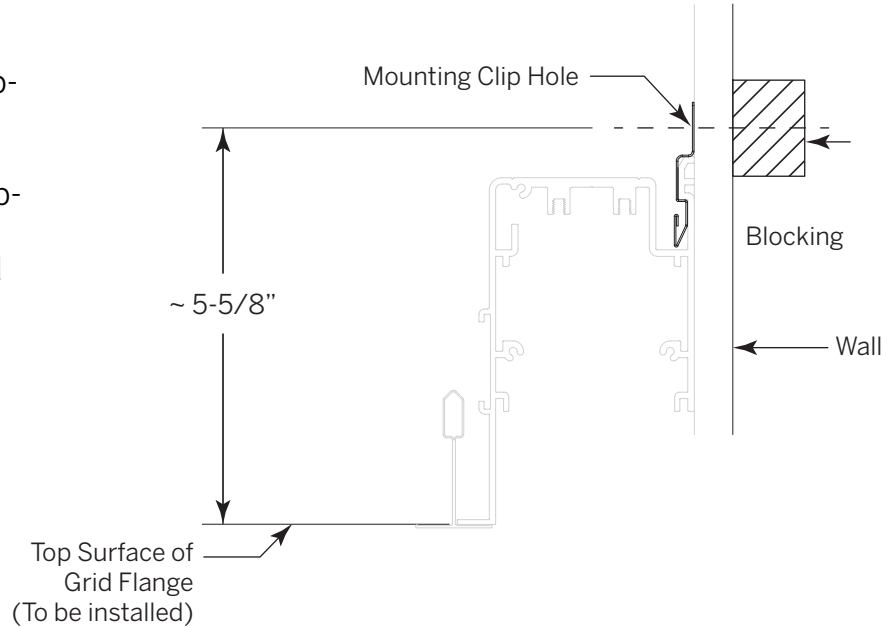
No Grid in Place

3/17

Step 3 - **Install Wall Clips** - Stand Alone or Multi Unit Run; No Grid in Place

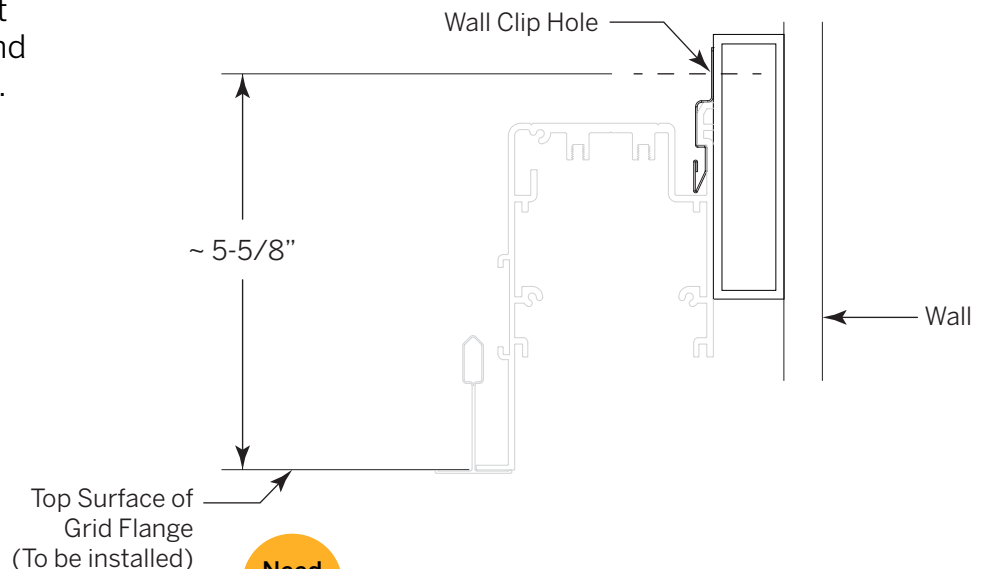
Direct Wall Mount

- a** Determine mounting location relative to exposed surface of ceiling, approximately 5-5/8" as shown below. Lay out a level line for all Wall Clips, whether a single Stand Alone Unit or a Multi Unit Run.
- b** Add Blocking behind Wall support weight of fixture, and fasten Clips to Wall with screws and anchors (supplied by others). Locate Clips no less that 3" from each end of Fixture. Clip spacing is (1) per foot on centers.



Soft Graze Mount

- a** Determine mounting location of Soft Graze Bracket such that center of Wall Clip Hole is approximately 5-5/8" from top of Grid Member Flange, as shown below.
- b** Fasten Mounting Clips to Soft Graze Bracket with screws and anchors (supplied by others).



60 ProTools Linear

WG-60PTLP-RGT9/15
WG-60PTLPSG1-RGT9/15
WG-60PTLPSG2-RGT9/15
WG-60PTLPSG3-RGT9/15

Perimeter
Recessed Grid Trim

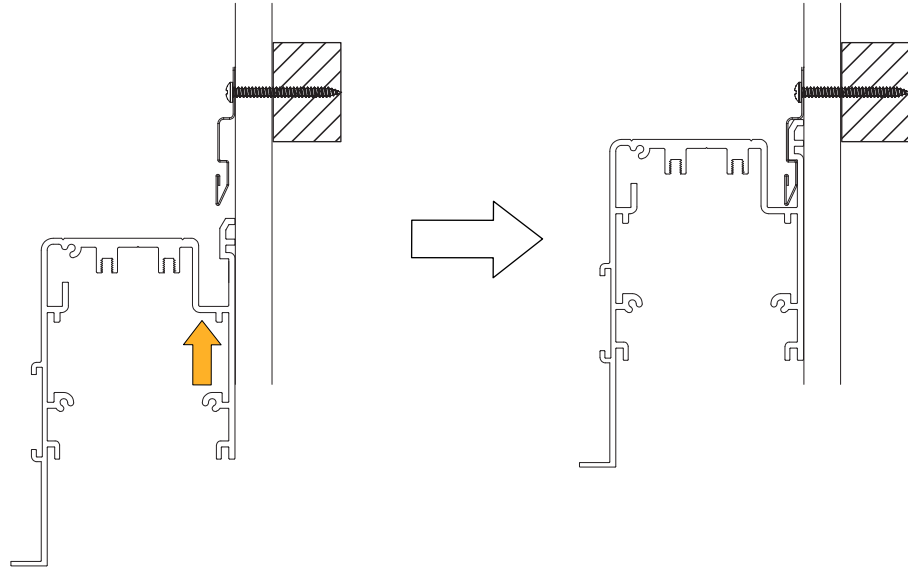
4/17

Step 4 - ***Install Housing*** - No Grid in Place

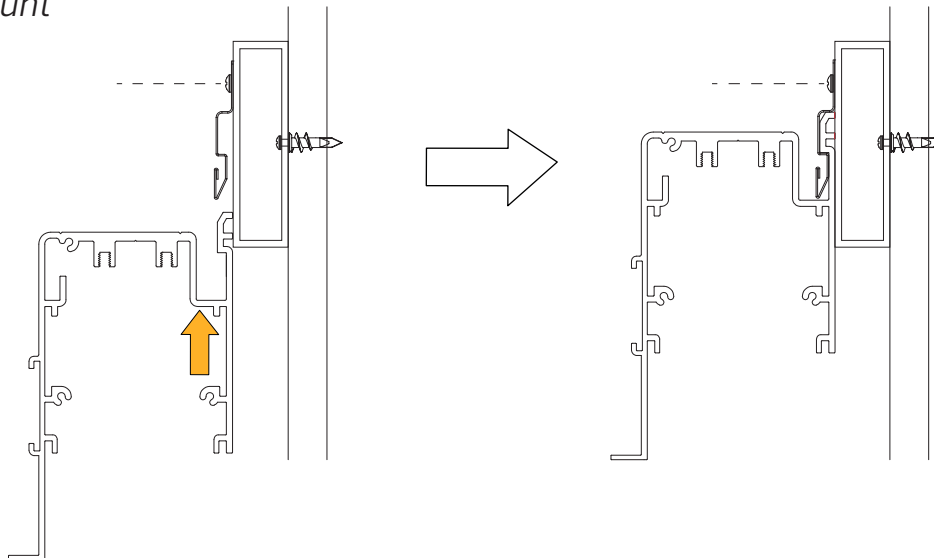
Stand Alone Unit or First Unit in Multi Unit Run

Slide Housing up against Wall, or up against Soft Graze Bracket, as shown. Uppermost portion of Housing slides up and under Mounting Clip.

Direct Wall Mount



Soft Graze Mount



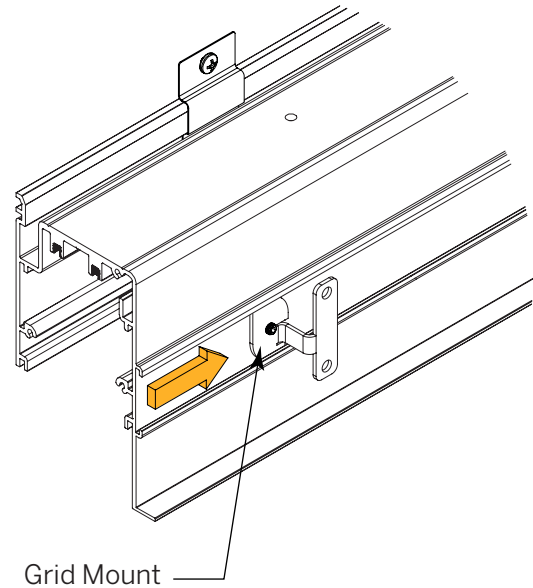
60 ProTools Linear

WG-60PTLP-RGT9/15
WG-60PTLPSG1-RGT9/15
WG-60PTLPSG2-RGT9/15
WG-60PTLPSG3-RGT9/15

Step 5 - **Install Grid Mounts** - No Grid in Place

- a** Slide (1) Grid Mounts into major exterior channel from *each end* of Housing.
- b** Slide Grid Mounts at least 2½" into channel.
- c** Fasten Grid Mounts to Housing using supplied Set Screw.

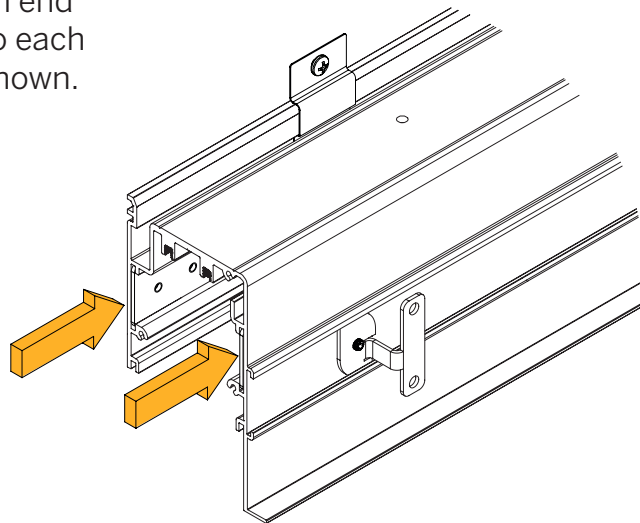
NOTE: Number of Grid Mounts supplied depends on length of Housing. Space evenly.



Step 6 - **Install Joiners** - Multi Unit Run only; No Grid in Place

With Start Unit fully mounted, slide a Joiner on end of first Middle Unit or End Unit completely into each interior channel on each side of Housing, as shown.

Do not fasten Joiners to Housing at this time.



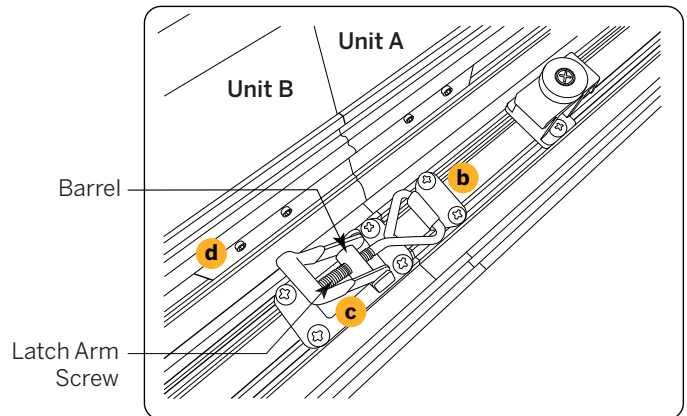
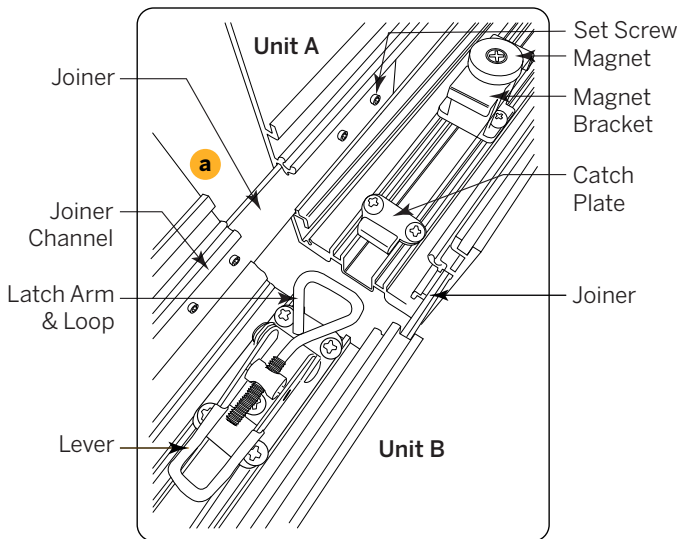
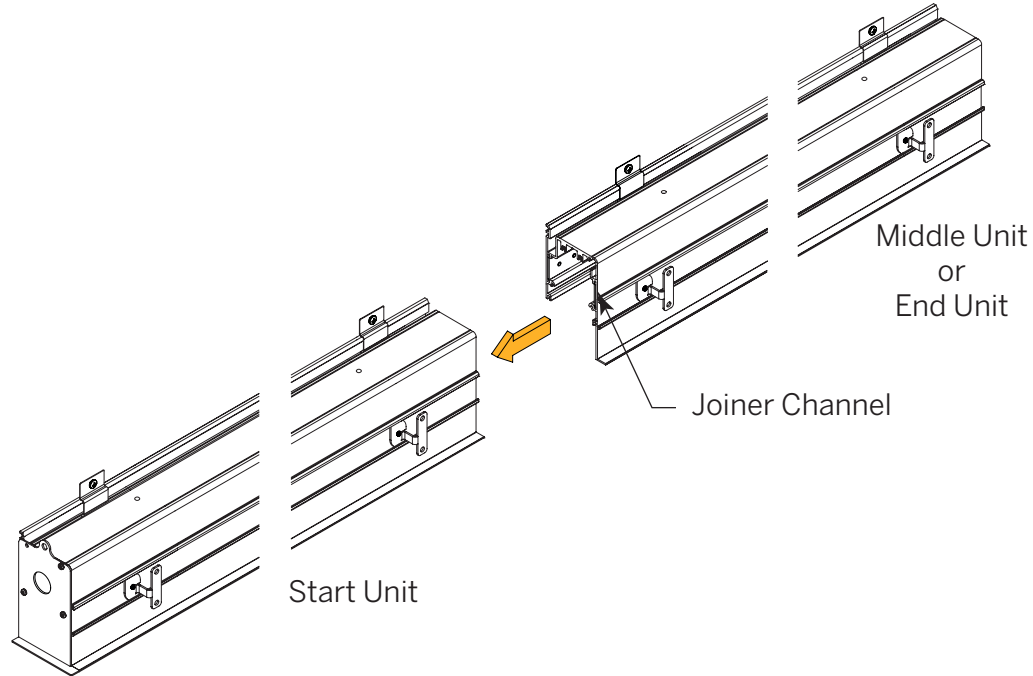
60 ProTools Linear

WG-60PTLP-RGT9/15
WG-60PTLPSG1-RGT9/15
WG-60PTLPSG2-RGT9/15
WG-60PTLPSG3-RGT9/15

Perimeter Recessed Grid Trim

6/17

Step 7 - **Joining Housings** - Multi Unit Run only; No Grid in Place



- a** Insert Joiners of Unit A (Middle or End Unit) into Joiner Channels of Unit B (adjacent unit).
- b** Draw units completely together. Hook Latch Arm & Loop over Catch Plate. Adjust length of Latch Arm by rotating Latch Arm Screw through Barrel.

- c** Press Lever fully down to lock.
- d** Center each Joiner on Housing Joint.
- e** Tighten all Set Screws on both Joiners. **Do not** overtighten. Overtightening risks deforming Housing surface.
- f** Repeat **Steps 8 & 9** for each Middle Unit and/or End Unit.

Need
Help?

60 ProTools Linear

WG-60PTLP-RGT9/15
WG-60PTLPSG1-RGT9/15
WG-60PTLPSG2-RGT9/15
WG-60PTLPSG3-RGT9/15

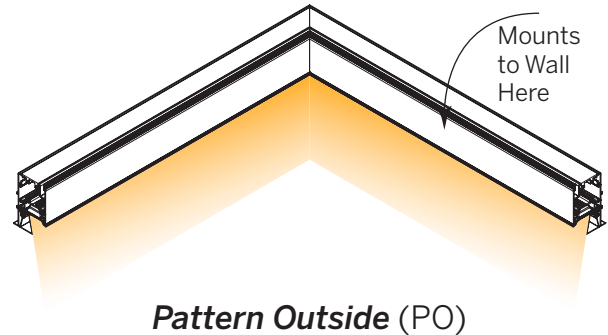
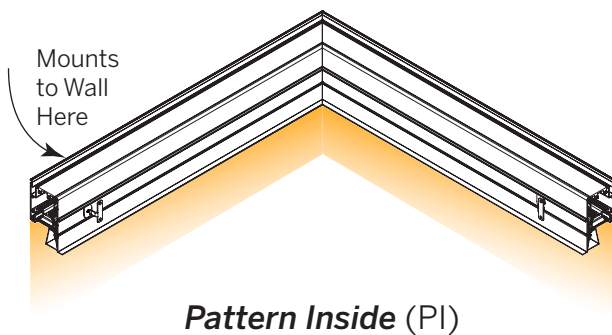
Perimeter

Recessed Grid Trim

7/17

Step 8 - **Corners** - Multi Unit Run only; No Grid in Place

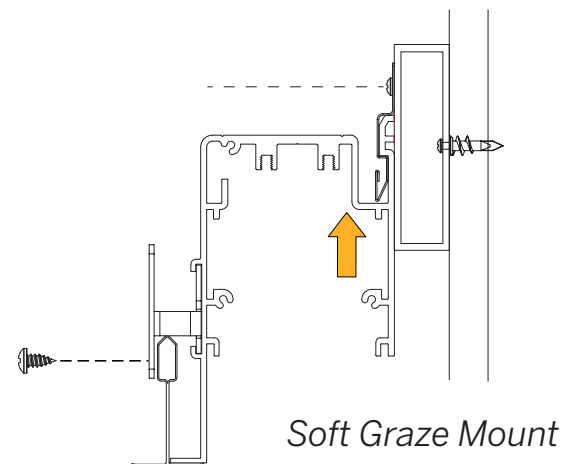
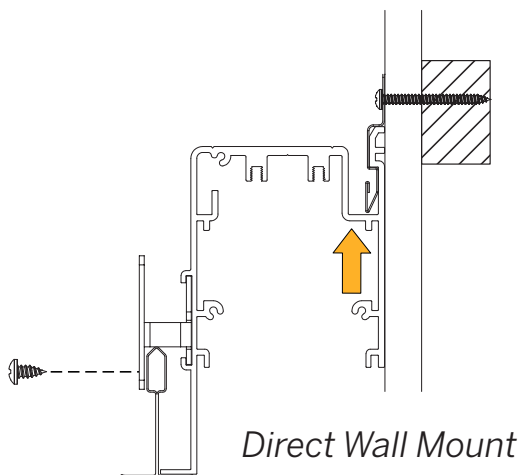
Pattern Inside (PI) and Pattern Outside (PO) Corners are welded at the factory. Follow **Steps 6 & 7** to mount to existing Run. Corners use same Latch Arm and Catch Plate joining system as on straight units. Illustration of light output shows direction only, and is not indicative of color, intensity, or actual spread.



NOTE: Grid Clips not seen in this view.

Step 9 - **Fasten Housings to Grid** - No Grid in Place

When Grid Ceiling is hung, fasten Grid Mounts to Grid Members using appropriately-sized screws (by others).



60 ProTools Linear

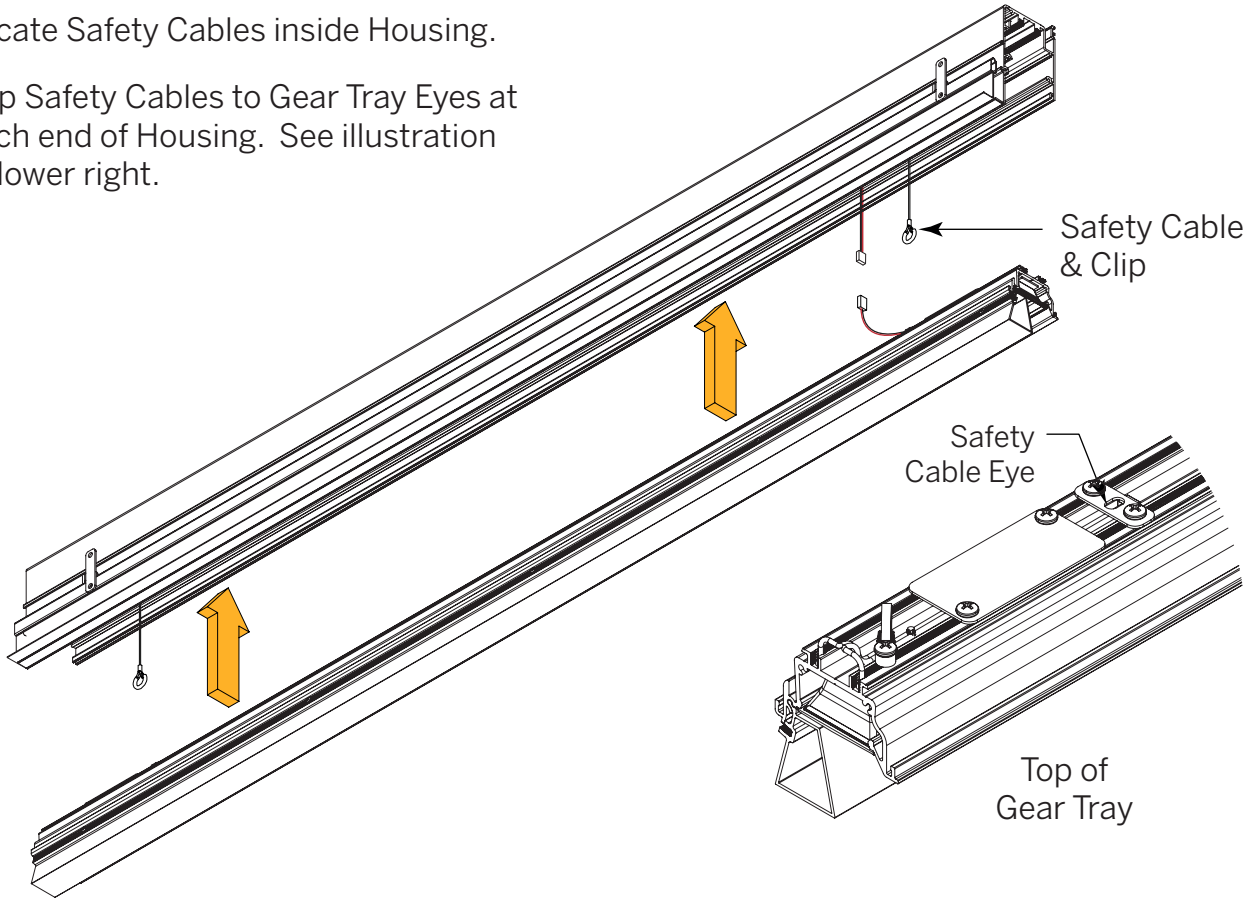
WG-60PTLP-RGT9/15
WG-60PTLPSG1-RGT9/15
WG-60PTLPSG2-RGT9/15
WG-60PTLPSG3-RGT9/15

Perimeter
Recessed Grid Trim

8/17

Step 10 - *Hang Gear Tray*

- a** Locate Safety Cables inside Housing.
- b** Clip Safety Cables to Gear Tray Eyes at each end of Housing. See illustration at lower right.



For Wiring and Placing
Gear Tray in Housing,
skip to **Step 20**, page 15.

60 ProTools Linear

WG-60PTLP-RGT9/15
WG-60PTLPSG1-RGT9/15
WG-60PTLPSG2-RGT9/15
WG-60PTLPSG3-RGT9/15

Perimeter

Recessed Grid Trim

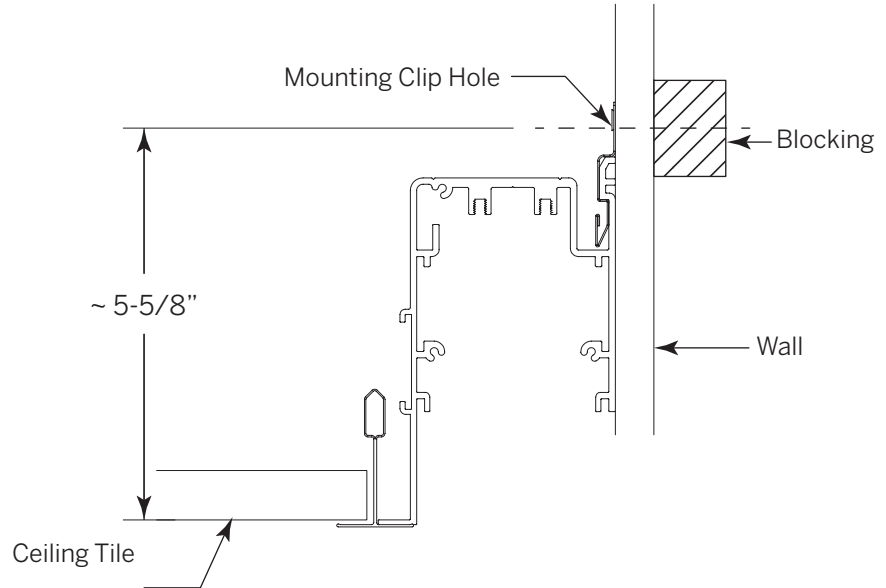
Grid in Place

9/17

Step 11- **Install Wall Clips** - Stand Alone or Multi Unit; Grid in Place

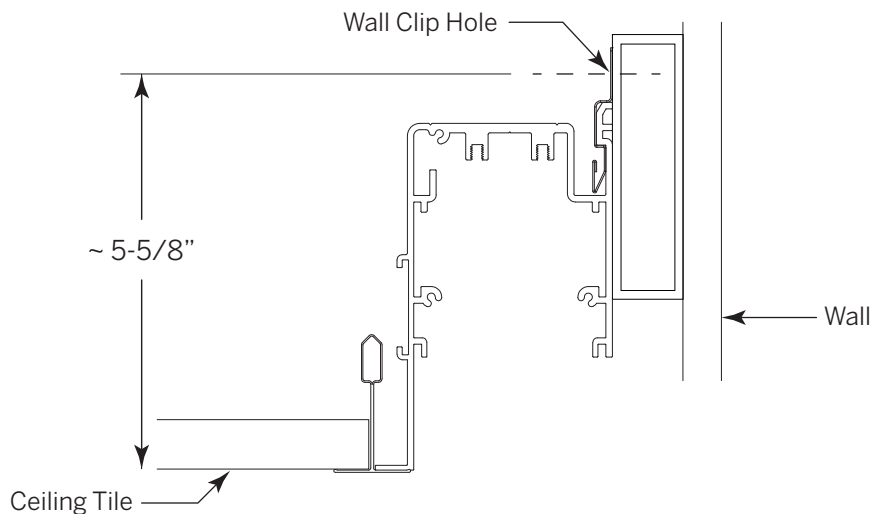
Direct Wall Mount

- a** Determine mounting location relative to exposed surface of ceiling, approximately 5-5/8" as shown below. Lay out a level line for all Mounting Clips, whether a single Stand Alone Unit or a Multi Unit Run.
- b** Add Blocking behind Wall and fasten Mounting Clips to Wall with screws and anchors (supplied by others). Clip spacing is (1) per foot on centers.



Soft Graze Mount

- a** Determine mounting location of Soft Graze Bracket such that center of Wall Clip Hole is approximately 5-5/8" from top of Grid Member Flange, as shown below.
- b** Fasten Mounting Clips to Soft Graze Bracket with screws and anchors (supplied by others).



60 ProTools Linear

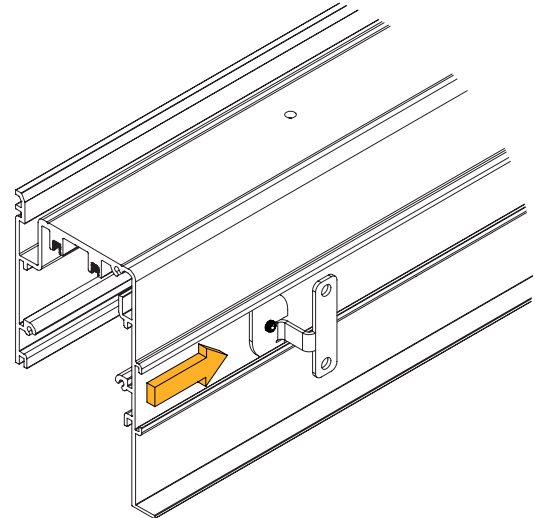
WG-60PTLP-RGT9/15
WG-60PTLPSG1-RGT9/15
WG-60PTLPSG2-RGT9/15
WG-60PTLPSG3-RGT9/15

Perimeter
Recessed Grid Trim

10/17

Step 12 - **Install Grid Mounts** - Stand Alone or Multi Unit; Grid in Place

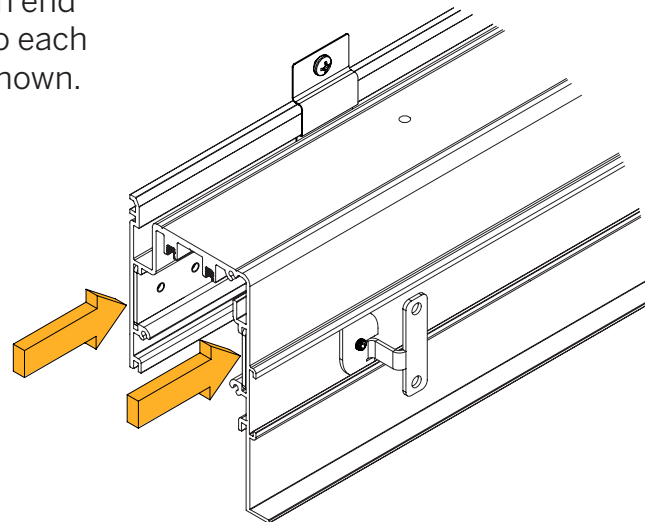
- a** Slide (1) Grid Mounts into major exterior channel from *each end* of Housing.
- b** Slide Grid Mounts at least 2½" into channel.
- c** Fasten Grid Mounts to Housing using supplied Set Screws.



Step 13 - **Install Joiners** - Multi Unit Run only; Grid in Place

With Start Unit fully mounted, slide a Joiner on end of first Middle Unit or End Unit completely into each interior channel on each side of Housing, as shown.

Do not fasten Joiners to Housing at this time.



60 ProTools Linear

WG-60PTLP-RGT9/15
WG-60PTLPSG1-RGT9/15
WG-60PTLPSG2-RGT9/15
WG-60PTLPSG3-RGT9/15

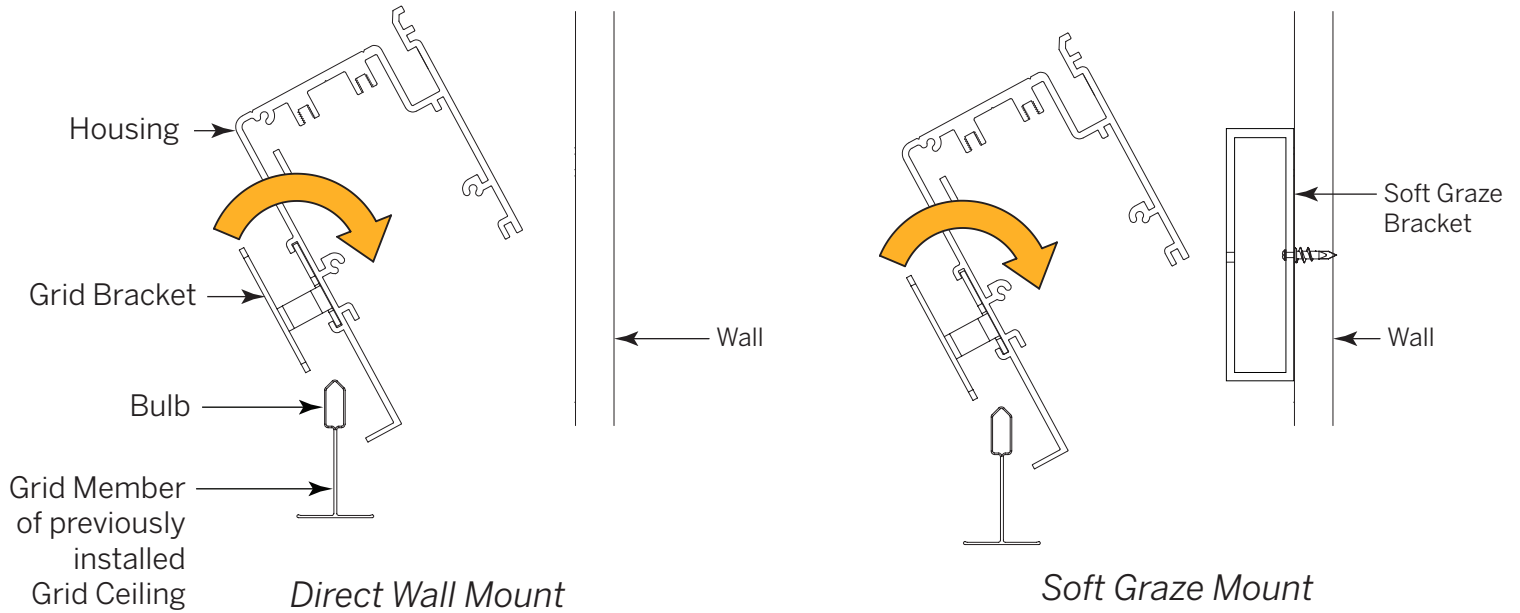
Perimeter

Recessed Grid Trim

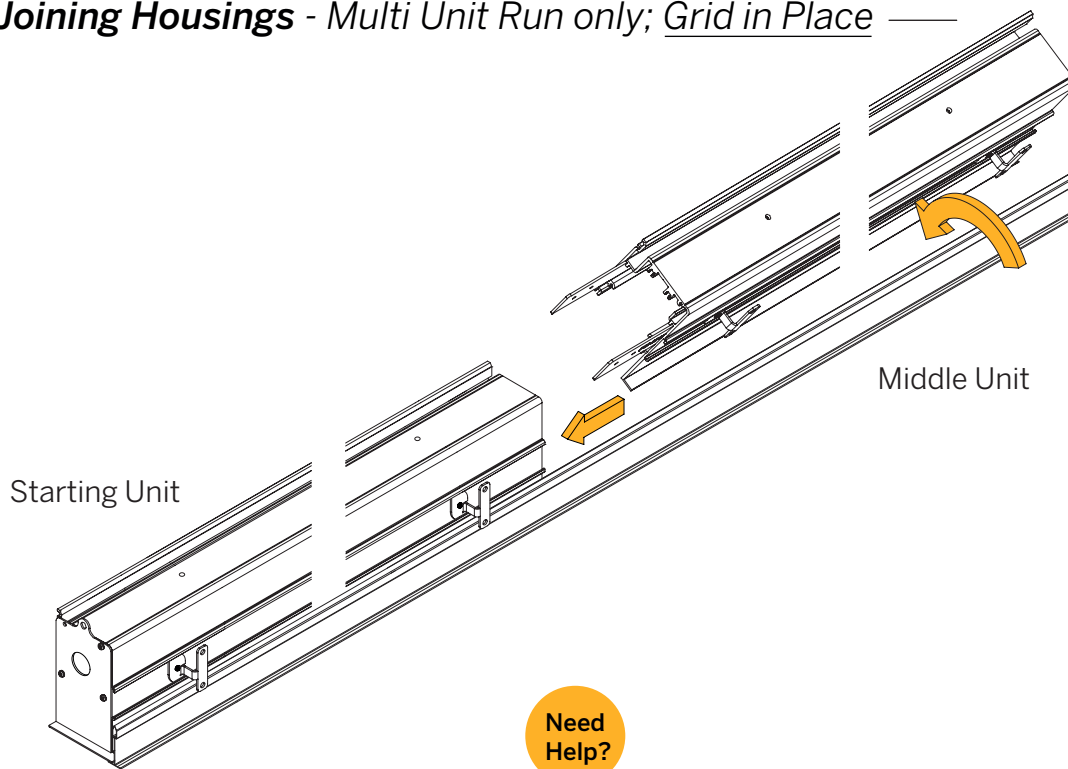
11/17

Step 14 - **Install Housing** - Grid in Place

Lower **Stand Alone** Housing or **Starting** Housing Unit in Multi Unit Run onto Grid Member such that Bezel Trim rests on Grid Member Flange and Grid Mount hooks over Bulb. Back of Housing should rest on Wall or Soft Graze Bracket. **Do not** fasten Grid Mount to Grid Member at this time.



Step 15 - **Joining Housings** - Multi Unit Run only; Grid in Place



60 ProTools Linear

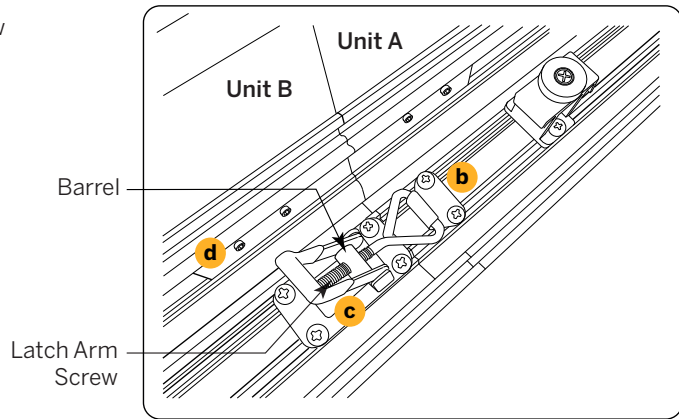
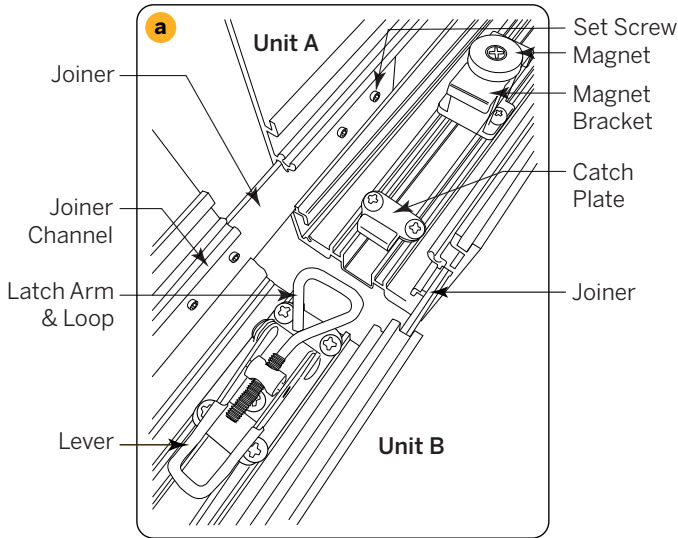
WG-60PTLP-RGT9/15
WG-60PTLPSG1-RGT9/15
WG-60PTLPSG2-RGT9/15
WG-60PTLPSG3-RGT9/15

Perimeter

Recessed Grid Trim

12/17

Step 15 - *Joining Housings* (continued)

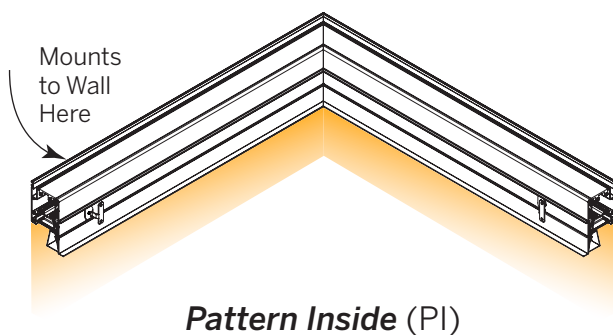


- a** Insert Joiners of Unit A (Middle or End Unit) into Joiner Channels of Unit B (adjacent unit).
- b** Draw units completely together. Hook Latch Arm & Loop over Catch Plate. Adjust length of Latch Arm by rotating Latch Arm Screw through Barrel.

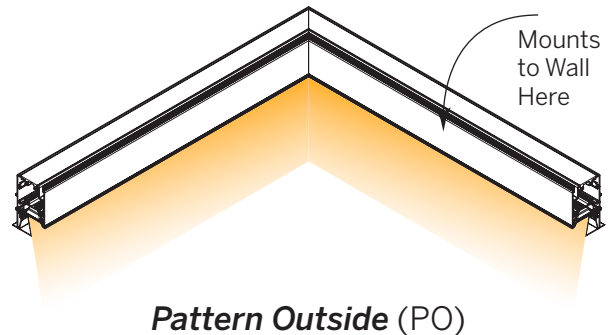
- c** Press Lever fully down to lock.
- d** Center each Joiner on Housing Joint.
- e** Tighten all Set Screws on both Joiners. **Do not** overtighten. Overtightening risks deforming Housing surface.
- f** Repeat **Steps 15 - 17** for each Middle Unit and/or End Unit.

Step 16 - *Corners* - Multi Unit Run only; Grid in Place

Pattern Inside (PI) and Pattern Outside (PO) Corners are welded at the factory. Follow **Steps 14 - 16** to mount to existing Run. Corners use same Latch Arm and Catch Plate joining system as on straight units. Illustration of light output shows direction, and is not indicative of color, intensity, or actual spread.



Pattern Inside (PI)



Pattern Outside (PO)

Need Help?

NOTE: Grid Clips not seen in this view.

60 ProTools Linear

WG-60PTLP-RGT9/15
WG-60PTLPSG1-RGT9/15
WG-60PTLPSG2-RGT9/15
WG-60PTLPSG3-RGT9/15

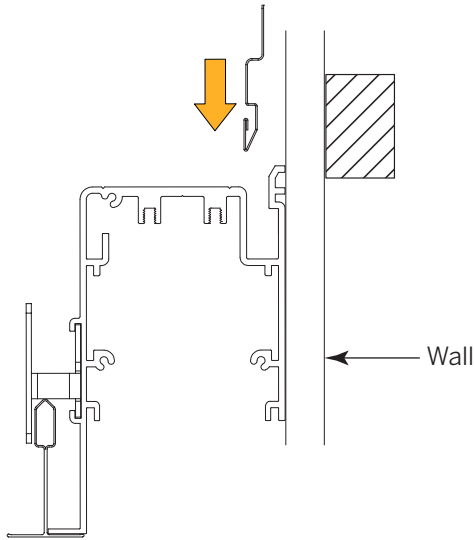
Perimeter

Recessed Grid Trim

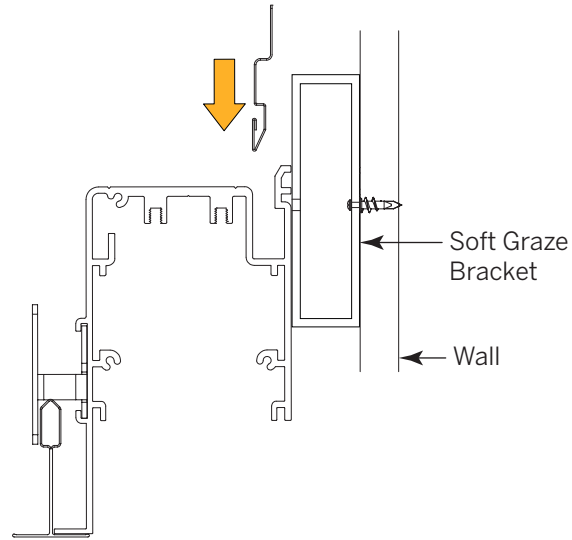
13/17

Step 17 - *Install Wall Clips - Grid in Place*

- a** Square Housing against Wall or Wall Graze Bracket. Lower Wall Clip into Recess as shown. Place rectilinear bend of Clip over Tongue at rear of Housing.

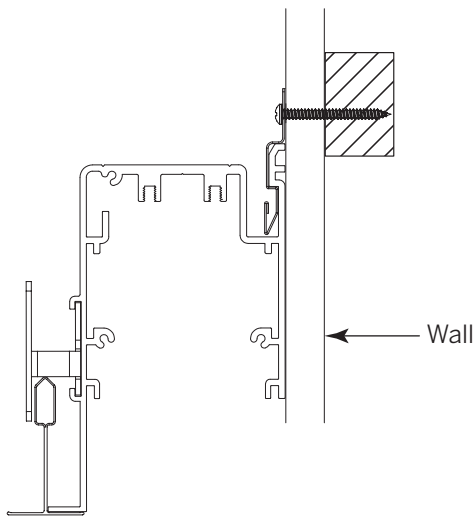


Direct Wall Mount

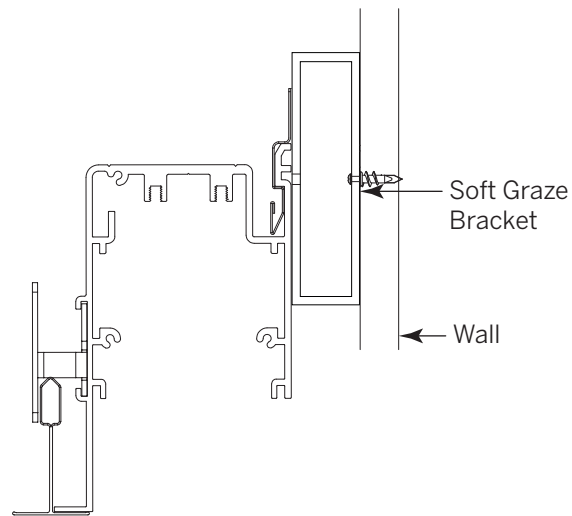


Soft Graze Mount

- b** Mark for screw/anchor (by others). Blocking recommended to support weight of fixture. Locate clips no less than 3" from each end of fixture. Soft Graze Bracket pre-drilled and tapped for screw.



Direct Wall Mount



Soft Graze Mount



60 ProTools Linear

WG-60PTLP-RGT9/15
WG-60PTLPSG1-RGT9/15
WG-60PTLPSG2-RGT9/15
WG-60PTLPSG3-RGT9/15

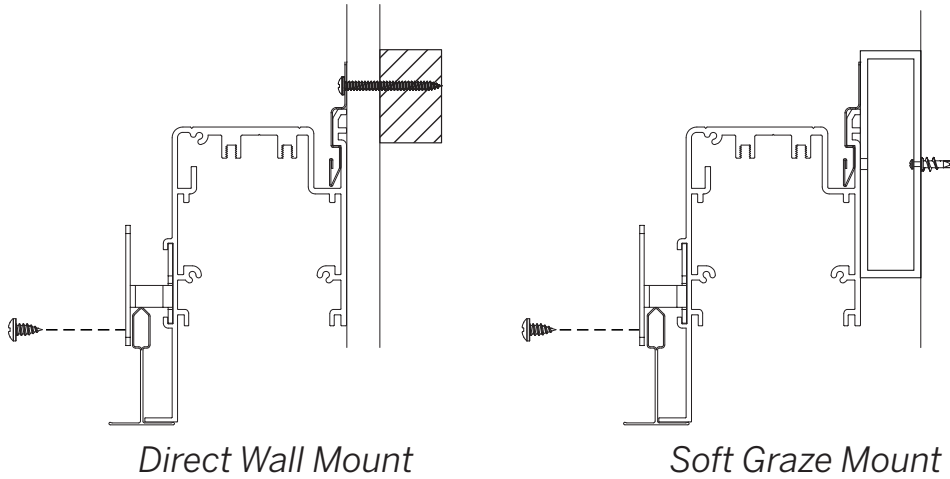
Perimeter

Recessed Grid Trim

14/17

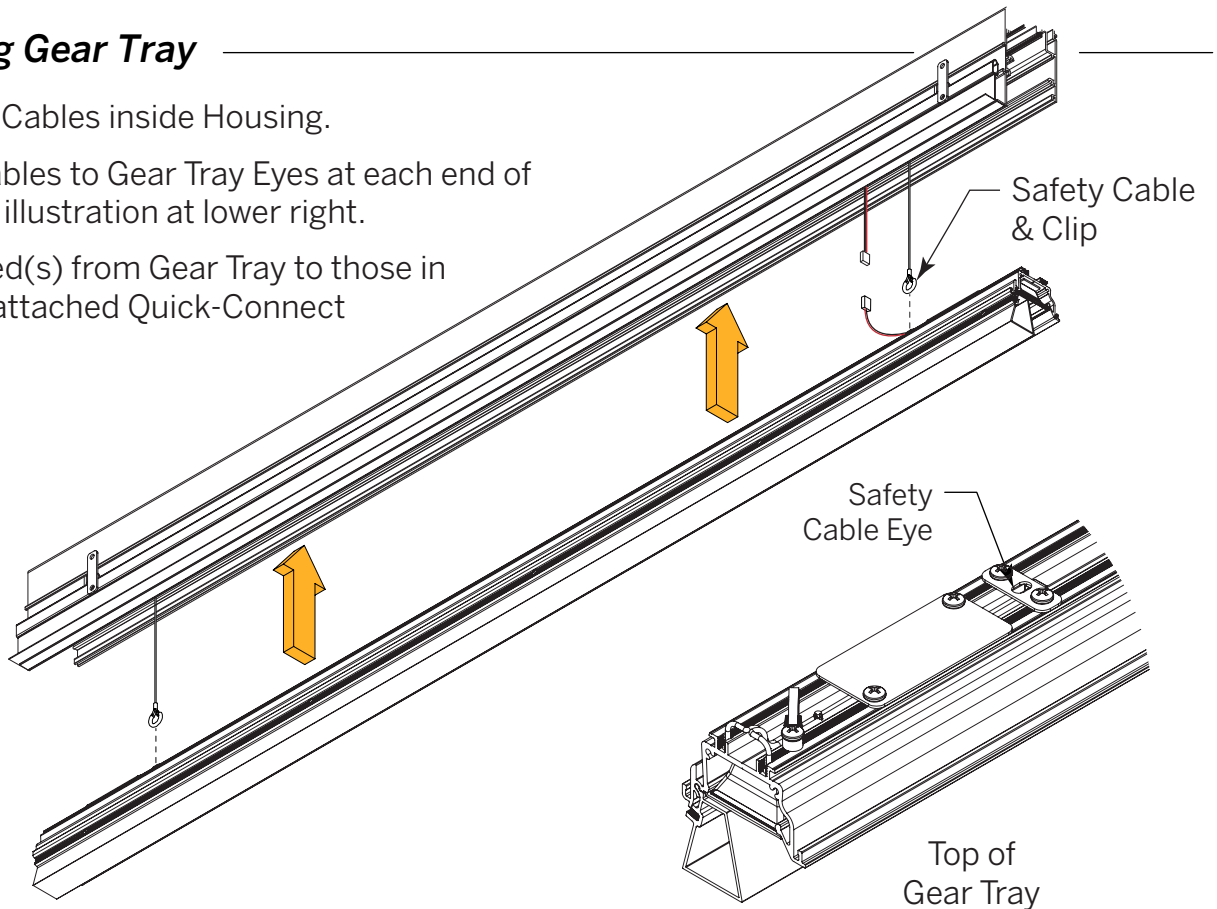
Step 18 - **Fasten Housings to Grid** - Grid in Place

Fasten Grid Mounts to Grid Members using appropriately-sized screws (by others).



Step 19 - **Hang Gear Tray**

- a** Locate Safety Cables inside Housing.
- b** Clip Safety Cables to Gear Tray Eyes at each end of Housing. See illustration at lower right.
- c** Clip Power Feed(s) from Gear Tray to those in Housing with attached Quick-Connect terminals.



NOTE: The number of Drivers depends on length of Fixture and Power Levels specified. As such, there may be more than one Driver

Need Help?

and Luminaire Power Feed. Similarly, controllers will add a second pair of feeds to each Driver.

60 ProTools Linear

WG-60PTLP-RGT9/15
WG-60PTLPSG1-RGT9/15
WG-60PTLPSG2-RGT9/15
WG-60PTLPSG3-RGT9/15

Perimeter

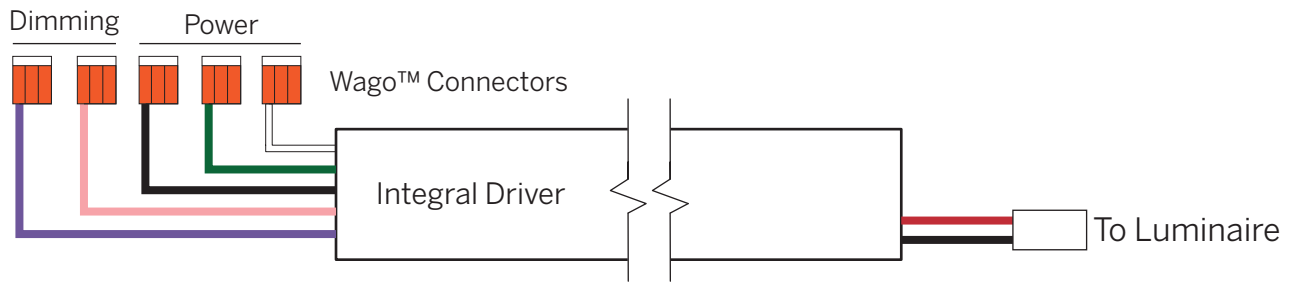
Recessed Grid Trim

15/17

Step 20 - Wiring

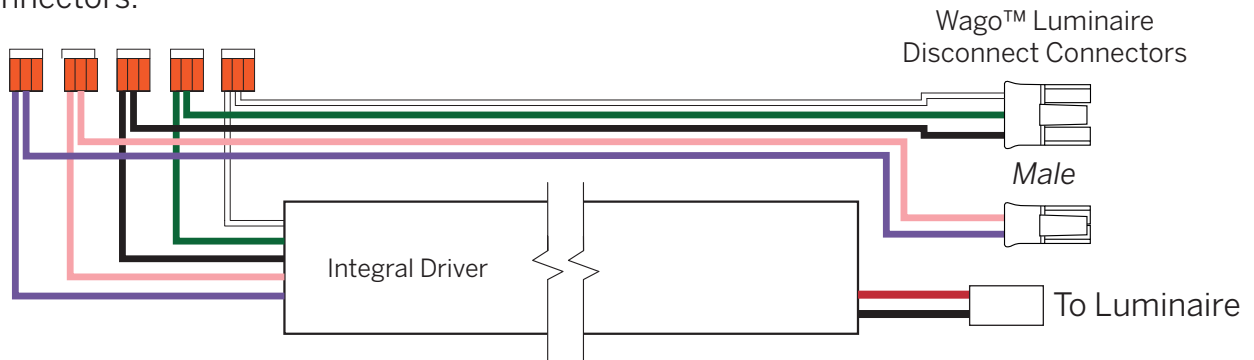
Stand Alone Unit

Five wires extend from Gear Tray and terminate with Wago™ Connectors. Connect these wires to incoming Power Feed.



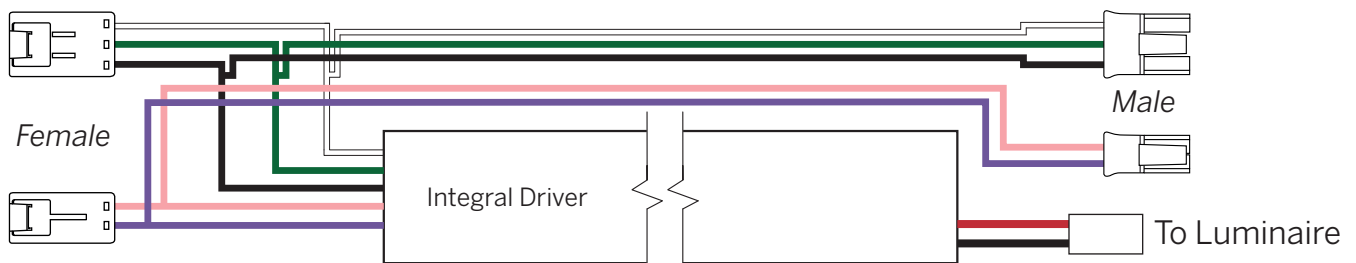
Multi Unit Run - Start Unit

Five wires extend from Gear Tray and terminate with Wago™ Connectors. Connect these wires to the Power Feed. To connect to the next unit in Run, uses the pair of Male Wago™ Luminaire Disconnect Connectors.



Multi Unit Run - Middle Unit

There are no wires that connect to the Power Feed (except if Middle Unit contains two Drivers). To connect to the previous and the next units in Run, use the Female and Male pairs of Wago™ Luminaire Disconnect Connectors on each side of the unit.



Need Help?

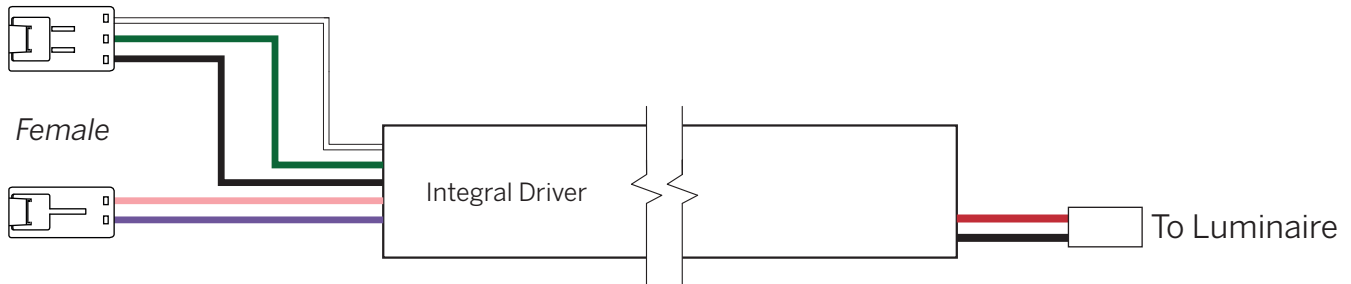
60 ProTools Linear

WG-60PTLP-RGT9/15
WG-60PTLPSG1-RGT9/15
WG-60PTLPSG2-RGT9/15
WG-60PTLPSG3-RGT9/15

Step 20 - **Wiring** (continued)

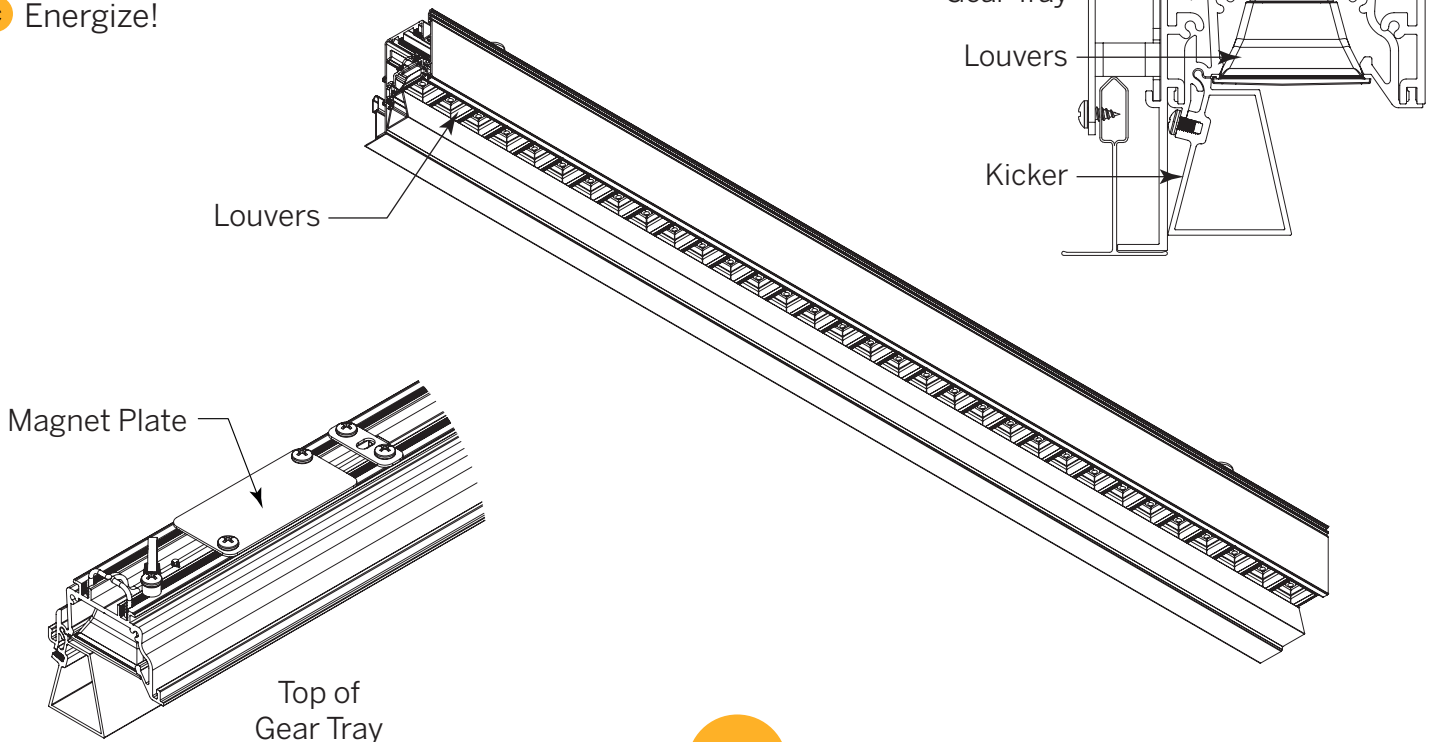
Multi Unit Run - End Unit

The End Unit terminates with one pair of Female Wago™ Luminaire Disconnect Connectors.



Step 21 - **Place Gear Tray in Housing**

- a** Attached to Safety Cables, lift and insert Gear Tray into Housing.
- b** Magnet Plates on top of Gear Tray will engage Magnets on Brackets inside of Housing.
- c** Energize!



60 ProTools Linear

WG-60PTLP-RGT9/15
WG-60PTLPSG1-RGT9/15
WG-60PTLPSG2-RGT9/15
WG-60PTLPSG3-RGT9/15

Perimeter

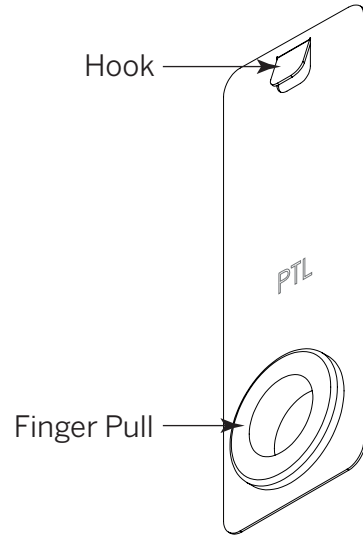
Recessed Grid Trim

17/17

Step 22 - Removing Gear Tray

Should there be a need to remove the Gear Tray, a Gear Tray Removal Tool is provided with every order. The following applies to multiple Gear Trays in a single housing and to a series of Gear Trays in a Multi Unit Run.

- a** Carefully insert Removal Tool in between adjacent Gear Trays. Take care not to scratch nearby surfaces.
- b** Push Tool up into Housing Cavity. The Hook will catch the top Central Channel of the Gear Tray. Pull downward while holding other hand beneath. This will dislodge Gear Tray from Magnet.



Gear Removal Tool

