

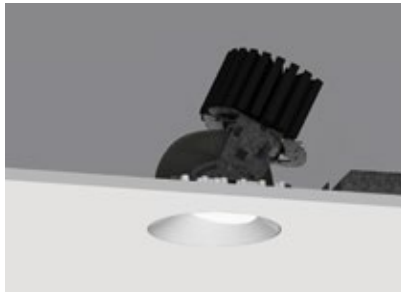
4" ProTools Adjustable Round Recessed



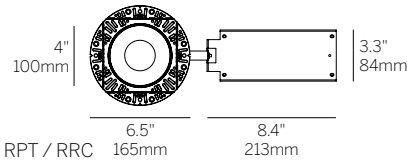
RPT / RRC / MPL



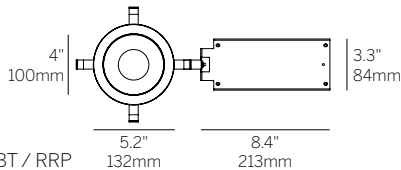
RBT / RRP / RSC



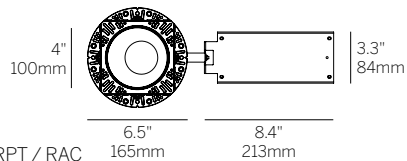
RPT / RAC / MPL



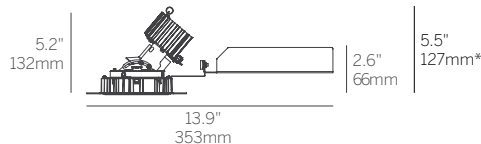
RPT / RRC



RBT / RRP



RPT / RAC



*Minimum of 5.5" (127mm) ceiling void is required to install the integral driver from below the ceiling.
Cut Out: Ø 4.75" / 121mm

Ordering Information

Model	Fixation	Power ¹	CRI	CCT ²	Driver ³	Cover	Lens	Beam	Trim Finish	Cover Finish	Housing ⁴	Options
WG-100RPTDLX	RPT RBT	L M H XH TW WD	92 98	27 30 35 40 TW WD	S010 D010 SPH PEQ0 D2S D2T	RRC RRP RAC	OA MPL RSC	16 32 41 8 18-36	W B S F	W B S F	LP NC IC CP X	WL SOL LSL HL TC MLC AS ASL EM

Luminaire

- Part of a complete family of 4" aperture matching downlights.
- 4" (100mm) round aperture adjustable downlight for general and accent illumination. Available with round recessed cone, regressed pinhole or asymmetric cone with 0.5" regressed 2" round light aperture.
- Tilt 40°, rotation 365°, 144 step.
- Efficacy up to 76 lumens per watt (delivered).
- UGR < 19 for some configurations to comply with WELL requirements.
- Cree 2-step McAdam LEDs.
- CRI >92+ standard, 98+ optional.
- L70 (TM21 Projected 85C) Static White 55,400 hours, TW + WD 55,000 hours, 8° (Narrow) = 109,000 hours.
- ETL and ETL-C for dry and damp location standard, Wet location optional.
- Luminaire and driver installed and maintained from below the ceiling. Maximum ceiling thickness 1".
- Housings available (see housings page).
- Multiple luminaire configurations for plaster trim (see detail page).
- 5-year warranty.

Fixation

- RPT = Recessed Plaster Trim
- RBT = Recessed Bezel Trim

Power¹

- L = Low Power, 5.7W @ 350mA (3.9W for 8° Narrow)
- M = Mid Power, 8.4W @ 500mA (5.8W for 8° Narrow)
- H = High Power, 12W @ 700mA (8.3W for 8° Narrow)
- XH = Extra High Power, 18.6W @ 1050mA (13.1W for 8° Narrow)
- TW = 9W @ 500mA
- WD = 0.4 - 11.8W @ 350mA

CRI

- 92 = 92 CRI (Static White, TW only)
- 98 = 98 CRI (Static White)
- 95 = 95 CRI (WD only)

CCT²

- 27 = 2700K
- 30 = 3000K
- 35 = 3500K
- 40 = 4000K
- TW = Tunable White 1800 - 4000K
- WD = Warm Dimming 1800 - 3000K

¹ Wattage shown does not include power supplies/drivers.

² See photometric data sheet for delivered lumens.

³ See driver information for details.

⁴ See housings pages for details.

Driver³

- S010 = eldoLED 0-10V 1% dimming, 120-277V (30W)
- D010 = eldoLED 0-10V 0.1% dimming, 120-277V (30W)
- SPH = Phase (2-wire) 3% dimming, 120V only (20W) [n/a for XH power]
- PEQ0 = Lutron Hi-Lume Premier 0.1% EcoSystem dimming, 120-277V (20W)
- D2S = DALI-2 for Static White 0.1% dimming, 120-277V (30W)
- D2T = DALI-2 (DT8) for Tunable White 0.1% dimming, 120-277V (30W)

Cover

- RRC = Round Recessed Cone
- RRP = Round Regressed Pinhole
- RAC = Round Asymmetric Cone

Lens

- OA = Open Aperture
- MPL = Micro-prismatic Lens
- RSC = Recessed Satin Clear Lens

Beam

- 16 = 16° Beam Angle
- 32 = 32° Beam Angle
- 41 = 41° Beam Angle
- 8 = 8° Beam Angle (Narrow) (TIR Optic) (N/A for TW / WD)
- 18-36 = 18-36° Beam Angle (Zoom) (TIR Optic) (OA only) (N/A for TW / WD)

Trim / Cover Finish

- W = White, 15% gloss, RAL 9003 (standard)
- B = Black, 15% gloss, RAL 9005
- S = Silver, 15% gloss, RAL 9006
- F = Custom finish, specify RAL code

Housing (optional)⁴

- LP = Landing Pan
- NC = New Construction Housing
- IC = Insulated Ceiling Housing
- CP = Chicago Plenum Housing
- X = No Housing

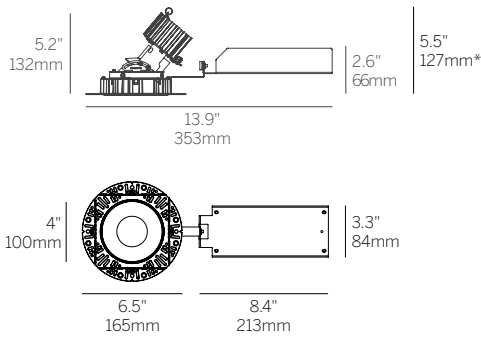
Options

- WL = Wet Location (RRC only)
- SOL = Solite Lens
- LSL = Linear Spread Lens
- HL = Honeycomb Louver
- TC = Thick Ceiling Clip (see detail page)
- MLC = Multiple luminaire configurations (see detail page)
- AS = Aim stick
- ASL = Aim Stick w/ Laser
- EM = Emergency (remote only)

4" ProTools Adjustable Round Recessed

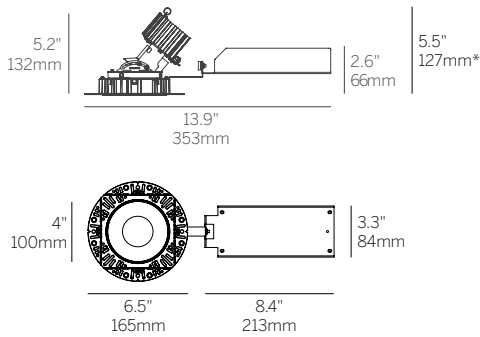
Round Recessed Cone (RRC)

Recessed Plaster Trim (RPT)



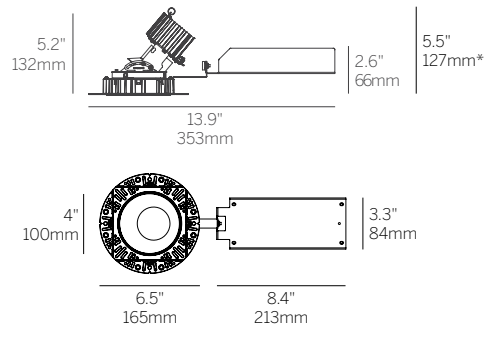
Round Regressed Pinhole (RRP)

Recessed Plaster Trim (RPT)

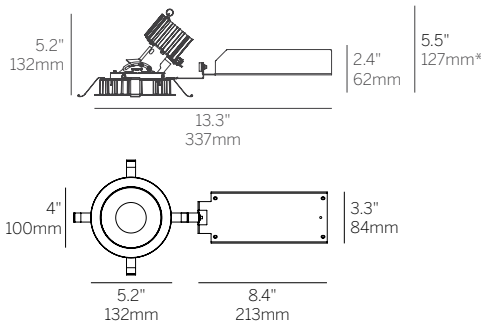


Round Asymmetric Cone (RAC)

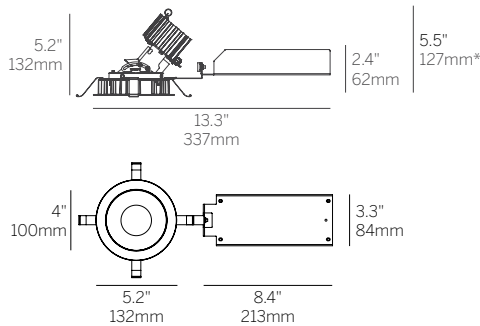
Recessed Plaster Trim (RPT)



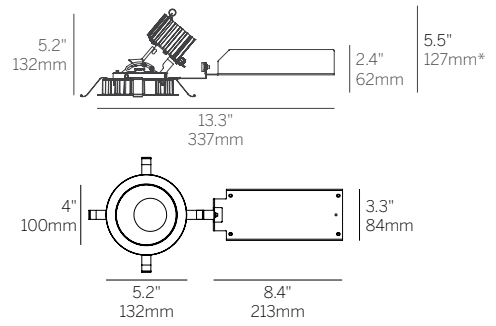
Recessed Bezel Trim (RBT)



Recessed Bezel Trim (RBT)



Recessed Bezel Trim (RBT)



*Minimum of 5.5" (127mm) ceiling void is required to install the integral driver from below the ceiling.

Cut Out: Ø 4.75" / 121mm