

Coves + Perimeter - Remote Drivers

driver information

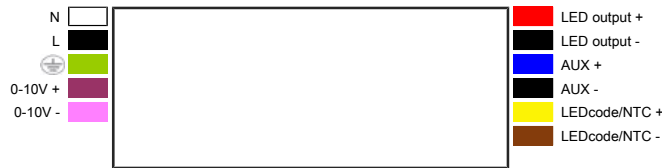
Please refer to driver manufacturer's website for current data sheets and wiring guidelines.

Linear Feet Per Driver						
DRIVER	WATTAGE	POWER [W / ft]				
		P0 [1.5]	P1 [3.0]	P2 [6.0]	P3 [10.0]	P4 [15.0]
E1	30W	5	5	4	2	1
E1	50W	5	5	5	4	3
E1 ¹	75W	5 (10)	5 (10)	5 (10)	5 (6)	4
LI ²	75W	4	2 - 4	2 - 4	3 - 4	2 - 4
D2DT6 ³	75W	5	5	5	5	4
D2DT8 ³	75W	5	5	5	5	4

1 - Fixture quantity noted in parentheses () are achievable if, and only if, both driver outputs are used.
 2 - L1 Lutron driver output ranges from 5W up to 75W. Fixture quantity range shown is the result of allowable wattage and current limitations for specific LED / Power.
 3 - DALI assumes both channels on a TW Tunable White LED board are utilized.

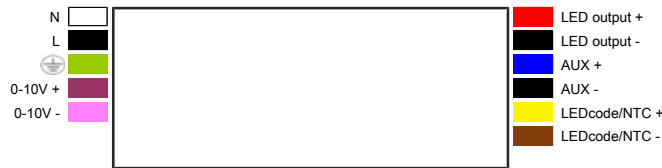
E1 = eldoLED 0.1% dimming, 0-10V (120-277V)

30W Wiring Diagram: [spec sheet](#)

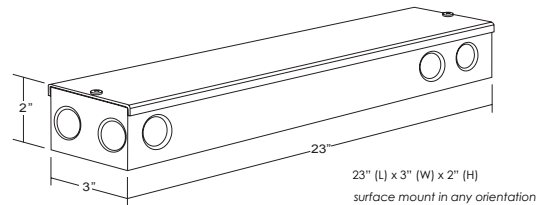


Wire gauge	Maximum wiring distance
20 AWG (0.52 mm ²)	46 ft (14 m)
18 AWG (0.82 mm ²)	72 ft (22 m)
16 AWG (1.31 mm ²)	118 ft (36 m)

50W Wiring Diagram: [spec sheet](#)



Dry Location Enclosure



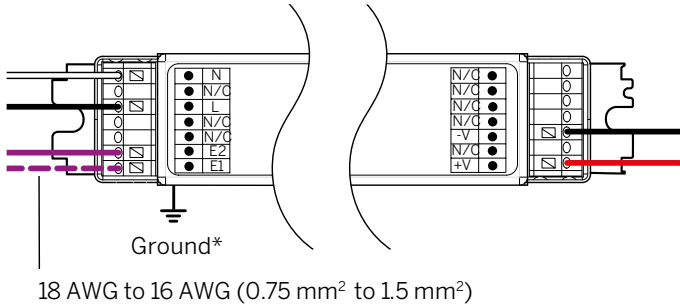
75W Wiring Diagram: [spec sheet](#)



Coves + Perimeter - Remote Drivers

driver information

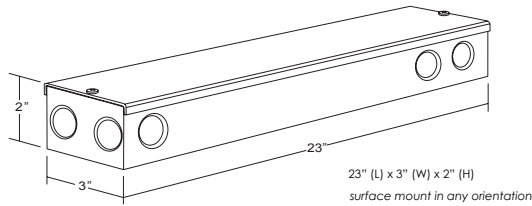
L1 = Lutron 1% dimming, Ecosystem (120-277V) [spec sheet](#)



WIRE GAUGE	Maximum wiring distance	
	150 mA to 700 mA	710 mA to 1.50 A
18 AWG (0.75 MM ²)	30 ft (9 m)	15 ft (4.5 m)
16 AWG (1.5 MM ²)	59 ft (18 m)	25 ft (7.5 m)
14 AWG (2.5 MM ²)*	50 ft (15 m)	40 ft (12 m)
12 AWG (4.0 MM ²)*	100 ft (30 m)	60 ft (18 m)

* Terminal blocks on the drivers accept only solid 20 AWG to 16 AWG (0.5 mm² to 1.5 mm²) wire. To use wire gauges larger than the terminal blocks' rated gauge of 16 AWG (1.5 mm²), connect up to 3 ft (1.0 m) of 20 AWG to 16 AWG (0.5 mm² to 1.5 mm²) wire to the LED driver terminal blocks, then connect 12 AWG or 14 AWG (4.0 or 2.5 mm²) up to the length allowed in the above table.

Dry Location Enclosure



Coves + Perimeter - Remote Drivers

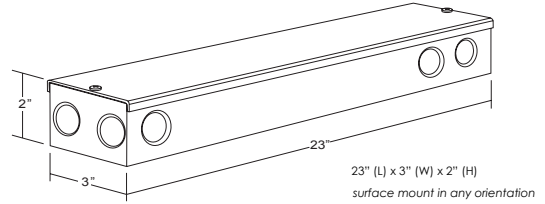
driver information

D2DT6 = eldoLED DALI-2 DT6 0.1% (120-277V) [for Static White LEDs] [spec sheet](#)

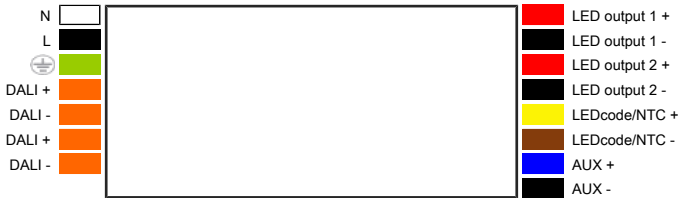


Wire gauge	Maximum wiring distance
20 AWG (0.52 mm ²)	46 ft (14 m)
18 AWG (0.82 mm ²)	72 ft (22 m)
16 AWG (1.31 mm ²)	118 ft (36 m)

Dry Location Enclosure

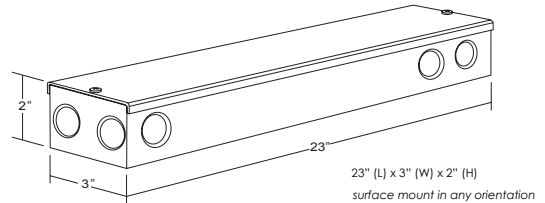


D2DT6 = eldoLED DALI-2 DT6 0.1% (120-277V) [for Tunable White LEDs] [spec sheet](#)

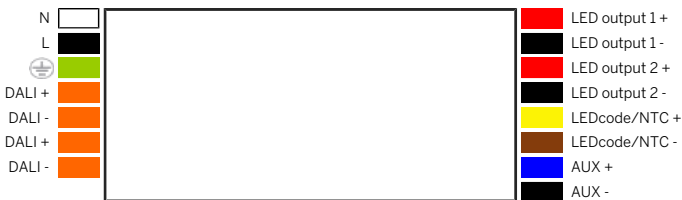


Wire gauge	Maximum wiring distance
20 AWG (0.52 mm ²)	46 ft (14 m)
18 AWG (0.82 mm ²)	72 ft (22 m)
16 AWG (1.31 mm ²)	118 ft (36 m)

Dry Location Enclosure

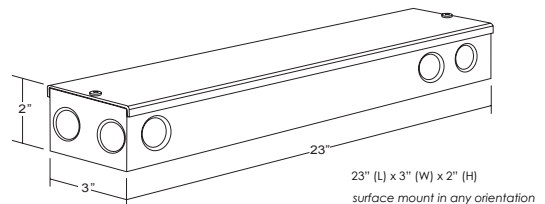


D2DT8 = eldoLED DALI-2 D2DT8 0.1% (120-277V) [for TW Tunable White] [spec sheet](#)



Wire gauge	Maximum wiring distance
20 AWG (0.52 mm ²)	46 ft (14 m)
18 AWG (0.82 mm ²)	72 ft (22 m)
16 AWG (1.31 mm ²)	118 ft (36 m)

Dry Location Enclosure



Coves + Perimeter - Remote Drivers

driver information

Please refer to driver manufacturer's website for current data sheets and wiring guidelines.

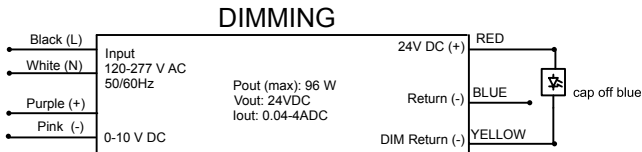
LINEAR FEET PER DRIVER - CONSTANT VOLTAGE					
Driver	Wattage	Power [W / Ft]			
		L [3.0]	M [6.0]	H [10.0]	RGBW [8.0]
DO10	96W	24'-0"	12'-0"	6'-0"	-
DPH	96W	24'-0"	12'-0"	6'-0"	-
L3DAE	40W	12'-0"	6'-0"	4'-0"	-
L3DOE	96W	24'-0"	12'-0"	6'-0"	-
EL96	96W	24'-0"	12'-0"	6'-0"	-
DALI	96W	24'-0"	12'-0"	6'-0"	-
DMX	96W	24'-0"	12'-0"	6'-0"	8'-0"

Linear Feet per Driver assumes 80% of full load.

DO10 = eldoLED, 10% 0-10V dimming, 120-277V [spec sheet](#)

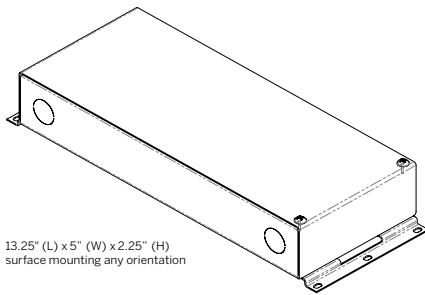
Compatible/Recommended dimmers and interfaces:

- Lutron Diva DVSTV (Wallbox dimmer)
- Lutron Nova T NTSTV (Wallbox dimmer)
- Lutron Maestro MS-Z101/MS-Z101-V (Wallbox dimmer/sensor)
- Lutron PowPak 0-10V RMJ-5T-DV-B (Energi Tripak)
- Lutron GRX-TVI (0-10V interface for Grafik QS and some commercial dimming panels)
- Lutron TVI-LMF-2A (EcoSystem to 0-10V interface)
- Lutron QSN-4T16-S (Energi Savr Node 0-10V)
- Lutron TVM2 module (HomeWorks and commercial dimming panels)



Warning: if not connected to a 0-10V dimmer, driver **MUST** be wired as Non-dim. Not doing so can cause the driver and the fixtures to fail prematurely.

Dry Location Enclosure

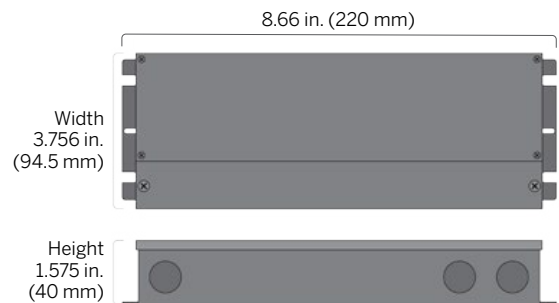
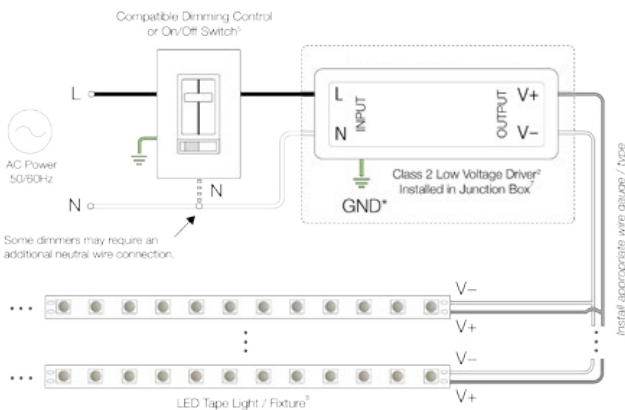


Maximum wiring distance*				
		Load per driver		
		≤48W	≤72W	≤96W
Wire gauge	#18AWG	37 ft (11.3 m)	25 ft (7.6 m)	18 ft (5.5 m)
	#16AWG	59 ft (18 m)	39 ft (11.9 m)	29 ft (8.8 m)
	#14AWG	95 ft (29 m)	63 ft (19.2 m)	47 ft (14.3 m)
	#12AWG	151 ft (46 m)	101 ft (30.8 m)	75 ft (22.9 m)
	#10AWG	241 ft (73.5 m)	160 ft (48.8 m)	120 ft (36.6 m)

* Voltage drop guide for 24VDC. Actual Voltage drop to be calculated by installer.

DPH = Phase Dimming, 1% dimming, 120V only [spec sheet](#)

Dry Location Enclosure



Compatible/Recommended dimmers and interfaces*:

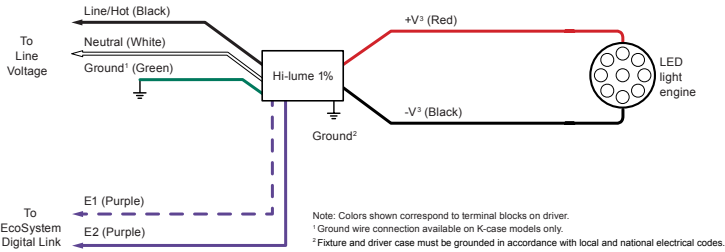
- LUTRON: Ariadni - AYLV-600P
- LUTRON: Homeworks QS - HQRD 6ND
- LUTRON: Radio RA2 - RRD-10ND
- LUTRON: Ariadni - AYCL-153P
- LUTRON: Maestro - MACL-153M
- LUTRON: Radio RA2 - RRD 6CL WH
- LUTRON: Caseta - PD-6WCL
- LUTRON: Maestro - MAELV-600
- LUTRON: Verti - VT-1000MN
- LUTRON: Caseta - PD-5NE
- LUTRON: Maestro - MRF2-6ND-120
- LEVITON: Decora - DSE06-10Z
- LUTRON: Caseta - PD-10NXD
- LUTRON: Maestro - MA-PRO
- LEVITON: Illumitech - IP10-LFZ
- LUTRON: Caseta - DVRF-6
- LUTRON: Nova T* CL - NTCL 250
- LEVITON: Decora Smart - DW6HD-1BZ
- LUTRON: Diva - DVELV-300P
- LUTRON: Nova T - NTLV-603P
- LEGRAND: Paddle - ADPD453LW2
- LUTRON: Diva - DVCL-153-P
- LUTRON: Nova T - NTFTV
- MISC.: Forbes & Lomax MLV - FLRLV603P
- LUTRON: Diva - DV600P
- LUTRON: Nova - NFTV
- MISC.: Forbes & Lomax INC/HAL - FLR603P
- LUTRON: Diva - 0-10V DVTV
- LUTRON: Homeworks - HWD 6ND WH

*Consult factory for any dimmer not listed

Coves + Perimeter - Remote Drivers

driver information

L3DAE = Lutron Hi-lume 1% EcoSystem, 120-277V [spec sheet](#)



Dry Location Enclosure

Case type KL

K-case mounted on a 4" (102 mm) W x 1.5" (38 mm) H x 4" (102 mm) L junction box to provide wiring compartment



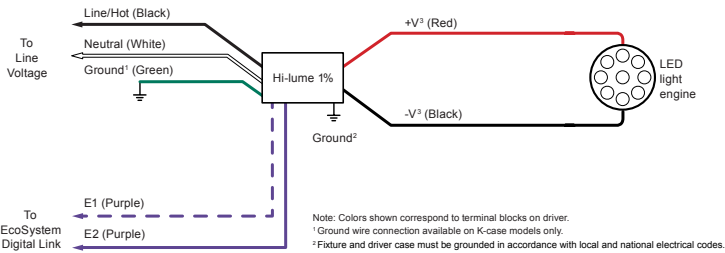
EcoSystem Controls			
Product	Model Number	Drivers per Control	Dimming
PowPak dimming module with EcoSystem	RMJ-ECO32-DV-B 3	32 per EcoSystem link	100%-1%
	FCJ-ECO, FCJS-ECO	3 per EcoSystem link ¹	100%-1%
Energi Savr Node with EcoSystem	2QSN-1ECO-S, QSN-2ECO-S	64 per EcoSystem link	100%-1%
GRAFIK Eye QS with EcoSystem	QSGRJ_E, QSGR_E	64 per EcoSystem link	100%-1%
Quantum	Various	64 per EcoSystem link	100%-1%

1 Up to 3 drivers controlled as a single zone (broadcast EcoSystem).

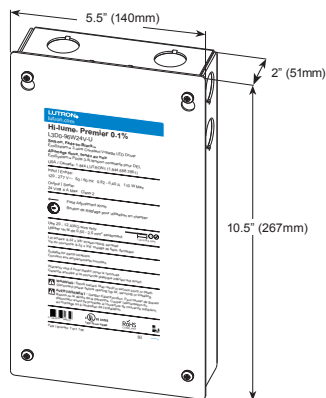
Maximum wiring distance*				
		10 V to 20 V	20.5 V to 40 V	40.5 V to 60 V
Wire gauge	24 AWG	2.5 ft (0.8 m)	4 ft (1.2 m)	8 ft (2.4 m)
	22 AWG	4 ft (1.2 m)	6 ft (1.8 m)	12 ft (3.7 m)
	20 AWG	6 ft (1.8 m)	10 ft (3 m)	20 ft (6.1 m)
	18 AWG	10 ft (3 m)	15 ft (4.6 m)	30 ft (9.1 m)
	16 AWG	15 ft (4.6 m)	25 ft (7.6 m)	50 ft (15.2 m)
	14 AWG	25 ft (7.6 m)	40 ft (12.2 m)	75 ft (22.9 m)
	12 AWG	40 ft (12.2 m)	60 ft (18.3 m)	100 ft (30.5 m)

Terminal blocks on the drivers accept only solid 18 or 16 AWG (0.75 or 1.5 mm²) wire. To use wire gauges larger or smaller than this terminal blocks' rated gauge of 18 or 16 AWG (0.75 or 1.5 mm²) refer to the Terminal Wiring Gauges diagram at the end of this document. Connect up to 3 ft (0.9 m) of 18 or 16 AWG (0.75 or 1.5 mm²) wire to the LED driver terminal blocks, then connect 14 to 12 AWG (2.5 to 4.0 mm²) or 24 AWG to 20 AWG (0.20 mm² to 0.50 mm²) up to the length allowed in the above table.

L3DOE = Lutron Hi-lume Premier 0.1% EcoSystem, 120-277V [spec sheet](#)



Dry Location Enclosure



Drivers are programmed to Linear dimming curve by default. Compatible/Recommended dimmers and interfaces:

- PowPak Dimming Module with EcoSystem
- Lutron Nova T NTSTV (Wallbox dimmer)
- Lutron Maestro MS-Z101/MS-Z101-V (Wallbox dimmer/sensor)
- Lutron PowPak 0-10V RMJ-5T-DV-B (Energi Tripak)
- Lutron GRX-TVI (0-10V interface for Grafik QS and some commercial dimming panels)
- Lutron TVI-LMF-2A (EcoSystem to 0-10V interface)
- Lutron QSN-4T16-S (Energi Savr Node 0-10V)
- Lutron TVM2 module (HomeWorks and commercial dimming panels)

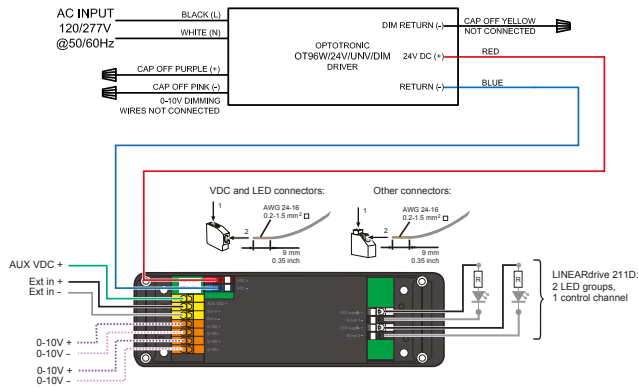
Wire gauge*	Maximum wiring distance*
24 AWG (0.20 mm ²) ³	6 ft (1.8 m)
22 AWG (0.34 mm ²) ³	10 ft (3.0 m)
20 AWG (0.50 mm ²)	15 ft (4.5 m)
18 AWG (0.75 mm ²)	25 ft (7.62 m)
16 AWG (1.0 mm ²)	40 ft (12.2 m)
14 AWG (1.5 mm ²)	60 ft (18.3 m)
12 AWG (2.5 mm ²)	100 ft (30.5 m)
10 AWG (4.0 mm ²) ³	150 ft (45.7 m)

1 To use wire gauges larger or smaller than terminal blocks' rated gauge of 20 AWG to 12 AWG (0.50 mm² to 2.50 mm²), connect 12 in (30 cm) or less of rated wire from terminal and connect with larger or smaller wire.

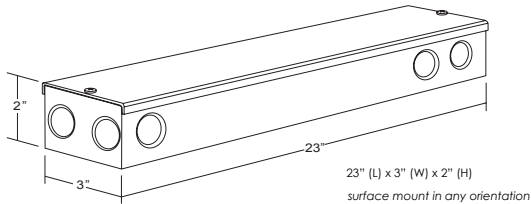
Coves + Perimeter - Remote Drivers

driver information

EL96 = eldoLED, 24V, 1% 0-10V Dimming [Driver spec sheet](#) | [0-10V interface](#)



Dry Location Enclosure



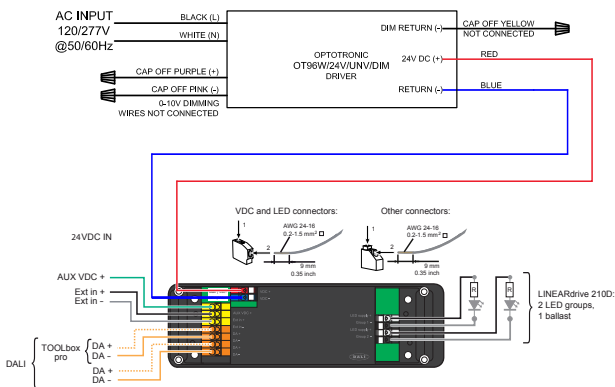
Compatible/Recommended dimmers and interfaces:

- Lutron Diva DVSTV (Wallbox dimmer)
- Lutron Nova T NTSTV (Wallbox dimmer)
- Lutron Maestro MS-Z101/MS-Z101-V (Wallbox dimmer/sensor)
- Lutron PowPak 0-10V RMJ-5T-DV-B (Energi Tripak)
- Lutron GRX-TVI (0-10V interface for Grafik QS and some commercial dimming panels)
- Lutron TVI-LMF-2A (EcoSystem to 0-10V interface)
- Lutron QSN-4T16-S (Energi Savr Node 0-10V)
- Lutron TVM2 module (HomeWorks and commercial dimming panels)

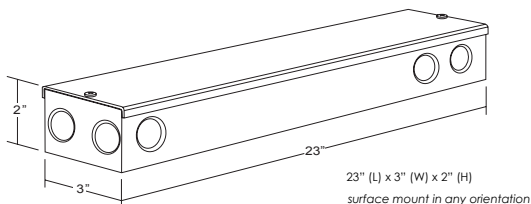
		Maximum wiring distance*		
		Load per driver		
		≤48W	≤72W	≤96W
Wire gauge	#18AWG	37 ft (11.3 m)	25 ft (7.6 m)	18 ft (5.5 m)
	#16AWG	59 ft (18 m)	39 ft (11.9 m)	29 ft (8.8 m)
	#14AWG	95 ft (29 m)	63 ft (19.2 m)	47 ft (14.3 m)
	#12AWG	151 ft (46 m)	101 ft (30.8 m)	75 ft (22.9 m)
	#10AWG	241 ft (73.5 m)	160 ft (48.8 m)	120 ft (36.6 m)

* Voltage drop guide for 24VDC. Actual Voltage drop to be calculated by installer.

DALI = eldoLED DALI-1, 0.1% dimming (120-277V) [Driver spec sheet](#) | [DALI interface](#)



Dry Location Enclosure



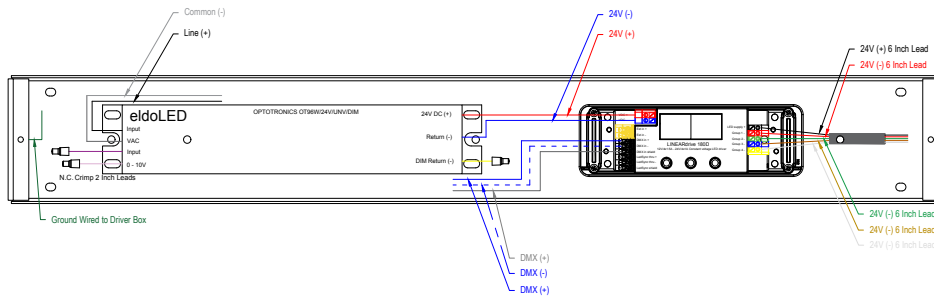
		Maximum wiring distance*		
		Load per driver		
		≤48W	≤72W	≤96W
Wire gauge	#18AWG	37 ft (11.3 m)	25 ft (7.6 m)	18 ft (5.5 m)
	#16AWG	59 ft (18 m)	39 ft (11.9 m)	29 ft (8.8 m)
	#14AWG	95 ft (29 m)	63 ft (19.2 m)	47 ft (14.3 m)
	#12AWG	151 ft (46 m)	101 ft (30.8 m)	75 ft (22.9 m)
	#10AWG	241 ft (73.5 m)	160 ft (48.8 m)	120 ft (36.6 m)

* Voltage drop guide for 24VDC. Actual Voltage drop to be calculated by installer.

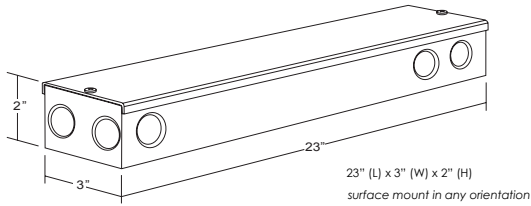
Coves + Perimeter - Remote Drivers

driver information

DMX = Osram / eldoLED, 24V, 0.1% DMX Dimming [Driver spec sheet](#) | [DMX interface](#)



Dry Location Enclosure



		Maximum wiring distance*		
		Load per driver		
		≤48W	≤72W	≤96W
Wire gauge	#18AWG	37 ft (11.3 m)	25 ft (7.6 m)	18 ft (5.5 m)
	#16AWG	59 ft (18 m)	39 ft (11.9 m)	29 ft (8.8 m)
	#14AWG	95 ft (29 m)	63 ft (19.2 m)	47 ft (14.3 m)
	#12AWG	151 ft (46 m)	101 ft (30.8 m)	75 ft (22.9 m)
	#10AWG	241 ft (73.5 m)	160 ft (48.8 m)	120 ft (36.6 m)

* Voltage drop guide for 24VDC. Actual Voltage drop to be calculated by installer.