

20 Linear Mini Z Cove

WG-20MZC

Cove

Recessed Plaster Trim

Installation Instructions

Luminaires must be installed by a qualified electrician. Check with local and national codes for proper installation.

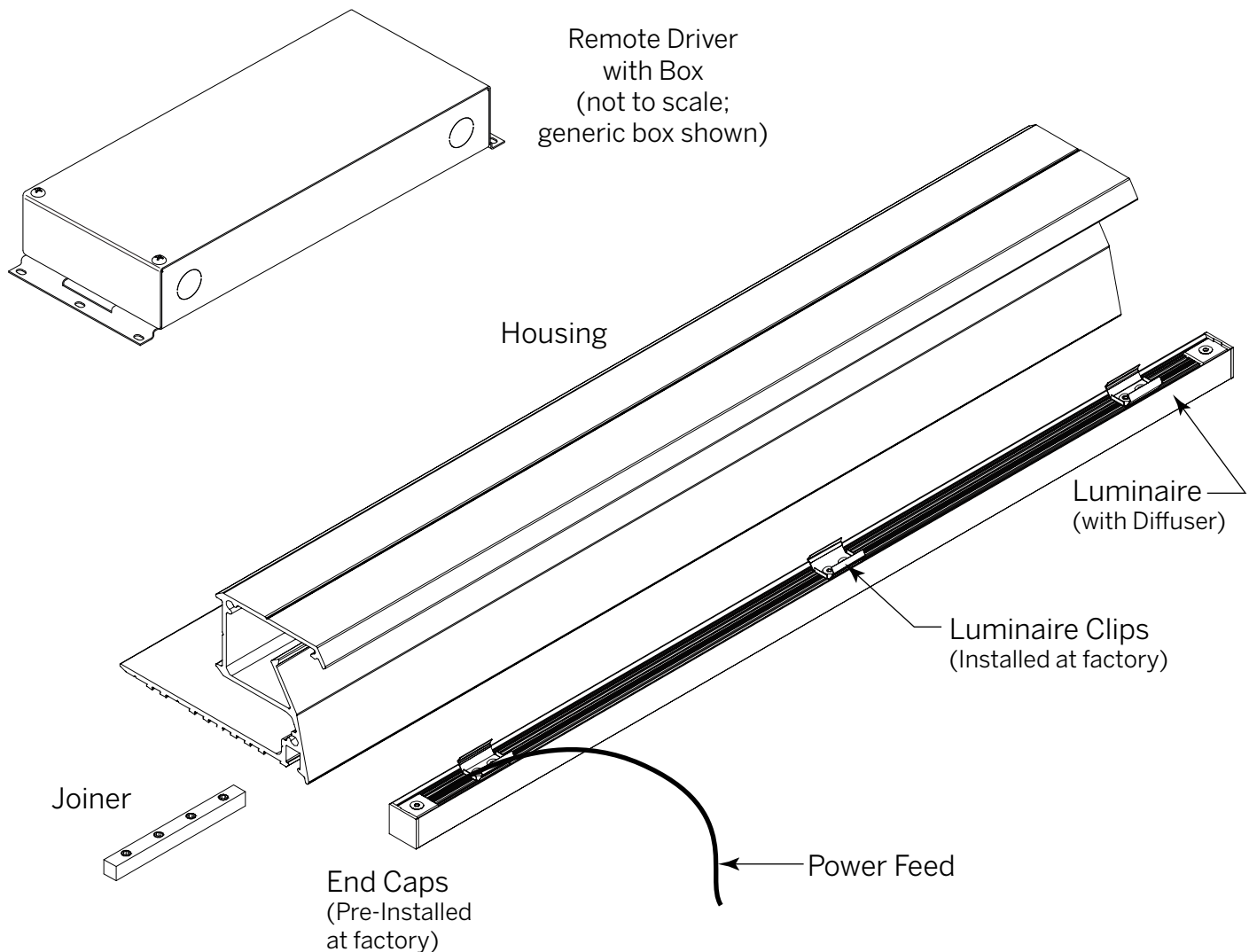


To prevent electrical shock disconnect electrical supply before installation or servicing.
Never connect a live fixture!!!

Contractor is responsible for adequately reinforcing walls and/or ceilings to support fixture weight. Provide blocking when necessary.

Step 1 - *Open the Box*

Unpack luminaire unit. Unit consists of (3) major parts: Housing, Luminaire with Diffuser, and Remote Driver with Box. Plenum-rated cable with bare leads is also provided. Remote Drivers and Boxes are supplied by Inter-lux.



Need
Help?

NOTE: All fixation hardware supplied with mounting screws

20 Linear Mini Z Cove

WG-20MZC

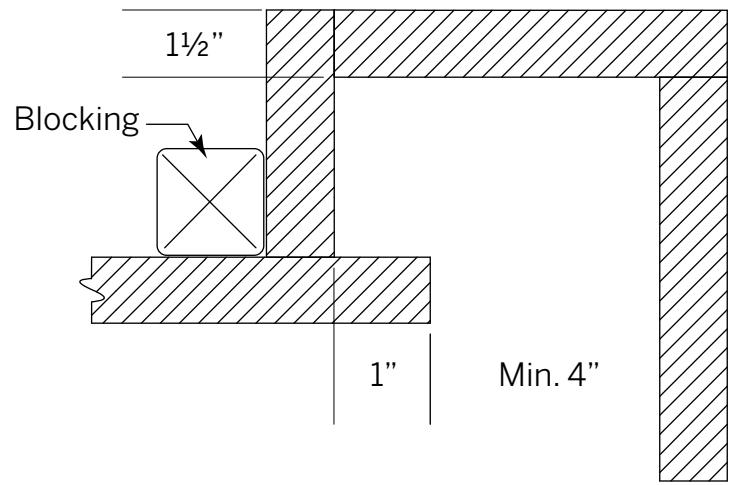
Cove

Recessed Plaster Trim

2/6

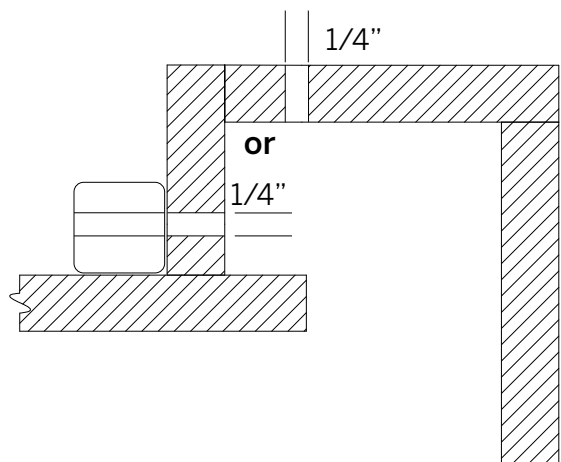
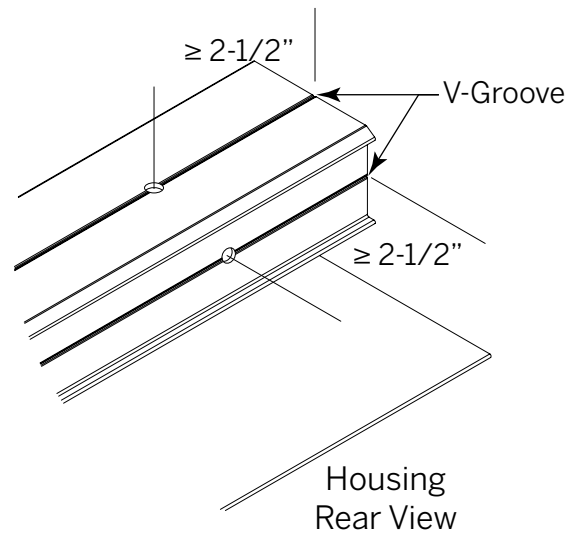
Step 2 - *Prep Ceiling*

- a** Construct a false ceiling as shown at right.
- b** Add blocking as shown



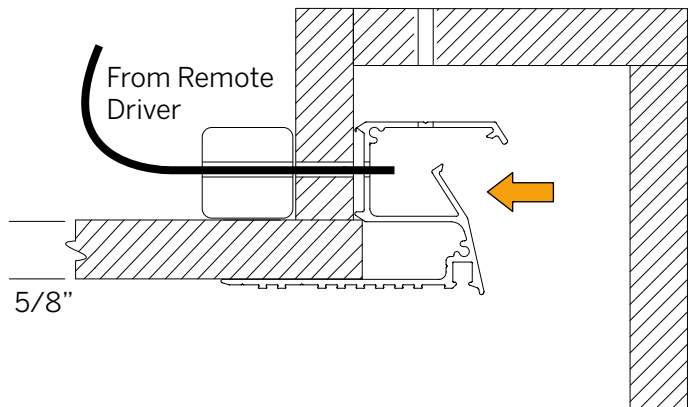
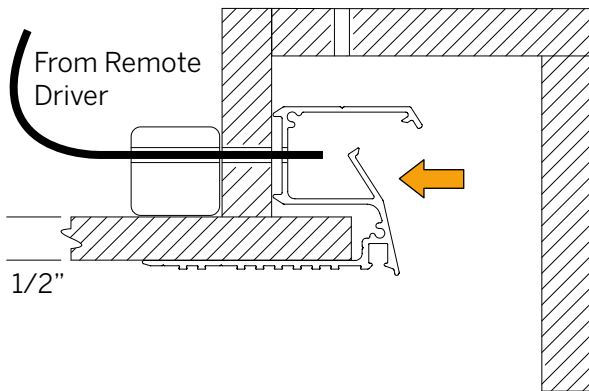
Step 3 - *Prep Housing*

- a** Drill a 1/4" hole at least 2-1/2" from the end of the Housing on the V-Groove on the top **OR** back surface for the Power Feed.
- b** Drill a 1/4" hole in the drywall false ceiling either in the top **OR** the side corresponding to and aligning with hole drilled in housing.



Step 4 - *Housing Installation*

- a** Slide Housing over protruding drywall as shown at right. Housing is designed to fit 1/2" drywall. If, however, you are installing into 5/8" drywall, see drawing below right:



- b** Pull Power Feed into Housing.

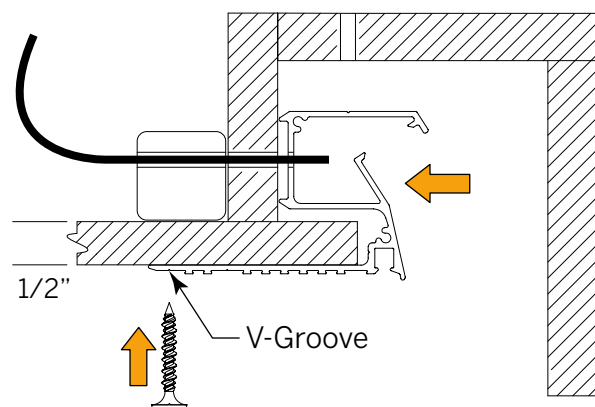
Step 5 - *Fastening to Ceiling*

Secure Housing by with screws (by others) fastened to Blocking.

Note that screw holes need to be drilled by contractor along V-Groove on bottom of profile, as noted.

Multi Unit Runs

Secure each additional Housing to Blocking after Joining Units (**Step 6**).



If installing a Stand Alone Unit, Skip to **Step 8**

20 Linear Mini Z Cove

WG-20MZC

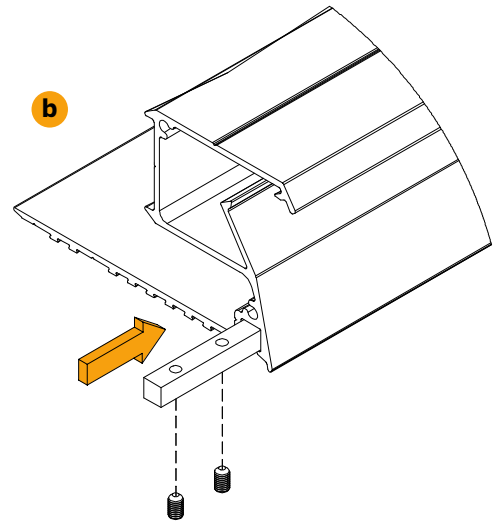
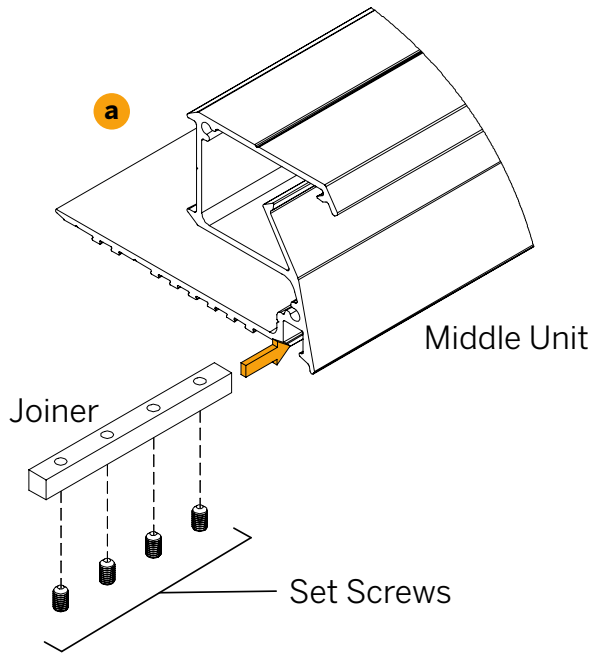
Cove

Recessed Plaster Trim

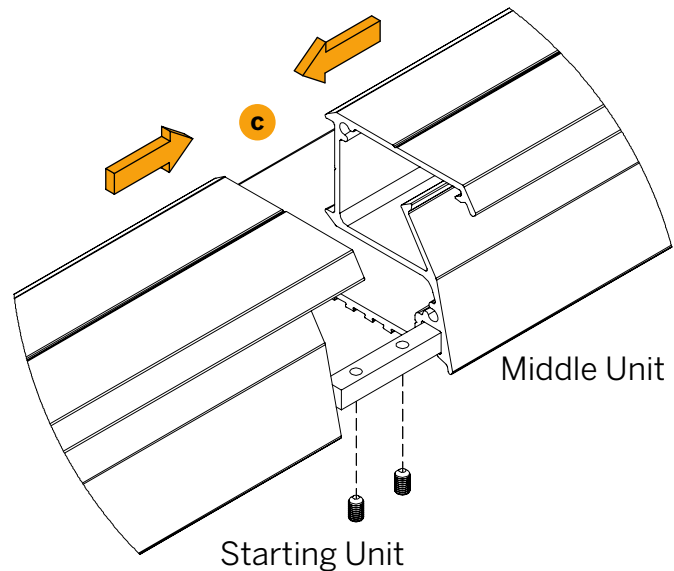
4/6

Step 6 - **Joining Units** (Multi Unit Run only)

- a** Locate Joiner. Insert Joiner into square channel at bottom front of adjacent housing of (first) Middle Unit.
- b** Insert Joiner approximately halfway and tighten supplied Set Screws.



- c** Bring Starting Unit and (first) Middle Unit together. Insert free end of Joiner into corresponding channel of Starting Unit. Tighten Set Screws secure to Starting Unit.



- d** Repeat steps a to c for however many Middle Units.



20 Linear Mini Z Cove

WG-20MZC

Cove

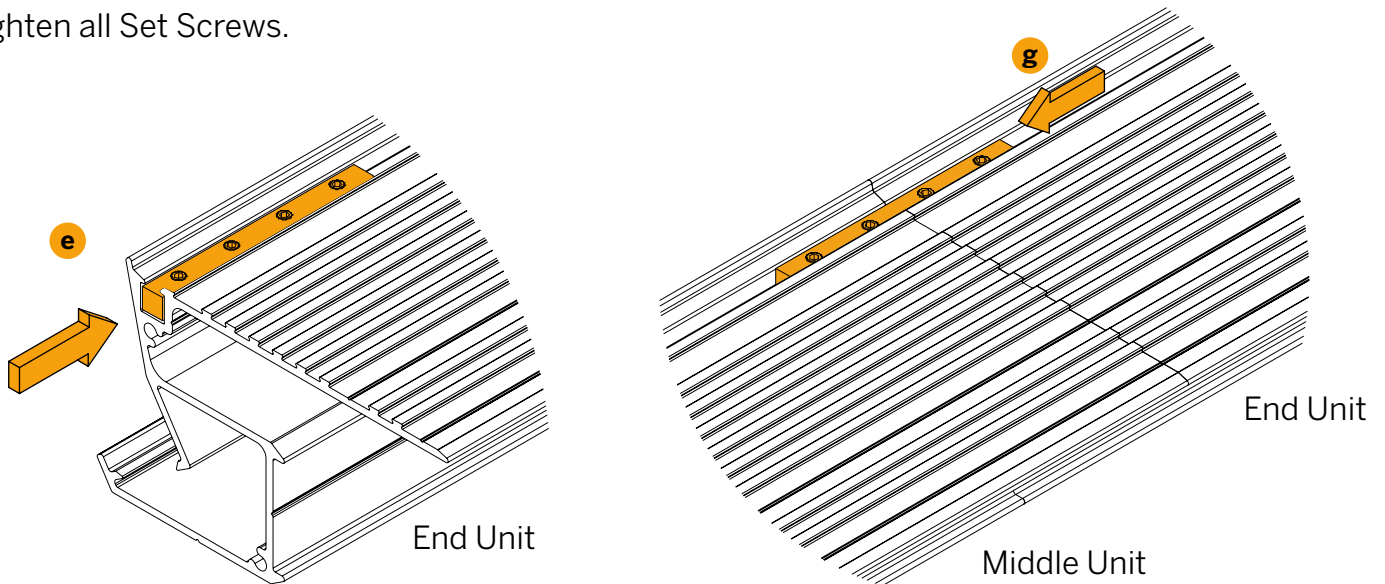
Recessed Plaster Trim

5/6

Step 6 - **Joining Units** (continued)

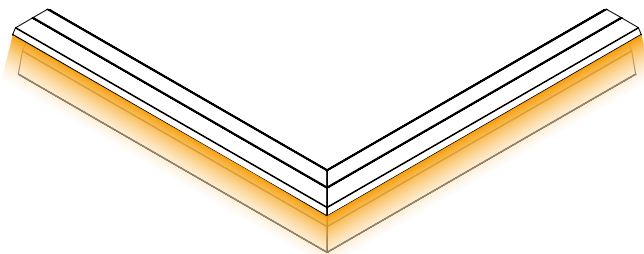
For last Unit in Run

- e** Slide the Joiner for the End Unit completely into the Unit. Do not tighten Set Screws.
- f** Place End Unit adjacent to Middle Unit.
- g** Slide Joiner back to bridge both Units.
- h** Tighten all Set Screws.

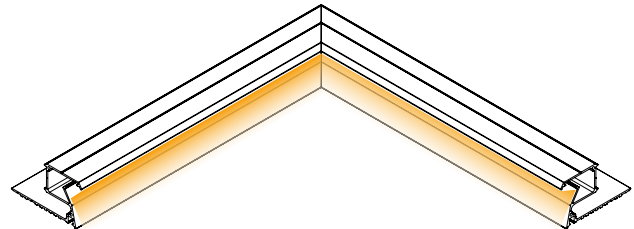


Step 7 - **Install Corners** - Multi Unit Runs only

Illustrations below of light output shows direction only, and is not indicative of actual color, intensity, or spread. See Step 5 for joining to existing Run.



Pattern Inside (PI)



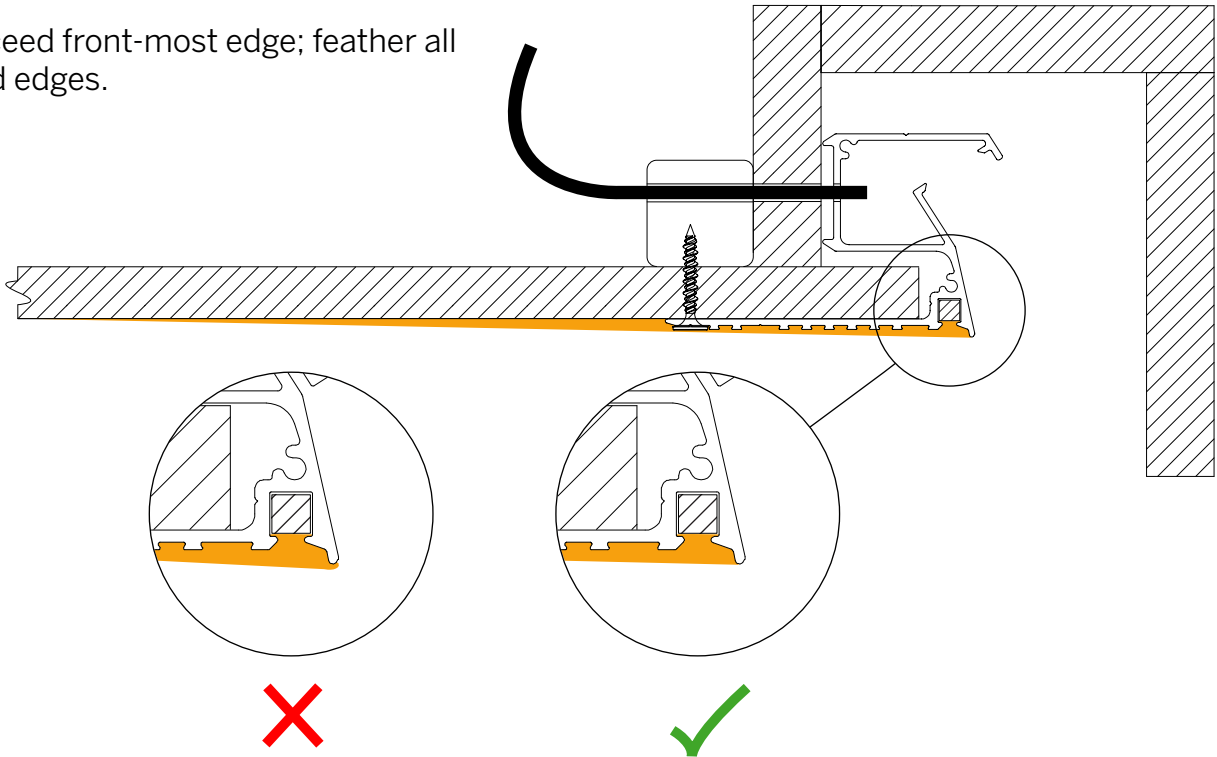
Pattern Outside (PO)

Need Help?

Step 8 - *Apply Joint Compound*

Apply Joint Compound to the bottom surface of Housing. Cover all channels and mounting screws, as shown.

Do not exceed front-most edge; feather all compound edges.



Step 9 - *Wiring Luminaire*

- a** Connect Power Lead from Luminaire to Power Lead from Remote Driver with appropriate connector (by others).
- b** Push wiring into Housing, followed by Luminaire. Mounting Clips will engage Housing as shown at right.
- b** Energize!

