

# ProTools Cylinders



whitegoods



# whitegoods

Whitegoods has developed a complete range of Downlights which utilize the form factor of LED to reduce even further their visual impact, and of course they all hold true to our constant principles.

## Our Philosophy

- Reduction of detail
- Seamless architectural integration
- Logical, modular systems and families of products
- Ease of specification, installation and maintenance

# ProTools Cylinders

## A complete Family of Cylinders

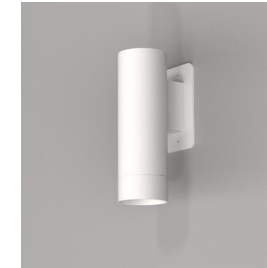
- A complete family of cylinder downlights for surface, suspended and wall mounted applications.
- 2.4", 4" and 5.5" cylinders with wide range of beam angles, lens options and wall wash available to fit a multitude of applications.
- High lumen output and excellent color rendition for all applications.
- UGR < 19 for some configurations to comply with WELL requirements.
- WL Wet Location (IP65) optional on some models.
- 92+ CRI, 2 step MacAdam Ellipse LEDs standard for Static White and Warm Dim (1800K - 3000K). 95+ CRI optional or Static White.
- Long life L70 55,000 hrs based on LM-80 & TM-21 applicable test data.
- Flicker-free constant current drivers.
- 0-10V, Phase, Lutron, DALI and DMX dimming options available.
- 5 Year warranty.



2.4" ProTools Downlight Round Cylinder



2.4" ProTools Downlight Round Cylinder Tall



2.4" ProTools Downlight Round Cylinder Wall Mount



4" ProTools Downlight Round Cylinder



4" ProTools Downlight Square Dark Cylinder



4" ProTools Wall Wash Round Cylinder



4" ProTools Wall Wash Square Cylinder



4" ProTools Downlight Round Cylinder Wall Mount



5.5" ProTools Downlight Round Cylinder

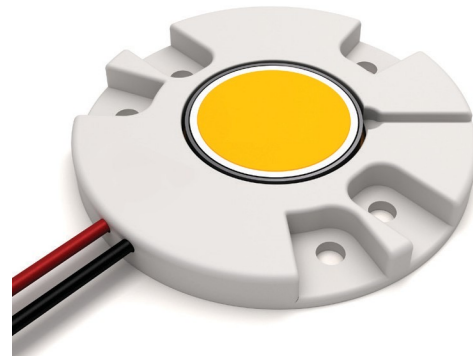
whitegoods



# LED Technology

ProTools Downlights are designed with a flexible LED platform so that the light engine can be easily installed, field exchanged and updated as new technology evolves. ProTools Downlights utilize world-class COB LED devices that deliver consistent performance and the highest quality of light available in a configuration that will work effectively with today's optical systems.

- Output range 85 – 150 delivered lumens per watt.
- CRI >92+ standard, >95+ available.
- 2 step MacAdam binning.
- Paired with highest quality drivers that deliver flicker-free, full-range dimming.
- Four standard color temperatures from 2700K-4000K.
- Warm-Dim available to emulate incandescent while dimming.
- Compatible with all common dimmer and control standards such as 0-10V, 3-wire, forward-phase with neutral, Lutron and DALI.
- High efficiency design delivers a range of excellent performance characteristics, with output available exceeding 140 lumens per watt.
- 5-year warranty.



Powered by **I B L**



# Warm Dim

Whitegoods Warm Dim lighting provides LED dim-to-warm technology virtually indistinguishable from an incandescent light source. Designed to precisely mimic the black body curve of a standard 100W A19 lamp by gradually transitioning from 1800K to 3000K.

Color Temperature	Description	Typical Usage
3000K	Neutral Warm	Office, Residential
2700K	Warm: Halogen Incandescent	Residential, Hotel
1800K	Very Warm Incandescent	Residential

whitegoods



Warm Dim

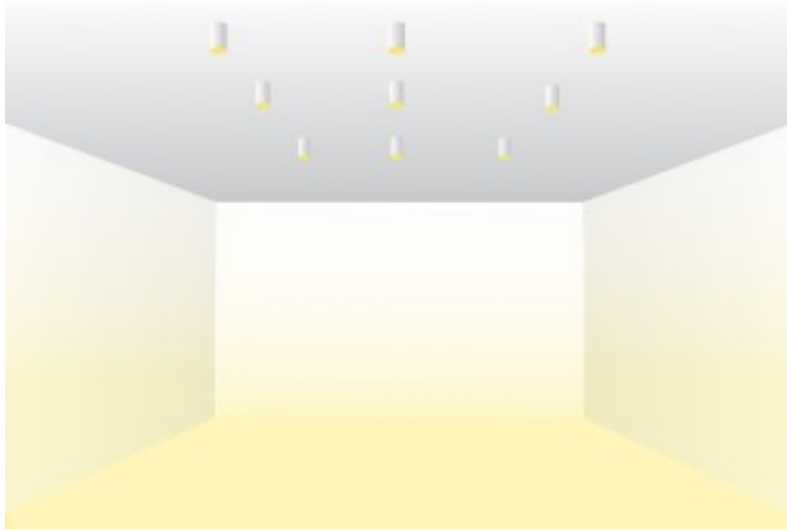


whitegoods

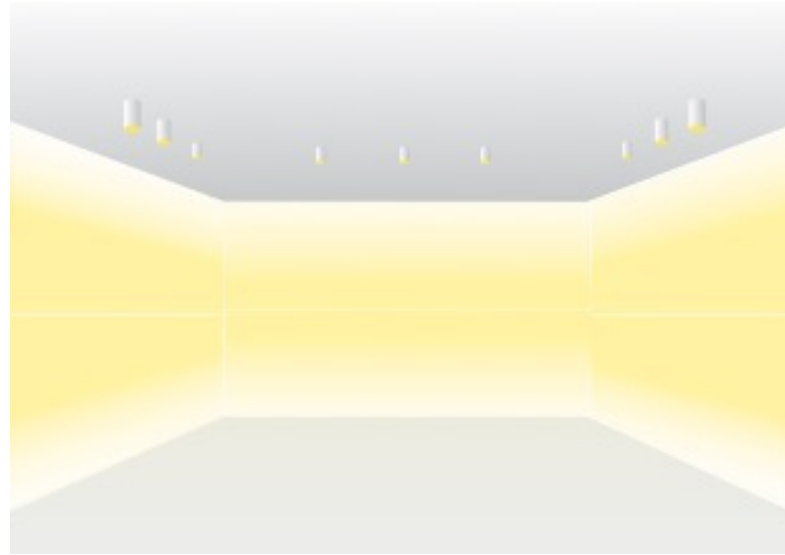
# Downlight Applications

whitegoods

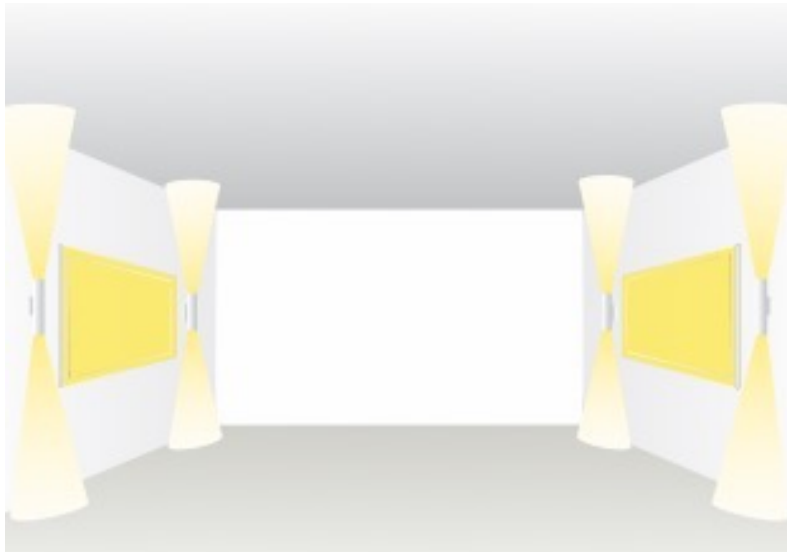
Downlight



Washlight



Wall Mount



Wet Location





**Friends of  
the Earth**

EXIT

DELL

# 2.4" ProTools Downlight Round Cylinder

## Small Aperture Cylinder



### Luminaire

- 2.4" round ceiling mounted cylinder downlight.
- Surface, suspended cable and rigid stem mounting.
- Powered by IBL light engines.
- Wide range of LED CCTs and reflectors.
- High lumen output and excellent color rendition for all applications. Efficacy up to 140 lumens per watt (delivered).
- UGR < 19 for some configurations to comply with WELL requirements.
- CREE 2 step McAdam LEDs.
- CRI >92+ standard, >95+ available.
- Warm Dim 1800 - 3000K.
- Long life L70 55,000 hrs based on LM-80 & TM-21 applicable test data.
- Constant current drivers.
- 0-10V, Phase, Lutron, DALI and DMX options available.
- 5 Year warranty.

### Power

- L = Low Power, 6.3W @ 350mA
- M = Mid Power, 9W @ 250mA
- H = High Power, 12W @ 350mA

### CRI

- 92 = 92 CRI
- 95 = 95 CRI (n/a for WD)

### CCT

- 27 = 2700K
- 30 = 3000K
- 35 = 3500K
- 40 = 4000K
- WD = Warm Dimming 1800 - 3000K

### Cover

- RRC = Round Recessed Cone

### Lens (one accessory per fixture)

- OA = Open Aperture
- SOL = Solite Lens
- LSL = Linear Spread Lens
- HL = Honeycomb Louver

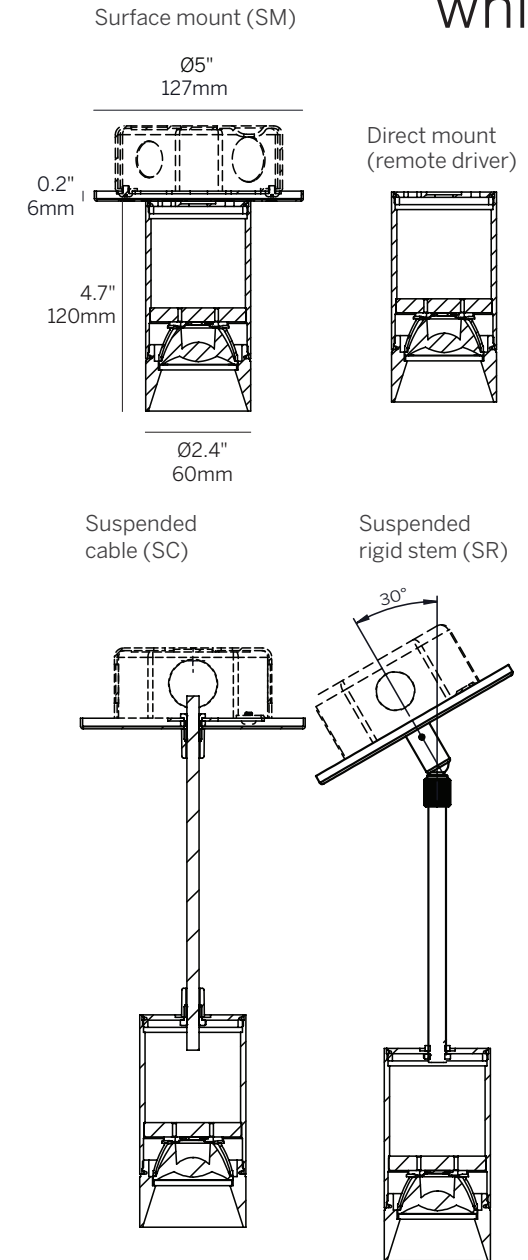
### Beam

- 15 = 15° Beam Angle (n/a for WD)
- 20 = 20° Beam Angle
- 25 = 25° Beam Angle
- 35 = 35° Beam Angle (40° for WD)
- 50 = 50° Beam Angle

### Housing / Reflector Finish

- W = White, RAL 9003 (standard)
- B = Black, RAL 9017
- S = Silver, RAL 9006
- F = Custom finish, specify RAL code

whitegoods



# 2.4" ProTools Downlight Round Cylinder Tall

## Small Aperture Cylinder



### Luminaire

- 2.4" round ceiling mounted cylinder downlight.
- Surface, suspended cable and rigid stem mounting.
- Powered by IBL light engines.
- Wide range of LED CCTs and reflectors.
- High lumen output and excellent color rendition for all applications. Efficacy up to 140 lumens per watt (delivered).
- UGR < 19 for some configurations to comply with WELL requirements.
- CREE 2 step McAdam LEDs.
- CRI >92+ standard, >95+ available.
- Warm Dim 1800 - 3000K
- Long life L70 55,000 hrs based on LM-80 & TM-21 applicable test data.
- Constant current drivers.
- 0-10V, Phase, Lutron, DALI and DMX options available.
- 5 Year warranty.

### Power

- L = Low Power, 6.3W @ 350mA
- M = Mid Power, 9W @ 250mA
- H = High Power, 12W @ 350mA

### CRI

- 92 = 92 CRI
- 95 = 95 CRI (n/a for WD)

### CCT

- 27 = 2700K
- 30 = 3000K
- 35 = 3500K
- 40 = 4000K
- WD = Warm Dimming 1800 - 3000K

### Cover

- RRC = Round Recessed Cone

### Lens (one accessory per fixture)

- OA = Open Aperture
- SOL = Solite Lens
- LSL = Linear Spread Lens
- HL = Honeycomb Louver

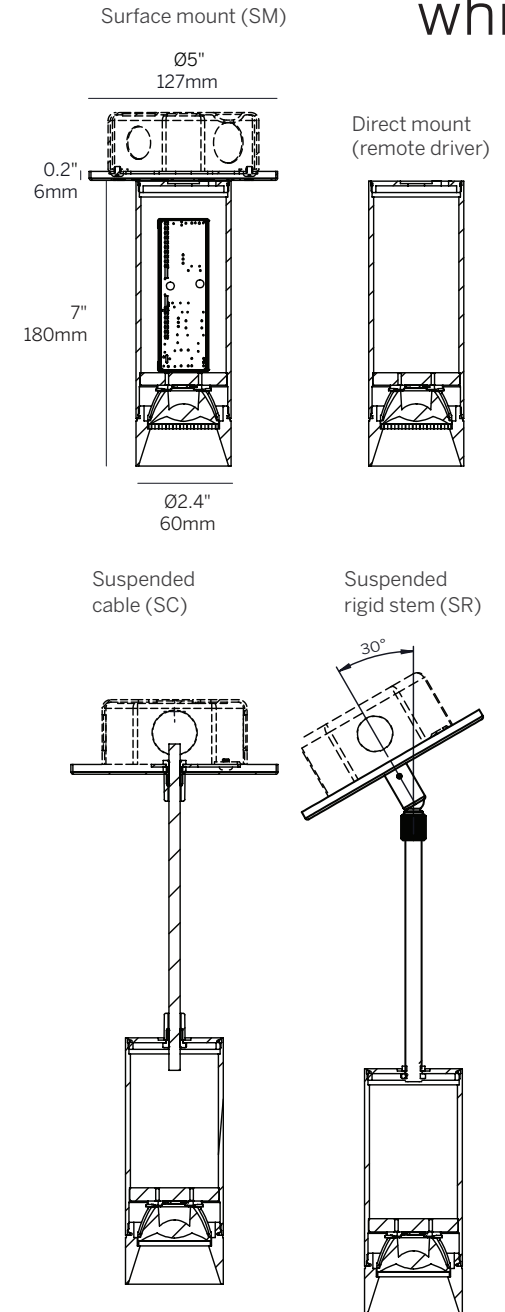
### Beam

- 15 = 15° Beam Angle (n/a for WD)
- 20 = 20° Beam Angle
- 25 = 25° Beam Angle
- 35 = 35° Beam Angle (40° for WD)
- 50 = 50° Beam Angle

### Housing / Reflector Finish

- W = White, RAL 9003 (standard)
- B = Black, RAL 9017
- S = Silver, RAL 9006
- F = Custom finish, specify RAL code

whitegoods



# 2.4" ProTools Downlight Round Cylinder Wall Mount

## Small Aperture Cylinder



### Luminaire

- Wall mounted 2.4" round cylinder downlight.
- High lumen output and excellent color rendition for all applications. Efficacy up to 140 lumens per watt (delivered).
- Powered by IBL light engines.
- UGR < 19 for some configurations to comply with WELL requirements.
- CREE 2 step McAdam LEDs.
- CRI >92+ standard, >95+ available.
- Warm Dim 1800 - 3000K.
- Long life L70 55,000 hrs based on LM-80 & TM-21 applicable test data.
- Constant current drivers.
- 0-10V, Phase, Lutron, DALI and DMX options available.
- 5 Year warranty.

### Power

- L = Low Power, 6.3W @ 350mA
- M = Mid Power, 9W @ 250mA
- H = High Power, 12W @ 350mA

### CRI

- 92 = 92 CRI
- 95 = 95 CRI (n/a for WD)

### CCT

- 27 = 2700K
- 30 = 3000K
- 35 = 3500K
- 40 = 4000K
- WD = Warm Dimming 1800 - 3000K

### Cover

- RRC = Round Recessed Cone

### Lens (one accessory per fixture)

- OA = Open Aperture
- SOL = Solite Lens
- LSL = Linear Spread Lens
- HL = Honeycomb Louver

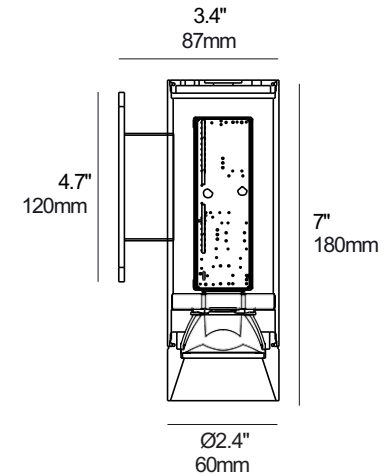
### Beam

- 15 = 15° Beam Angle (n/a for WD)
- 20 = 20° Beam Angle
- 25 = 25° Beam Angle
- 35 = 35° Beam Angle (40° for WD)
- 50 = 50° Beam Angle

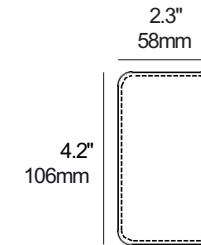
### Housing / Reflector Finish

- W = White, RAL 9003 (standard)
- B = Black, RAL 9017
- S = Silver, RAL 9006
- F = Custom finish, specify RAL code

Surface wall mount (SW)



Surface wall mount  
(single gang J-box)



whitegoods

# 4" ProTools Downlight Round Cylinder

## Medium Aperture Cylinder



### Luminaire

- 4" round ceiling mounted cylinder downlight.
- Surface, suspended cable and rigid stem mounting.
- Powered by IBL light engines.
- Wide range of LED CCTs and reflectors.
- High lumen output and excellent color rendition for all applications. Efficacy up to 140 lumens per watt (delivered).
- UGR < 19 for some configurations to comply with WELL requirements.
- CREE 2 step McAdam LEDs.
- CRI >92+ standard, >95+ available.
- Warm Dim 1800 - 3000K.
- Long life L70 55,000 hrs based on LM-80 & TM-21 applicable test data.
- Constant current drivers.
- 0-10V, Phase, Lutron, DALI and DMX options available.
- 5 Year warranty.

### Power

- L = Low Power, 6.3W @ 350mA
- M = Mid Power, 9W @ 250mA
- H = High Power, 12W @ 350mA

### CRI

- 92 = 92 CRI
- 95 = 95 CRI (n/a for WD)

### CCT

- 27 = 2700K
- 30 = 3000K
- 35 = 3500K
- 40 = 4000K
- WD = Warm Dimming 1800 - 3000K

### Cover

- RRC = Round Recessed Cone

### Lens (one accessory per fixture)

- OA = Open Aperture
- SOL = Solite Lens
- LSL = Linear Spread Lens
- HL = Honeycomb Louver

### Beam

- 15 = 15° Beam Angle (n/a for WD)
- 20 = 20° Beam Angle
- 25 = 25° Beam Angle
- 35 = 35° Beam Angle (40° for WD)
- 50 = 50° Beam Angle

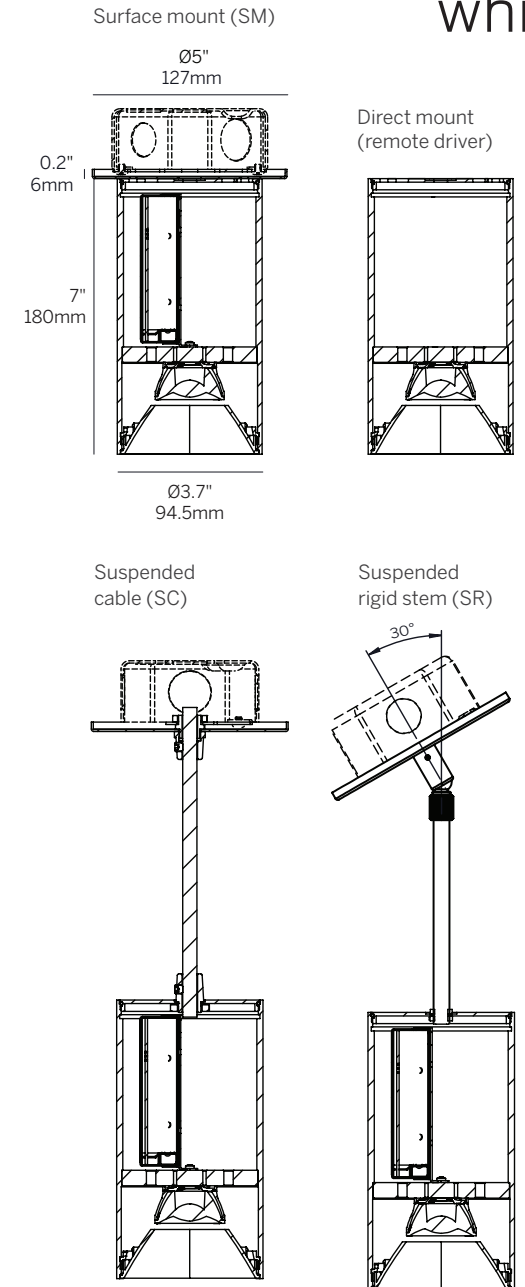
### Housing Finish

- W = White, RAL 9003 (standard)
- B = Black, RAL 9017
- S = Silver, RAL 9006
- F = Custom finish, specify RAL code

### Reflector Finish

- W = White, RAL 9003 (standard)
- B = Black, RAL 9017
- S = Silver, RAL 9006
- F = Custom finish, specify RAL code

whitegoods



# 4" ProTools Downlight Square Dark Cylinder

## Medium Aperture Cylinder



### Luminaire

- 4" square ceiling mounted cylinder downlight.
- Surface, suspended cable and rigid stem mounting.
- Powered by IBL light engines.
- Wide range of LED CCTs and reflectors.
- High lumen output and excellent color rendition for all applications. Efficacy up to 140 lumens per watt (delivered).
- UGR < 19 for some configurations to comply with WELL requirements.
- CREE 2 step McAdam LEDs.
- CRI >92+ standard, >95+ available.
- Warm Dim 1800 - 3000K.
- Long life L70 55,000 hrs based on LM-80 & TM-21 applicable test data.
- Constant current drivers.
- 0-10V, Phase, Lutron, DALI and DMX options available.
- 5 Year warranty.

### Power

- L = Low Power, 6.3W @ 350mA
- M = Mid Power, 9W @ 250mA
- H = High Power, 12W @ 350mA

### CRI

- 92 = 92 CRI
- 95 = 95 CRI (n/a for WD)

### CCT

- 27 = 2700K
- 30 = 3000K
- 35 = 3500K
- 40 = 4000K
- WD = Warm Dimming 1800 - 3000K

### Cover

- SRC = Square Recessed Cone

### Lens (one accessory per fixture)

- OA = Open Aperture
- SOL = Solite Lens
- LSL = Linear Spread Lens
- HL = Honeycomb Louver

### Beam

- 15 = 15° Beam Angle (n/a for WD)
- 25 = 25° Beam Angle
- 35 = 35° Beam Angle (40° for WD)
- 50 = 50° Beam Angle

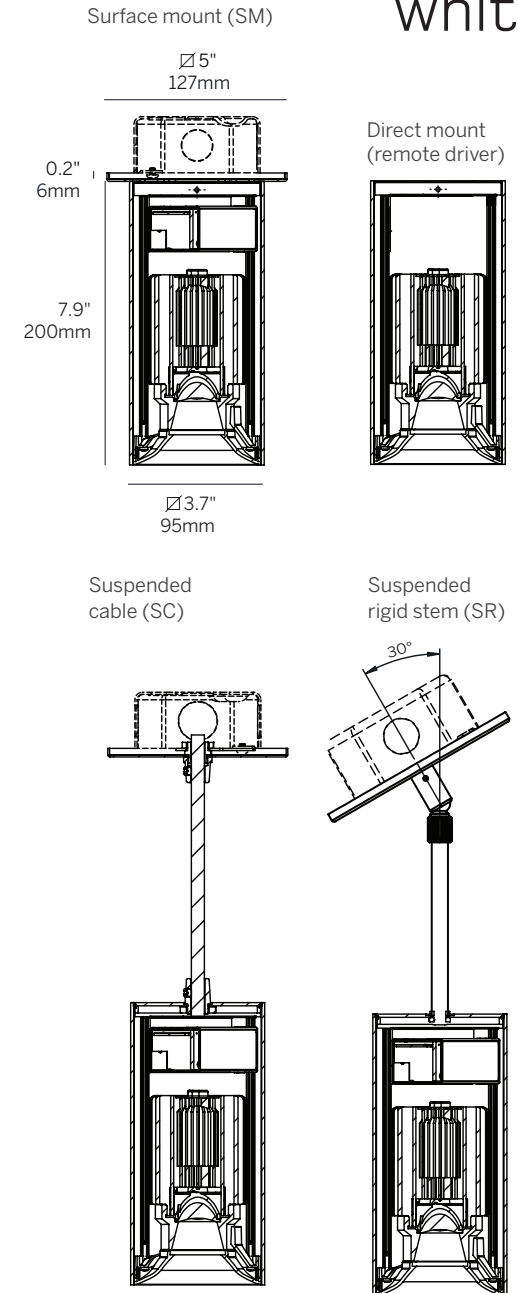
### Housing Finish

- W = White, RAL 9003 (standard)
- B = Black, RAL 9017
- S = Silver, RAL 9006
- F = Custom finish, specify RAL code

### Reflector Finish

- MW = Matte White (standard)
- MB = Matte Black
- BC = Black Chrome
- SC = Silver Chrome
- CG = Champagne Gold
- F = Custom finish

whitegoods



# 4" ProTools Wall Wash Round Cylinder

## Medium Aperture Cylinder



### Luminaire

- 4" round ceiling mounted cylinder low brightness wall wash.
- Surface, suspended cable and rigid stem mounting.
- Powered by IBL light engines.
- High lumen output and excellent color rendition for all applications. Efficacy up to 100 lumens per watt (delivered).
- UGR < 19 for some configurations to comply with WELL requirements.
- Cree 2 step McAdam LEDs.
- CRI >92+ standard, >95+ available.
- Warm Dim 1800 - 3000K.
- Long life L70 55,000 hrs based on LM-80 & TM-21 applicable test data.
- Constant current drivers.
- 0-10V, Phase, Lutron, DALI and DMX options available.
- 5 Year warranty.

### Power

- L = Low Power, 6.3W @ 350mA
- M = Mid Power, 9W @ 250mA
- H = High Power, 12W @ 350mA

### CRI

- 92 = 92 CRI
- 95 = 95 CRI (n/a for WD)

### CCT

- 27 = 2700K
- 30 = 3000K
- 35 = 3500K
- 40 = 4000K
- WD = Warm Dimming 1800 - 3000K

### Cover

- RWW = Round Wall Wash

### Beam

- WW = Wall Wash

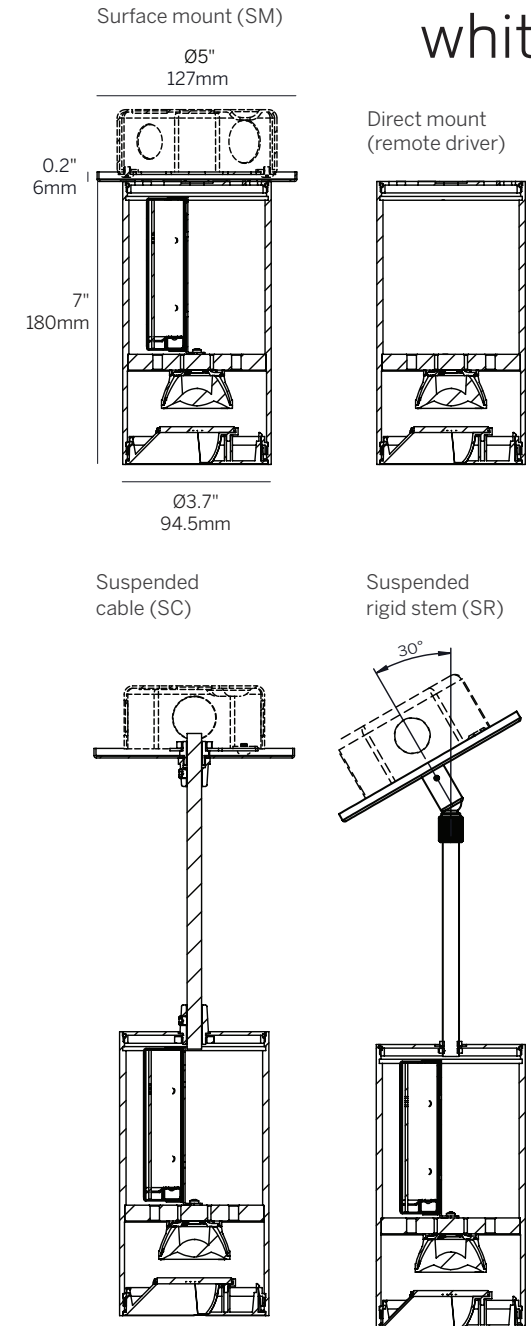
### Housing Finish

- W = White, RAL 9003 (standard)
- B = Black, RAL 9017
- S = Silver, RAL 9006
- F = Custom finish, specify RAL code

### Reflector Finish

- SCW = Silver Chrome with White Baffle, RAL 9003 (standard)
- SCB = Silver Chrome with Black Baffle, RAL 9017
- SCS = Silver Chrome with Silver Baffle, RAL 9006
- SCF = Silver Chrome with Custom finish baffle, specify RAL

whitegoods



# 4" ProTools Wall Wash Square Cylinder

## Medium Aperture Cylinder



### Luminaire

- 4" square ceiling mounted cylinder low brightness wall wash.
- Surface, suspended cable and rigid stem mounting.
- Powered by IBL light engines.
- High lumen output and excellent color rendition for all applications. Efficacy up to 100 lumens per watt (delivered).
- UGR < 19 for some configurations to comply with WELL requirements.
- CREE 2 step McAdam LEDs.
- CRI >92+ standard, >95+ available.
- Warm Dim 1800 - 3000K.
- Long life L70 55,000 hrs based on LM-80 & TM-21 applicable test data.
- Constant current drivers.
- 0-10V, Phase, Lutron, DALI and DMX options available.
- 5 Year warranty.

### Power

- L = Low Power, 6.3W @ 350mA
- M = Mid Power, 9W @ 250mA
- H = High Power, 12W @ 350mA

### CRI

- 92 = 92 CRI
- 95 = 95 CRI (n/a for WD)

### CCT

- 27 = 2700K
- 30 = 3000K
- 35 = 3500K
- 40 = 4000K
- WD = Warm Dimming 1800 - 3000K

### Cover

- SWW = Square Wall Wash

### Beam

- WW = Wall Wash

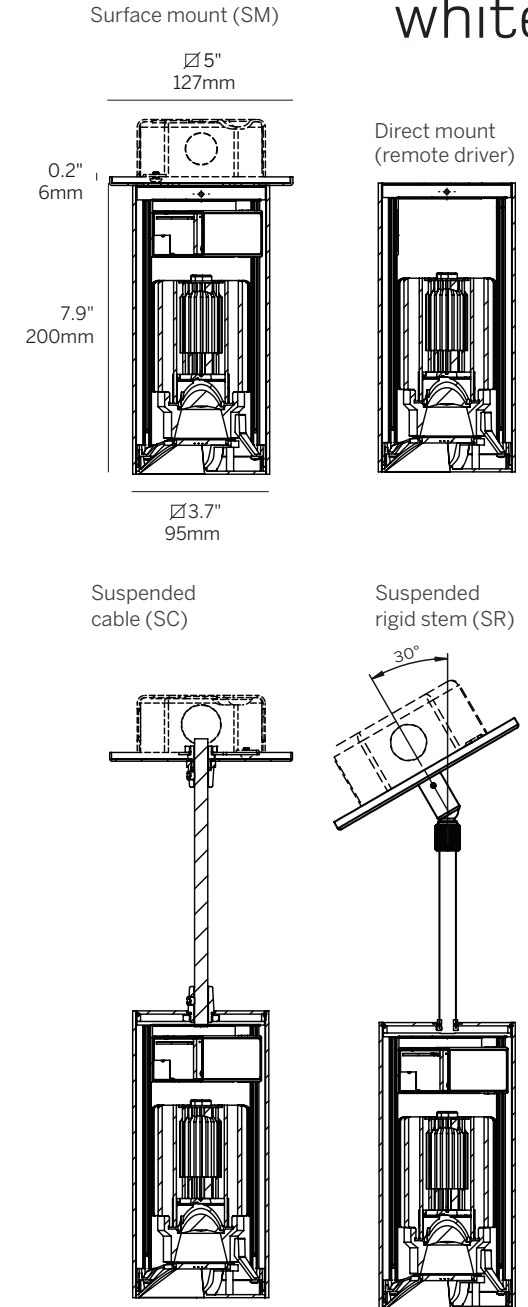
### Housing Finish

- W = White, RAL 9003 (standard)
- B = Black, RAL 9017
- S = Silver, RAL 9006
- F = Custom finish, specify RAL code

### Reflector Finish

- SCW = Silver Chrome with White Baffle, RAL 9003 (standard)
- SCB = Silver Chrome with Black Baffle, RAL 9017
- SCS = Silver Chrome with Silver Baffle, RAL 9006
- SCF = Silver Chrome with Custom finish baffle, specify RAL

whitegoods



# 4" ProTools Downlight Round Cylinder Wall Mount

## Medium Aperture Cylinder



### Luminaire

- 4" round ceiling mounted cylinder low brightness wall wash.
- Surface, suspended cable and rigid stem mounting.
- Powered by IBL light engines.
- High lumen output and excellent color rendition for all applications. Efficacy up to 100 lumens per watt (delivered).
- UGR < 19 for some configurations to comply with WELL requirements.
- CREE 2 step McAdam LEDs.
- CRI >92+ standard, >95+ available.
- Warm Dim 1800 - 3000K.
- Long life L70 55,000 hrs based on LM-80 & TM-21 applicable test data.
- Constant current drivers.
- 0-10V, Phase, Lutron, DALI and DMX options available.
- 5 Year warranty.

### Power

- L = Low Power, 6.3W @ 350mA
- M = Mid Power, 9W @ 250mA
- H = High Power, 12W @ 350mA

### CRI

- 92 = 92 CRI
- 95 = 95 CRI (n/a for WD)

### CCT

- 27 = 2700K
- 30 = 3000K
- 35 = 3500K
- 40 = 4000K
- WD = Warm Dimming 1800 - 3000K

### Cover

- RWW = Round Wall Wash

### Beam

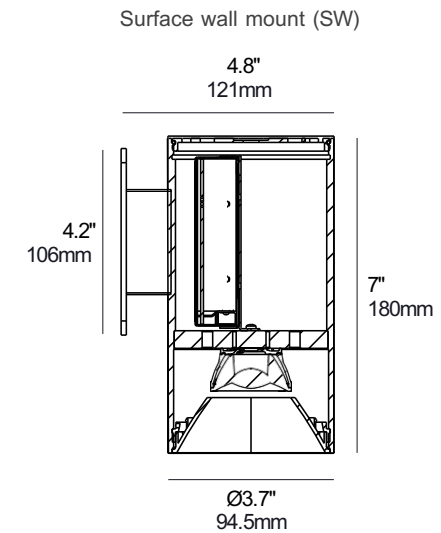
- WW = Wall Wash

### Housing Finish

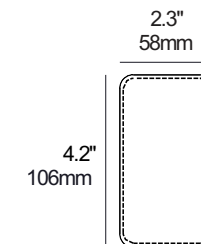
- W = White, RAL 9003 (standard)
- B = Black, RAL 9017
- S = Silver, RAL 9006
- F = Custom finish, specify RAL code

### Reflector Finish

- W = White, RAL 9003 (standard)
- B = Black, RAL 9017
- S = Silver, RAL 9006
- F = Custom finish, specify RAL code



Surface wall mount  
(single gang J-box)



# 5.5" ProTools Downlight Round Cylinder

## Large Aperture Cylinder



### Luminaire

- 5.5" round ceiling mounted cylinder downlight.
- Surface, suspended cable and rigid stem mounting.
- Powered by IBL light engines.
- Wide range of LED CCTs and reflectors.
- High lumen output and excellent color rendition for all applications. Efficacy up to 150 lumens per watt (delivered).
- UGR < 19 for some configurations to comply with WELL requirements.
- CREE 2 step McAdam LEDs.
- CRI >92+ standard, >95+ available.
- Warm Dim 1800 - 3000K.
- Long life L70 66,000 hrs based on LM-80 & TM-21 applicable test data (Warm Dim 55,000 hours).
- Constant current drivers.
- 0-10V, Phase, Lutron, DALI and DMX options available.
- 5 Year warranty.

### Power

- H = High Power, 12W @ 350mA (n/a for WD)
- XH = Extra High, 19W @ 550mA
- SH = Super High, 26W @ 700 mA

### CRI

- 92 = 92 CRI
- 95 = 95 CRI (n/a for WD)

### CCT

- 27 = 2700K
- 30 = 3000K
- 35 = 3500K
- 40 = 4000K
- WD = Warm Dimming 1800 - 3000K

### Cover

- RRC = Round Recessed Cone

### Lens (one accessory per fixture)

- OA = Open Aperture
- SOL = Solite Lens
- LSL = Linear Spread Lens
- HL = Honeycomb Louver

### Beam

- 20 = 20° Beam Angle
- 25 = 25° Beam Angle
- 35 = 35° Beam Angle
- 50 = 50° Beam Angle (55° for WD)
- 60 = 60° Beam Angle (n/a for WD)

### Housing Finish

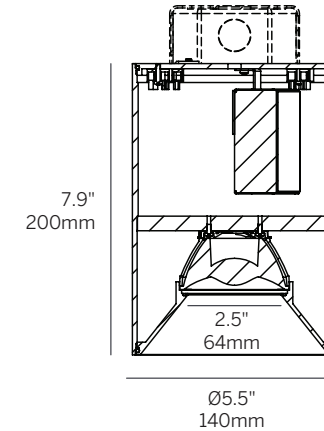
- W = White, RAL 9003 (standard)
- B = Black, RAL 9017
- S = Silver, RAL 9006
- F = Custom finish, specify RAL code

### Reflector Finish

- W = White, RAL 9003 (standard)
- B = Black, RAL 9017
- S = Silver, RAL 9006
- F = Custom finish, specify RAL code

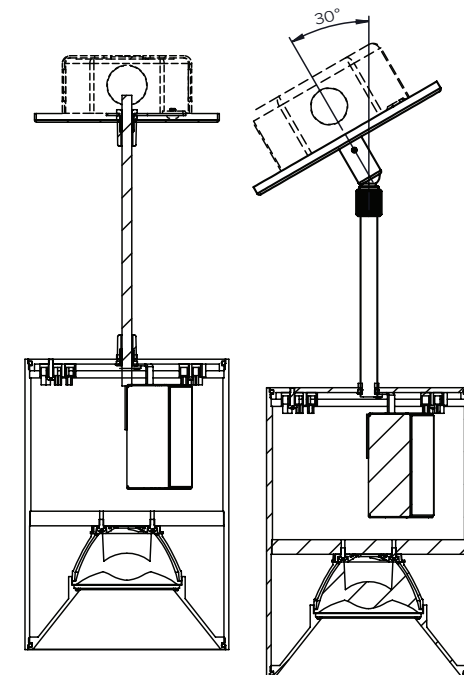
whitegoods

Surface mount (SM)



Suspended cable (SC)

Suspended rigid stem (SR)







# ProTools Cylinders

whitegoods

A complete Family of Cylinders



2.4" ProTools Downlight  
Round Cylinder



2.4" ProTools Downlight  
Round Cylinder Tall



2.4" ProTools Downlight  
Round Cylinder  
Wall Mount



4" ProTools Downlight  
Round Cylinder



4" ProTools Wall Wash  
Round Cylinder



4" ProTools Downlight  
Round Cylinder  
Wall Mount



5.5" ProTools Downlight  
Round Cylinder



4" ProTools Downlight  
Square Dark Cylinder



4" ProTools Wall Wash  
Square Cylinder

# ProTools Cylinders



whitegoods