

## 20 Linear Suspended



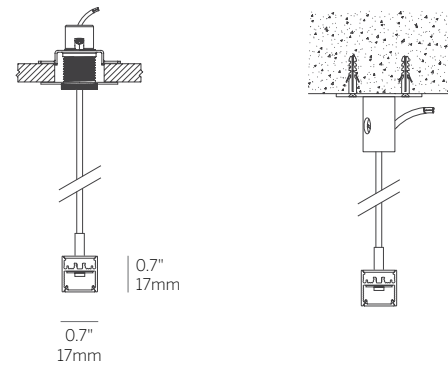
Miniature suspended downlight for general, accent and decorative lighting. Power suspensions with small ceiling canopies.

<b>Housing</b>	Precision extruded aluminum for true dimensions and tolerances Lengths from 12"-72" single luminaires Finishes: white, black, silver and custom
<b>Integration</b>	Suspension from any surface
<b>Distribution</b>	Multiple lenses and louvers for general, accent, decorative and grazing application
<b>LED</b>	Constant Voltage, 90+ CRI, 3 Steps MacAdam, 3W - 10W per foot L70 lifetime (TM21 Projected 85C) Static White (2700K-4000K) = 60,000 hours Warm Dim (1800K-3000K) = 36,000 hours
<b>Lens</b>	OD - Opal Diffuser provides even, continuous line of light and general illumination MPL - Micro-prismatic lens provides lower brightness, general illumination NL16 - Narrow Lens optic provides narrow beam for wall grazing applications LL45 - 45 degree Louver in white or black provides extreme low brightness BD - Block Diffuser of satin acrylic provides general illumination and decorative effect ROD - Round Opal Diffuser 0.8" diameter provides general illumination
<b>Driver</b>	Remote driver  Compatible with quality constant voltage drivers
<b>Connectivity</b>	Lutron Athena Wireless Node RF Casambi BlueTooth
<b>Weight</b>	0.5lbs per foot
<b>Operating Temp</b>	Suitable for operation in maximum ambient temperature of 35C (95F)
<b>Warranty</b>	5-year Limited (see complete company warranty information)
<b>Certifications</b>	ETL and ETL-C for dry and damp location, CE
<b>Voltages</b>	24V Fixture / 120-277VAC Driver (remote)

### Lenses/Accessories

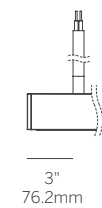


Suspended (S)



Gypsum /Tile Ceiling

Solid Ceiling



Power Feed

technical  
information

## 20 Linear Suspended

Model	Fixation	Pattern	Length	Power <sup>1</sup>	CRI/ CCT <sup>2</sup>	Driver <sup>3</sup>	Lens	Finish	Options
WG-20LDL	S48 (std) S96	S	A	L M H	927 930 935 940 WD	X S D010 DPH L3DAE L3DOE EL96 DALI	OD (std) MPL NL16 LL45B <sup>4</sup> LL45W <sup>4</sup> BDO <sup>5</sup> BDC <sup>5</sup> ROD <sup>5</sup>	W (std) B S F	AWNRF BT EM

### Model

- WG-20LDL-S = 20 Linear Suspended

### Fixation

- S48 = 48" suspension cable standard, field-cutttable (standard)
- S96 = 96" suspension cable, field-cutttable (above 60" additional suspension added)

### Pattern

- S = Straight run (individual fixtures only, for other configurations see WG-20LDL)

### Length

- A = specify inches to the nearest 0.25" (i.e. 71.75") (72" max length)

### Power<sup>1</sup>

- L = 3W/ft low power (WD 2.7 W/ft) (24V)
- M = 6W/ft mid power (WD 5.5 W/ft) (24V)
- H = 10W/ft high power (WD 8 W/ft) (24V)

### CRI/CCT (90+ CRI)<sup>2</sup>

- 927 = 2700K
- 930 = 3000K
- 935 = 3500K
- 940 = 4000K
- WD = Warm Dimming (1800K - 3000K)

### Driver (remote)<sup>3</sup>

- X = No driver, ordered separately
- S = Standard, non-dim driver 120-277V
- D010 = eldoLED, 10%, 0-10V dimming, 120-277V
- DPH = Phase Dimming, 1% dimming, 120V only
- L3DAE = Lutron Hi-lume 1% EcoSystem, 120-277V
- L3DOE = Lutron Hi-lume Premier 0.1% EcoSystem, 120-277V
- EL96 = eldoLED, 24V, 0.1% 0-10V Dimming
- DALI = eldoLED DALI (DT6), 0.1% dimming (120-277V)

### Lens

- OD = Satin opal diffuser (standard)
- MPL = Micro-prismatic lens
- NL16 = Linear narrow lens, 16°
- LL45B = Linear louver black<sup>4</sup>
- LL45W = Linear louver white<sup>4</sup>
- BDO = Block Diffuser Opal<sup>5</sup>
- BDC = Block Diffuser Clear<sup>5</sup>
- ROD = Round opal diffuser<sup>5</sup>
- Finish**
- W = White, 15% gloss, RAL 9010 (standard)
- B = Black, 15% gloss, RAL 9005
- S = Silver, 15% gloss, RAL 9006
- F = Custom finished trim, specify RAL

### Options

- AWNRF = Lutron Athena Wireless Node RF (specify with D010, EL96, or DALI)
- BT = Wireless CAS – Casambi (specify with D010, EL96, or DALI)
- EM = Emergency (remote)

Whitegoods reserves the right to change any information without prior notice.

### Notes

- Wattage shown is for LED boards only, system wattage varies depending on driver selected.
- Refer to specsheet for delivered lumen data for all product configurations.
- Remote power supply required. See power supply page for details.
- Louver available in 0.5" increments, straight runs only.
- Butt seam (lens) when in continuous run, straight runs only.