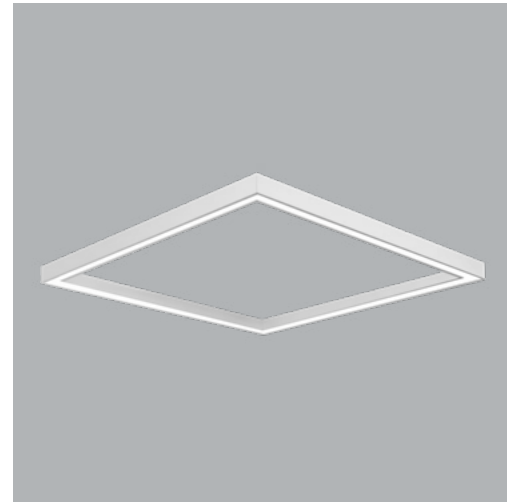


# 20 Linear Configurations



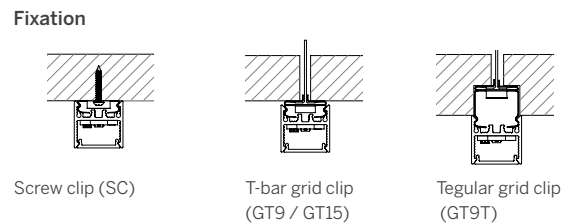
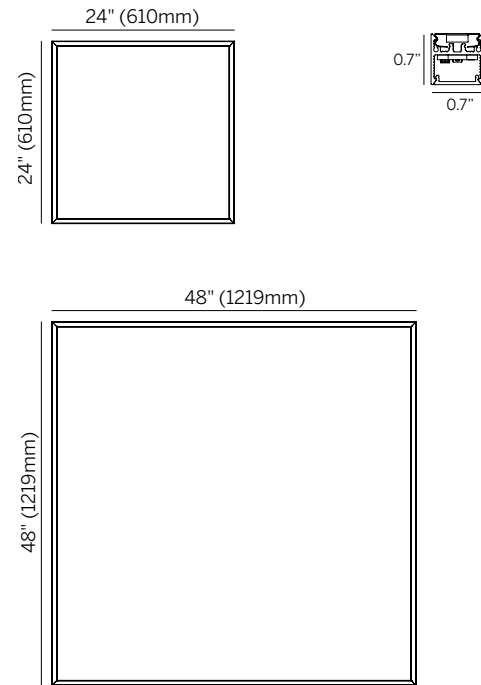
whitegoods

## 20 Linear Surface Frame Square





Square surface mounted luminaire, fits standard ceiling grids.

<b>Housing</b>	Precision extruded aluminum for true dimensions and tolerances Square configuration designed to fit standard 2' x 2' ceiling grids Finishes: white, black, silver and custom
<b>Integration</b>	Fixation onto any surface using standard clips, magnets and grid clips
<b>Distribution</b>	Multiple lenses for general, diffuse illumination
<b>LED</b>	Constant Voltage, 90+ CRI, 3 Steps MacAdam, 3W - 6W per foot L70 lifetime (TM21 Projected 85C) Static White (2700K-4000K) = 60,000 hours
<b>Lens</b>	OD - Opal Diffuser provides even, continuous line of light and general illumination MPL - Micro-prismatic lens provides lower brightness, general illumination
<b>Driver</b>	Remote driver Compatible with quality constant voltage drivers
<b>Connectivity</b>	Lutron Athena Wireless Node RF Casambi BlueTooth
<b>Weight</b>	0.5lbs per foot
<b>Operating Temp</b>	Suitable for operation in maximum ambient temperature of 35C (95F)
<b>Warranty</b>	5-year Limited (see complete company warranty information)
<b>Certifications</b>	ETL and ETL-C for dry and damp location, CE
<b>Voltages</b>	24V Fixture / 120-277VAC Driver (remote)



### Lenses/Accessories

-  Opal Diffuser (OD)
-  Micro-prismatic Lens (MPL)

technical information

## 20 Linear Surface Frame Square

Model	Fixation	Pattern	Length	Power <sup>1</sup>	CRI/ CCT <sup>2</sup>	Driver <sup>3</sup>	Lens	Finish	Cable	Options
WG-20LDL-FR	SC GT9 GT9T GT15	SQ	24 x 24 48 x 48 A x B	L M	927 930 935 940	X S D010 DPH L3DAE L3DOE EL96 DALI	OD (std) MPL	W (std) B S F	C4 (std) C10 C20 C30	AWNRF BT EM

### Model

- WG-20LDL-FR = 20 Linear Surface Frame Square

### Fixation

- SC = Screw clip
- GT9 = 9/16" T-bar grid clip
- GT9T = 9/16" Tegular grid clip
- GT15 = 15/16" T-bar grid clip

### Pattern

- SQ = Square with 4 sided and 90° corners on the same plane

### Length

- 24 x 24 = 24" x 24"
- 48 x 48 = 48" x 48"
- A x B = specify inches to the nearest 0.25" (i.e. 72.25")

### Power<sup>1</sup>

- L = 3W/ft low power (24V)  
24 x 24, 24W  
48 x 48, 48W
- M = 6W/ft mid power (24V)  
24 x 24, 48W  
48 x 48, 96W

### CRI/CCT (90+ CRI)<sup>2</sup>

- 927 = 2700K
- 930 = 3000K
- 935 = 3500K
- 940 = 4000K

### Driver (remote)<sup>3</sup>

- X = No driver, ordered separately
- S = Standard, non-dim driver 120-277V
- D010 = eldoLED, 10%, 0-10V dimming, 120-277V
- DPH = Phase Dimming, 1% dimming, 120V only
- L3DAE = Lutron Hi-lume 1% EcoSystem, 120-277V
- L3DOE = Lutron Hi-lume Premier 0.1% EcoSystem, 120-277V
- EL96 = eldoLED, 24V, 0.1% 0-10V Dimming, 120-277V
- DALI = eldoLED DALI (DT6), 0.1% dimming (120-277V)

### Lens

- OD = Satin opal diffuser (standard)
- MPL = Micro-prismatic lens

### Finish

- W = White, 15% gloss, RAL 9010 (standard)
- B = Black, 15% gloss, RAL 9005
- S = Silver, 15% gloss, RAL 9006
- F = Custom finished trim, specify RAL

### Cable

- C4 = 4' tray cable (plenum rated) (standard)
- C10 = 10' tray cable (plenum rated)
- C20 = 20' tray cable (plenum rated)
- C30 = 30' tray cable (plenum rated)

### Options

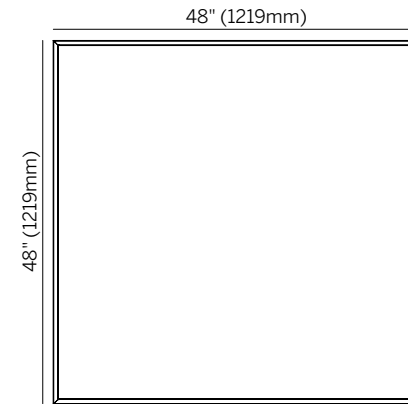
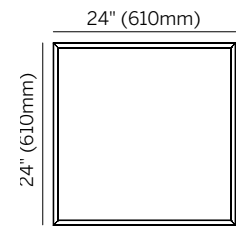
- AWNRF = Lutron Athena Wireless Node RF (specify with D010, EL96 or DALI)
- BT = Wireless CAS - Casambi (specify with D010, EL96 or DALI)
- EM = Emergency LED driver (remote)

Whitegoods reserves the right to change any information without prior notice.

### Notes

- 1 Wattage shown is for LED boards only, system wattage varies depending on driver selected.
- 2 See photometric data sheet for delivered lumens.
- 3 Remote power supply required. See power supply page for details.

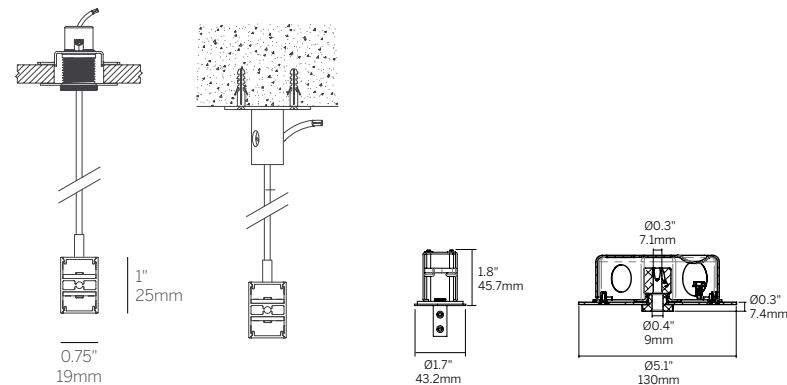
## 20 Linear Direct/Indirect Suspended Frame Square



**Square miniature suspended Direct, Indirect or Direct / Indirect for general, accent and decorative lighting.**

<b>Housing</b>	Precision extruded aluminum for true dimensions and tolerances Standard and tailored lengths including corner configurations Finishes: white, black, silver and custom
<b>Integration</b>	Suspension from any surface
<b>Distribution</b>	Multiple lenses and louvers for general, accent, decorative and grazing application
<b>LED</b>	Constant Voltage, 90+ CRI, 3 Steps MacAdam, 3W - 6W per foot L70 lifetime (TM21 Projected 85C) Static White (2700K-4000K) = 60,000 hours
<b>Lens</b>	OD - Opal Diffuser provides even, continuous line of light and general illumination SD - Satin Clear Diffuser provides high efficiency soft edge beam, general illumination MPL - Micro-prismatic lens provides lower brightness, general illumination
<b>Driver</b>	Remote driver Compatible with quality constant voltage drivers
<b>Connectivity</b>	Lutron Athena Wireless Node RF Casambi BlueTooth
<b>Weight</b>	0.5lbs per foot
<b>Operating Temp</b>	Suitable for operation in maximum ambient temperature of 35C (95F)
<b>Warranty</b>	5-year Limited (see complete company warranty information)
<b>Certifications</b>	ETL and ETL-C for dry and damp location, CE
<b>Voltages</b>	24V Fixture / 120-277VAC Driver (remote)

### Lenses/Accessories



Opal Diffuser (OD)  
Satin Diffuser (SD)  
Micro-prismatic Lens (MPL)

Gypsum /  
Tile Ceiling

Solid Ceiling

Canopy (4 minimum)

Canopy (5C)

technical  
information

## 20 Linear Direct/Indirect Suspended Frame Square

Model	Fixation	Pattern	Length	Direct				Indirect				Finish	Options
				Power <sup>1</sup>	CRI/ CCT <sup>2</sup>	Driver <sup>3</sup>	Lens	Power <sup>1</sup>	CRI/ CCT <sup>2</sup>	Driver <sup>3</sup>	Lens		
WG-20LDI-FR direct / indirect	S48 (std) S96	SQ	24 x 24 48 x 48 A x A	L M	927 930 935 940	X S D010 DPH L3DAE L3DOE EL96 DALI	OD (std) MPL	L M	927 930 935 940	X S D010 DPH L3DAE L3DOE EL96 DALI	OD (std) SD	W (std) B S F	AWNRF BT 5C DC EM

### Model

- WG-20LDI-FR = 20 Linear Direct/Indirect Suspended Frame Square
- WG-20LD-FR = 20 Linear Direct Suspended Frame Square
- WG-20LI-FR = 20 Linear Indirect Suspended Frame Square

### Fixation

- S48 = 48" suspension cable standard, field-cuttable (standard)
- S96 = 96" suspension cable, field-cuttable

### Pattern

- SQ = Square with 4 sided and 90° corners on the same plane

### Length

- 24 x 24 = 24" x 24"
- 48 x 48 = 48" x 48"
- A x A = specify inches to the nearest 0.25" (i.e. 72.25")

### Power<sup>1</sup>

- L = 3W/ft low power (24V)  
24 x 24, 24W  
48 x 48, 48W
- M = 6W/ft mid power (24V)  
24 x 24, 48W  
48 x 48, 96W

### CRI/CCT (90+ CRI)<sup>2</sup>

- 927 = 2700K
- 930 = 3000K
- 935 = 3500K
- 940 = 4000K

### Driver (remote)<sup>3</sup>

- X = No driver, ordered separately
- S = Standard, non-dim driver 120-277V
- D010 = eldoLED, 10%, 0-10V dimming, 120-277V
- DPH = Phase Dimming, 1% dimming, 120V only
- L3DAE = Lutron Hi-lume 1% EcoSystem, 120-277V
- L3DOE = Lutron Hi-lume Premier 0.1% EcoSystem, 120-277V
- EL96 = eldoLED, 24V, 0.1% 0-10V Dimming
- DALI = eldoLED DALI (DT6), 0.1% dimming (120-277V)

### Lens

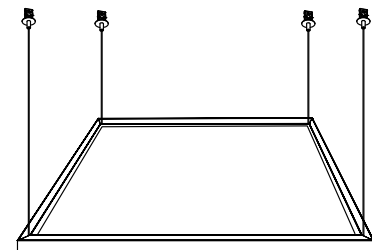
- OD = Satin opal diffuser (standard)
- SD = Satin clear diffuser
- MPL = Micro-prismatic lens

### Finish

- W = White, 15% gloss, RAL 9010 (standard)
- B = Black, 15% gloss, RAL 9005
- S = Silver, 15% gloss, RAL 9006
- F = Custom finished trim, specify RAL

### Options

- AWNRF = Lutron Athena Wireless Node RF (specify with D010, EL96 or DALI)
- BT = Wireless CAS - Casambi (specify with D010, EL96 or DALI)
- 5C = 5" canopy (use with 4" Jbox)
- DC = Dual circuit
- EM = Emergency (remote)



Suspension (4 minimum)

Whitegoods reserves the right to change any information without prior notice.

### Notes

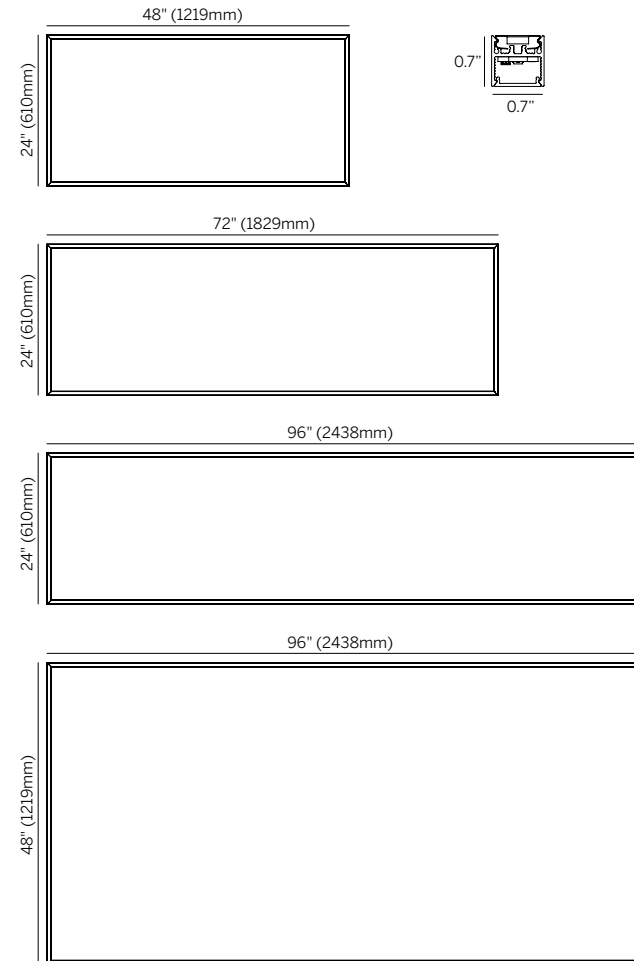
- Wattage is shown for LED boards only, system wattage varies depending on driver selected.
- When specifying 20LDI please specify CRI / CCT and Driver for Direct and Indirect if different CRI / CCT / Driver is needed, i.e. 930-M-OD-D010-RGBW-M-SD-DMX. Refer to specsheet for delivered lumen data for all product configurations.
- Remote power supply required. See power supply page for details.

## 20 Linear Surface Frame Rectangle

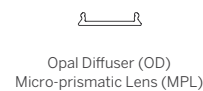


Rectangular surface mounted luminaire, fits standard ceiling grids.

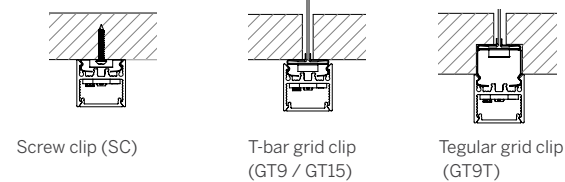
<b>Housing</b>	Precision extruded aluminum for true dimensions and tolerances Square configuration designed to fit standard 2' x 2' ceiling grids Finishes: white, black, silver and custom
<b>Integration</b>	Fixation onto any surface using standard clips, magnets and grid clips
<b>Distribution</b>	Multiple lenses for general, diffuse illumination
<b>LED</b>	Constant Voltage, 90+ CRI, 3 Steps MacAdam, 3W - 6W per foot L70 lifetime (TM21 Projected 85C) Static White (2700K-4000K) = 60,000 hours
<b>Lens</b>	OD - Opal Diffuser provides even, continuous line of light and general illumination MPL - Micro-prismatic lens provides lower brightness, general illumination
<b>Driver</b>	Remote driver Compatible with quality constant voltage drivers
<b>Connectivity</b>	Lutron Athena Wireless Node RF Casambi BlueTooth
<b>Weight</b>	0.5lbs per foot
<b>Operating Temp</b>	Suitable for operation in maximum ambient temperature of 35C (95F)
<b>Warranty</b>	5-year Limited (see complete company warranty information)
<b>Certifications</b>	ETL and ETL-C for dry and damp location, CE
<b>Voltages</b>	24V Fixture / 120-277VAC Driver (remote)



### Lenses/Accessories



### Fixation



technical information

## 20 Linear Surface Frame Rectangle

Model	Fixation	Pattern	Length	Power <sup>2</sup>	CRI/ CCT <sup>3</sup>	Driver <sup>4</sup>	Lens	Finish	Cable	Options
WG-20LDL-FR	SC GT9 <sup>1</sup> GT9T <sup>1</sup> GT15 <sup>1</sup>	R	24 x 48 24 x 72 24 x 96 48 x 96 A x B	L M	927 930 935 940	X S D010 DPH L3DAE L3DOE EL96 DALI	OD (std) MPL	W (std) B S F	C4 (std) C10 C20 C30	AWNRF BT EM

### Model

- WG-20LDL-FR = 20 Linear Surface Frame Rectangle

### Fixation

- SC = Screw clip
- GT9 = 9/16" T-bar grid clip<sup>1</sup>
- GT9T = 9/16" Tegular grid clip<sup>1</sup>
- GT15 = 15/16" T-bar grid clip<sup>1</sup>

### Pattern

- R = Rectangle with 4 sided and 90° corners on the same plane

### Length

- 24 x 48 = 24" x 48"
- 24 x 72 = 24" x 72"
- 24 x 96 = 24" x 96"
- 48 x 96 = 48" x 96"
- A x B = specify inches to the nearest 0.25" (i.e. 72.25")

### Power<sup>2</sup>

- L = 3W/ft low power (24V)  
24 x 48, 36W  
24 x 72, 48W  
24 x 96, 60W  
48 x 96, 72W
- M = 6W/ft mid power (24V)  
24 x 48, 72W  
24 x 72, 96W  
24 x 96, 120W  
48 x 96, 144W

### CRI/CCT (90+ CRI)<sup>3</sup>

- 927 = 2700K
- 930 = 3000K
- 935 = 3500K
- 940 = 4000K

### Driver (remote)<sup>4</sup>

- X = No driver, ordered separately
- S = Standard, non-dim driver 120-277V
- D010 = eldoLED, 10%, 0-10V dimming, 120-277V
- DPH = Phase Dimming, 1% dimming, 120V only
- L3DAE = Lutron Hi-lume 1% EcoSystem, 120-277V
- L3DOE = Lutron Hi-lume Premier 0.1% EcoSystem, 120-277V
- EL96 = eldoLED, 24V, 0.1% 0-10V Dimming, 120-277V
- DALI = eldoLED DALI (DT6), 0.1% dimming (120-277V)

### Lens

- OD = Satin opal diffuser (standard)
- MPL = Micro-prismatic lens

### Finish

- W = White, 15% gloss, RAL 9010 (standard)
- B = Black, 15% gloss, RAL 9005
- S = Silver, 15% gloss, RAL 9006
- F = Custom finished trim, specify RAL

### Cable

- C4 = 4' tray cable (plenum rated) (standard)
- C10 = 10' tray cable (plenum rated)
- C20 = 20' tray cable (plenum rated)
- C30 = 30' tray cable (plenum rated)

### Options

- AWNRF = Lutron Athena Wireless Node RF (specify with D010, EL96 or DALI)
- BT = Wireless CAS - Casambi (specify with D010, EL96 or DALI)
- EM = Emergency LED driver (remote)

Whitegoods reserves the right to change any information without prior notice.

### Notes

- Wattage is shown for LED boards only, system wattage varies depending on driver selected.
- When specifying 20LDL please specify CRI / CCT and Driver for Direct and Indirect if different CRI / CCT / Driver is needed, i.e. 930-M-OD-D010-RGBW-M-SD-DMX. Refer to specsheet for delivered lumen data for all product configurations.
- Remote power supply required. See power supply page for details.

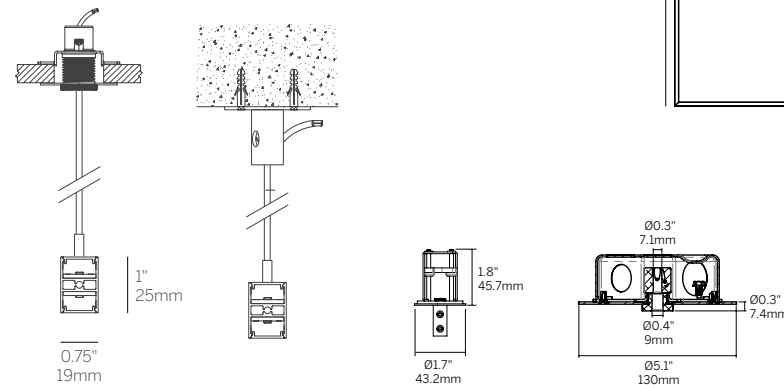
## 20 Linear Direct/Indirect Suspended Frame Rectangle



Rectangular miniature suspended Direct, Indirect or Direct / Indirect for general, accent and decorative lighting.

<b>Housing</b>	Precision extruded aluminum for true dimensions and tolerances Standard and tailored lengths including corner configurations Finishes: white, black, silver and custom
<b>Integration</b>	Suspension from any surface
<b>Distribution</b>	Multiple lenses and louvers for general, accent, decorative and grazing application
<b>LED</b>	Constant Voltage, 90+ CRI, 3 Steps MacAdam, 3W - 6W per foot L70 lifetime (TM21 Projected 85C) Static White (2700K-4000K) = 60,000 hours
<b>Lens</b>	OD - Opal Diffuser provides even, continuous line of light and general illumination SD - Satin Clear Diffuser provides high efficiency soft edge beam, general illumination MPL - Micro-prismatic lens provides lower brightness, general illumination
<b>Driver</b>	Remote driver Compatible with quality constant voltage drivers
<b>Connectivity</b>	Lutron Athena Wireless Node RF Casambi BlueTooth
<b>Weight</b>	0.5lbs per foot
<b>Operating Temp</b>	Suitable for operation in maximum ambient temperature of 35C (95F)
<b>Warranty</b>	5-year Limited (see complete company warranty information)
<b>Certifications</b>	ETL and ETL-C for dry and damp location, CE
<b>Voltages</b>	24V Fixture / 120-277VAC Driver (remote)

### Lenses/Accessories



Opal Diffuser (OD)  
Satin Diffuser (SD)  
Micro-prismatic Lens (MPL)

Gypsum /  
Tile Ceiling

Solid Ceiling

Canopy (4 minimum)

Canopy (5C)

technical  
information

## 20 Linear Direct/Indirect Suspended Frame Rectangle

Model	Fixation	Pattern	Length	Direct				Indirect				Finish	Options
				Power <sup>1</sup>	CRI/ CCT <sup>2</sup>	Driver <sup>3</sup>	Lens	Power <sup>1</sup>	CRI/ CCT <sup>2</sup>	Driver <sup>3</sup>	Lens		
WG-20LDI-FR direct / indirect	S48 (std) S96	R	24 x 48 24 X 72 24 x 96 48 x 96 A x A	L M	927 930 935 940	X S D010 DPH L3DAE L3DOE EL96 DALI	OD (std) MPL	L M	927 930 935 940	X S D010 DPH L3DAE L3DOE EL96 DALI	OD (std) SD	W (std) B S F	AWNRF BT 5C DC EM

### Model

- WG-20LDI-FR = 20 Linear Direct/Indirect Suspended Frame Rectangle
- WG-20LD-FR = 20 Linear Direct Suspended Frame Rectangle
- WG-20LI-FR = 20 Linear Indirect Suspended Frame Rectangle

### Fixation

- S48 = 48" suspension cable standard, field-cuttable (standard)
- S96 = 96" suspension cable, field-cuttable

### Pattern

- R = Rectangle with 4 sided and 90° corners on the same plane

### Length

- 24 x 48 = 24" x 48"
- 24 x 72 = 24" x 72"
- 24 x 96 = 24" x 96"
- 48 x 96 = 48" x 96"
- A x A = specify inches to the nearest 0.25" (i.e. 72.25")

### Power<sup>1</sup>

- L = 3W/ft low power (24V)  
24 x 48, 36W  
24 x 72, 48W  
24 x 96, 60W  
48 x 96, 72W
- M = 6W/ft mid power (24V)  
24 x 48, 72W  
24 x 72, 96W  
24 x 96, 120W  
48 x 96, 144W

### CRI/CCT (90+ CRI)<sup>2</sup>

- 927 = 2700K
- 930 = 3000K
- 935 = 3500K
- 940 = 4000K

### Driver (remote)<sup>3</sup>

- X = No driver, ordered separately
- S = Standard, non-dim driver 120-277V
- D010 = eldoLED, 10%, 0-10V dimming, 120-277V
- DPH = Phase Dimming, 1% dimming, 120V only
- L3DAE = Lutron Hi-lume 1% EcoSystem, 120-277V
- L3DOE = Lutron Hi-lume Premier 0.1% EcoSystem, 120-277V
- EL96 = eldoLED, 24V, 0.1% 0-10V Dimming
- DALI = eldoLED DALI (DT6), 0.1% dimming (120-277V)

### Lens

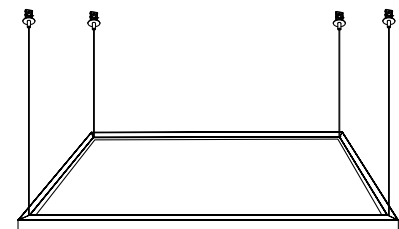
- OD = Satin opal diffuser (standard)
- SD = Satin clear diffuser
- MPL = Micro-prismatic lens

### Finish

- W = White, 15% gloss, RAL 9010 (standard)
- B = Black, 15% gloss, RAL 9005
- S = Silver, 15% gloss, RAL 9006
- F = Custom finished trim, specify RAL

### Options

- AWNRF = Lutron Athena Wireless Node RF (specify with D010, EL96 or DALI)
- BT = Wireless CAS - Casambi (specify with D010, EL96 or DALI)
- 5C = 5" canopy (use with 4" Jbox)
- DC = Dual circuit
- EM = Emergency (remote)



Suspension (4 minimum)

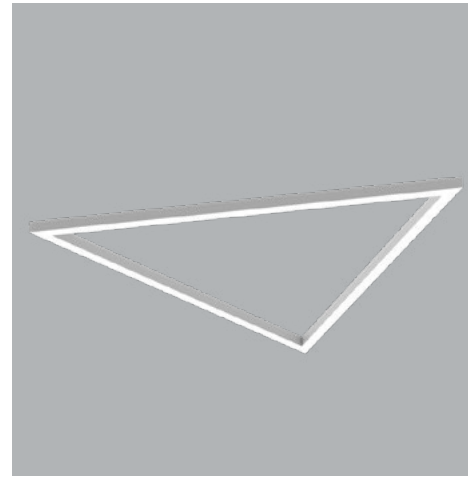
Whitegoods reserves the right to change any information without prior notice.

### Notes

- Wattage is shown for LED boards only, system wattage varies depending on driver selected.
- When specifying 20LDI please specify CRI / CCT and Driver for Direct and Indirect if different CRI / CCT / Driver is needed, i.e. 930-M-OD-D010-930-M-SD-D010. Refer to specsheet for delivered lumen data for all product configurations.
- Remote power supply required. See power supply page for details.

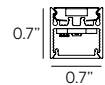
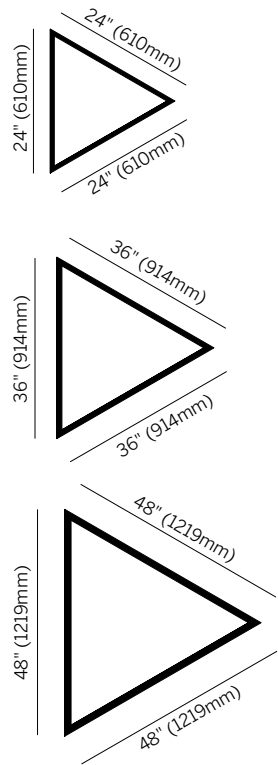


## 20 Linear Surface Frame Triangle

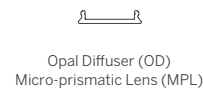


Miniature surface mounted triangle for general, accent and decorative lighting.

<b>Housing</b>	Precision extruded aluminum for true dimensions and tolerances Standard and tailored lengths including corner configurations Finishes: white, black, silver and custom
<b>Integration</b>	Suspension from any surface
<b>Distribution</b>	Satin opal lens for wide angle, general illumination standard
<b>LED</b>	Constant Voltage, 90+ CRI, 3 Steps MacAdam, 3W - 6W per foot L70 lifetime (TM21 Projected 85C) Static White (2700K-4000K) = 60,000 hours
<b>Lens</b>	OD - Opal Diffuser provides even, continuous line of light and general illumination MPL - Micro-prismatic lens provides lower brightness, general illumination
<b>Driver</b>	Remote driver Compatible with quality constant voltage drivers
<b>Connectivity</b>	Lutron Athena Wireless Node RF Casambi BlueTooth
<b>Weight</b>	0.5lbs per foot
<b>Operating Temp</b>	Suitable for operation in maximum ambient temperature of 35C (95F)
<b>Warranty</b>	5-year Limited (see complete company warranty information)
<b>Certifications</b>	ETL and ETL-C for dry and damp location, CE
<b>Voltages</b>	24V Fixture / 120-277VAC Driver (remote)



### Lenses/Accessories



Opal Diffuser (OD)  
Micro-prismatic Lens (MPL)

### Fixation



Screw clip (SC)

T-bar grid clip  
(GT9 / GT15)

technical  
information

## 20 Linear Surface Frame Triangle

Model	Fixation	Pattern	Length	Power <sup>2</sup>	CRI/ CCT <sup>3</sup>	Driver <sup>2</sup>	Lens	Finish	Cable	Option
WG-20LD-FR	SC GT9 <sup>1</sup> GT15 <sup>1</sup>	T	24 x 24 x 24 36 x 36 x 36 48 x 48 x 48 A x A x A	L M	927 930 935 940	X S D010 DPH L3DAE L3DOE EL96 DALI	OD (std) MPL	W (std) B S F	C4 (std) C10 C20 C30	AWNRF BT EM

### Model

- WG-20LD-FR = 20 Linear Surface Frame Triangle

### Fixation

- SC = Screw clip
- GT9 = 9/16" T-bar grid clip<sup>1</sup>
- GT15 = 15/16" T-bar grid clip<sup>1</sup>

### Pattern

- T = 3-sided equilateral triangle

### Length

- 24 x 24 x 24 = 24" x 24" x 24"
- 36 x 36 x 36 = 36" x 36" x 36"
- 48 x 48 x 48 = 48" x 48" x 48"
- A x A x A = specify inches to the nearest 0.25" (i.e. 72.25")

### Power<sup>2</sup>

- L = 3W/ft low power (24V)  
24 x 24 x 24, 18W  
36 x 36 x 36, 27W  
48 x 48 x 48, 36W
- M = 6W/ft mid power (24V)  
24 x 24 x 24, 36W  
36 x 36 x 36, 54W  
48 x 48 x 48, 72W

### CRI/CCT (90+ CRI)

- 927 = 2700K
- 930 = 3000K
- 935 = 3500K
- 940 = 4000K

### Driver (remote)<sup>2</sup>

- X = No driver, ordered separately
- S = Standard, non-dim driver 120-277V
- D010 = eldoLED, 10%, 0-10V dimming, 120-277V
- DPH = Phase Dimming, 1% dimming, 120V only
- L3DAE = Lutron Hi-lume 1% EcoSystem, 120-277V
- L3DOE = Lutron Hi-lume Premier 0.1% EcoSystem, 120-277V
- EL96 = eldoLED, 24V, 0.1% 0-10V Dimming
- DALI = eldoLED DALI (DT6), 0.1% dimming (120-277V)

### Lens

- OD = Satin opal diffuser (standard)
- MPL = Micro-prismatic lens

### Cable

- C4 = 4' tray cable (plenum rated) (standard)
- C10 = 10' tray cable (plenum rated)
- C20 = 20' tray cable (plenum rated)
- C30 = 30' tray cable (plenum rated)

### Options

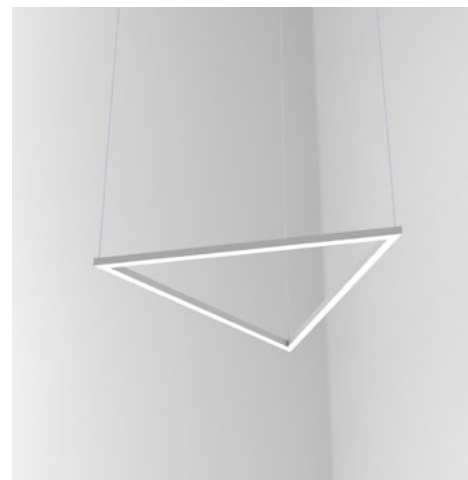
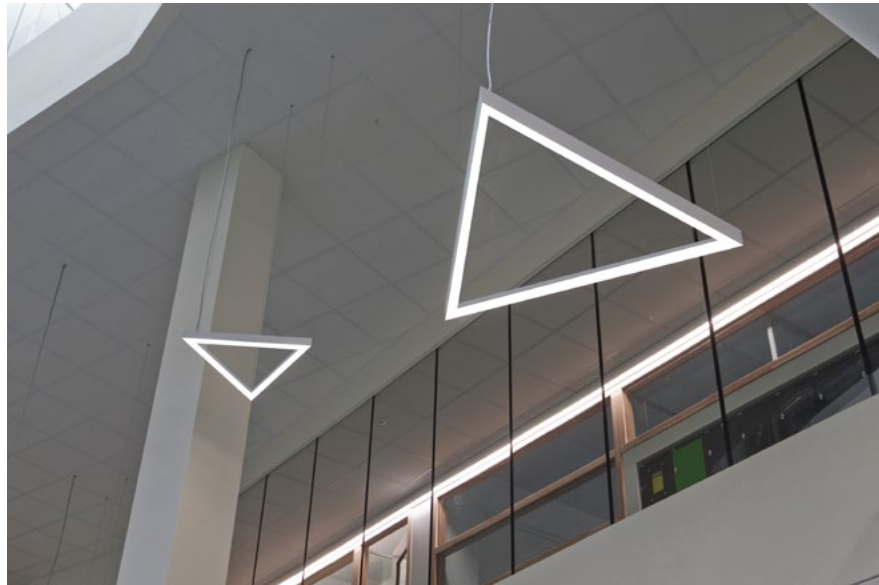
- AWNRF = Lutron Athena Wireless Node RF (specify with D010, EL96 or DALI)
- BT = Wireless CAS - Casambi (specify with D010, EL96 or DALI)
- EM = Emergency LED driver (remote)

Whitegoods reserves the right to change any information without prior notice.

### Notes

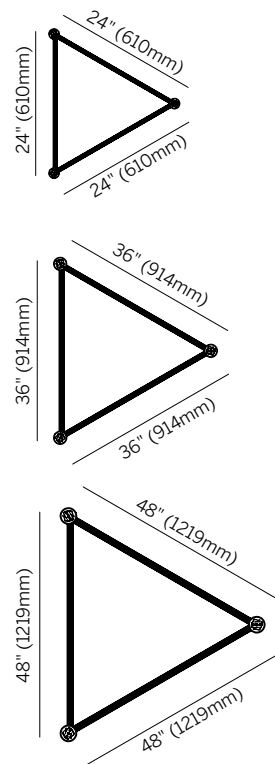
- Wattage is shown for LED boards only, system wattage varies depending on driver selected.
- Remote power supply required. See power supply page for details.

## 20 Linear Direct/Indirect Suspended Frame Triangle

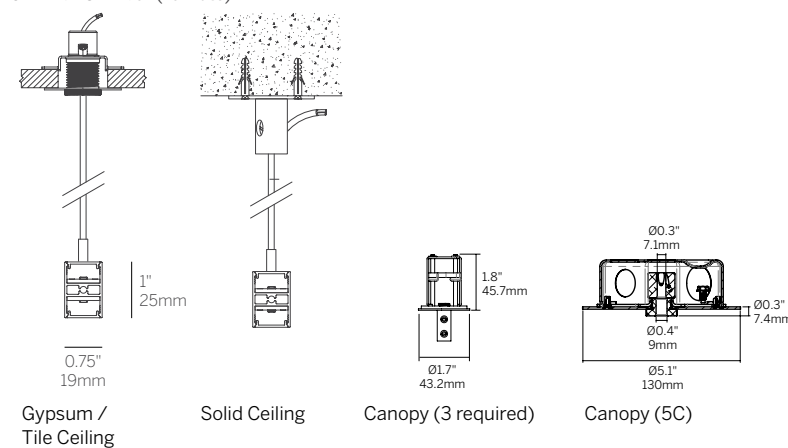


Miniature suspended Direct, Indirect or Direct / Indirect triangle for general, accent and decorative lighting.

<b>Housing</b>	Precision extruded aluminum for true dimensions and tolerances Standard and tailored lengths including corner configurations Finishes: white, black, silver and custom
<b>Integration</b>	Suspension from any surface
<b>Distribution</b>	Satin opal lens for wide angle, general illumination standard
<b>LED</b>	Constant Voltage, 90+ CRI, 3 Steps MacAdam, 3W - 6W per foot L70 lifetime (TM21 Projected 85C) Static White (2700K-4000K) = 60,000 hours
<b>Lens</b>	OD - Opal Diffuser provides even, continuous line of light and general illumination SD - Satin Clear Diffuser provides high efficiency soft edge beam, general illumination MPL - Micro-prismatic lens provides lower brightness, general illumination
<b>Driver</b>	Remote driver Compatible with quality constant voltage drivers
<b>Connectivity</b>	Lutron Athena Wireless Node RF Casambi BlueTooth
<b>Weight</b>	0.5lbs per foot
<b>Operating Temp</b>	Suitable for operation in maximum ambient temperature of 35C (95F)
<b>Warranty</b>	5-year Limited (see complete company warranty information)
<b>Certifications</b>	ETL and ETL-C for dry and damp location, CE
<b>Voltages</b>	24V Fixture / 120-277VAC Driver (remote)



### Lenses/Accessories



Opal Diffuser (OD)  
Satin Diffuser (SD)  
Micro-prismatic Lens (MPL)

Gypsum /  
Tile Ceiling

Solid Ceiling

Canopy (3 required)

Canopy (5C)

technical  
information

## 20 Linear Direct/Indirect Suspended Frame Triangle

Model	Fixation	Pattern	Length	Direct				Indirect				Finish	Options
				Power <sup>1</sup>	CRI/ CCT <sup>2</sup>	Driver <sup>3</sup>	Lens	Power <sup>1</sup>	CRI/ CCT <sup>2</sup>	Driver <sup>3</sup>	Lens		
WG-20LDI-FR direct / indirect	S48 (std) S96	T	24 x 24 x 24 36 x 36 x 36 48 x 48 x 48 A x A x A	L M	927 930 935 940	X S D010 DPH L3DAE L3DOE EL96 DALI	OD (std) MPL	L M	927 930 935 940	X S D010 DPH L3DAE L3DOE EL96 DALI	OD (std) SD	W (std) B S F	AWNRF BT 5C DC EM

### Model

- WG-20LDI-FR = 20 Linear Direct/Indirect Suspended Frame Triangle
- WG-20LD-FR = 20 Linear Direct Suspended Frame Triangle
- WG-20LI-FR = 20 Linear Indirect Suspended Frame Triangle

### Fixation

- S48 = 48" suspension cable standard, field-cuttable (standard)
- S96 = 96" suspension cable, field-cuttable

### Pattern

- T = 3-sided equilateral triangle

### Length

- 24 x 24 x 24 = 24" x 24" x 24"
- 36 x 36 x 36 = 36" x 36" x 36"
- 48 x 48 x 48 = 48" x 48" x 48"
- A x A x A = specify inches to the nearest 0.25" (i.e. 72.25")

### Power<sup>1</sup>

- L = 3W/ft low power (24V)  
24 x 24 x 24, 18W  
36 x 36 x 36, 27W  
48 x 48 x 48, 36W
- M = 6W/ft mid power (24V)  
24 x 24 x 24, 36W  
36 x 36 x 36, 54W  
48 x 48 x 48, 72W

### CRI/CCT (90+ CRI)<sup>2</sup>

- 927 = 2700K
- 930 = 3000K
- 935 = 3500K
- 940 = 4000K

### Driver (remote)<sup>3</sup>

- X = No driver, ordered separately
- S = Standard, non-dim driver 120-277V
- D010 = eldoLED, 10%, 0-10V dimming, 120-277V
- DPH = Phase Dimming, 1% dimming, 120V only
- L3DAE = Lutron Hi-lume 1% EcoSystem, 120-277V
- L3DOE = Lutron Hi-lume Premier 0.1% EcoSystem, 120-277V
- EL96 = eldoLED, 24V, 0.1% 0-10V Dimming
- DALI = eldoLED DALI (DT6), 0.1% dimming (120-277V)

### Lens

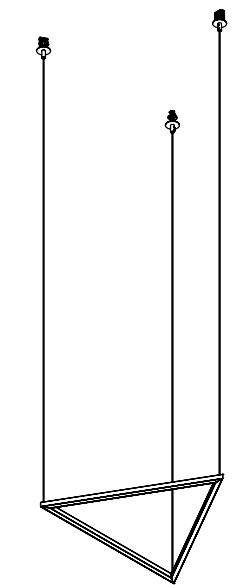
- OD = Satin opal diffuser (standard)
- SD = Satin clear diffuser
- MPL = Micro-prismatic lens

### Finish

- W = White, 15% gloss, RAL 9010 (standard)
- B = Black, 15% gloss, RAL 9005
- S = Silver, 15% gloss, RAL 9006
- F = Custom finished trim, specify RAL

### Options

- AWNRF = Lutron Athena Wireless Node RF (specify with D010, EL96 or DALI)
- BT = Wireless CAS - Casambi (specify with D010, EL96 or DALI)
- 5C = 5" canopy (use with 4" Jbox)
- DC = Dual circuit
- EM = Emergency (remote)



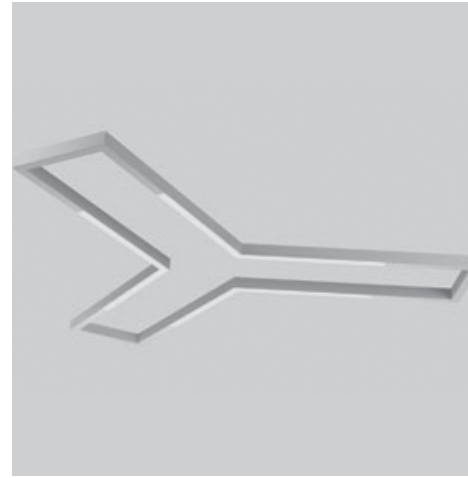
Suspension (3 required)

Whitegoods reserves the right to change any information without prior notice.

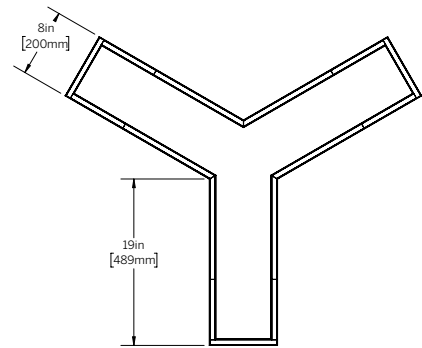
### Notes

- Wattage is shown for LED boards only, system wattage varies depending on driver selected.
- When specifying 20LDI please specify CRI / CCT and Driver for Direct and Indirect if different CRI / CCT / Driver is needed, i.e. 930-M-OD-D010-930-M-SD-D010. Refer to specsheet for delivered lumen data for all product configurations.
- Remote power supply required. See power supply page for details.

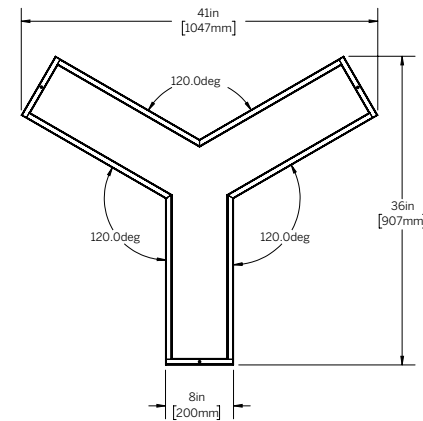
## 20 Linear Direct/Indirect Suspended Ypsilon



BOTTOM VIEW



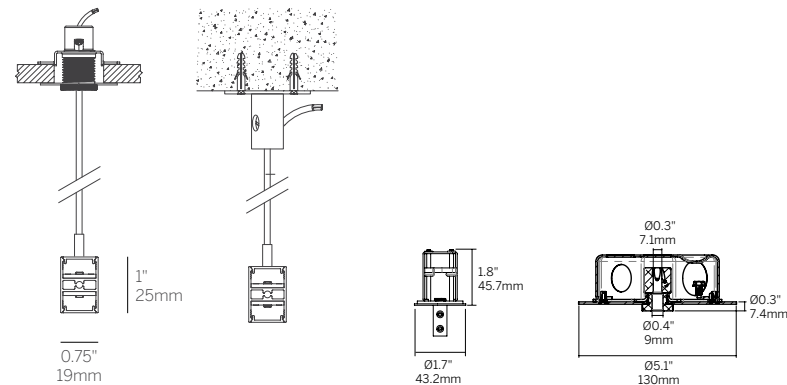
TOP VIEW



Ypsilon shaped miniature suspended Direct, Indirect or Direct / Indirect Ypsilon for general, accent and decorative lighting.

<b>Housing</b>	Precision extruded aluminum for true dimensions and tolerances Standard and tailored lengths including corner configurations Finishes: white, black, silver and custom
<b>Integration</b>	Suspension from any surface
<b>Distribution</b>	Multiple lenses and louvers for general, accent, decorative and grazing application
<b>LED</b>	Constant Voltage, 90+ CRI, 3 Steps MacAdam, 3W - 6W per foot L70 lifetime (TM21 Projected 85C) Static White (2700K-4000K) = 60,000 hours
<b>Lens</b>	OD - Opal Diffuser provides even, continuous line of light and general illumination SD - Satin Clear Diffuser provides high efficiency soft edge beam, general illumination MPL - Micro-prismatic lens provides lower brightness, general illumination
<b>Driver</b>	Remote driver Compatible with quality constant voltage drivers
<b>Connectivity</b>	Lutron Athena Wireless Node RF Casambi Bluetooth
<b>Weight</b>	0.5lbs per foot
<b>Operating Temp</b>	Suitable for operation in maximum ambient temperature of 35C (95F)
<b>Warranty</b>	5-year Limited (see complete company warranty information)
<b>Certifications</b>	ETL and ETL-C for dry and damp location, CE
<b>Voltages</b>	24V Fixture / 120-277VAC Driver (remote)

### Lenses/Accessories



Opal Diffuser (OD)  
Satin Diffuser (SD)  
Micro-prismatic Lens (MPL)

Gypsum /  
Tile Ceiling

Solid Ceiling

Canopy (3 required)

Canopy (5C)

technical  
information

## 20 Linear Direct/Indirect Suspended Ypsilon

Model	Fixation	Length	Direct					Indirect					Finish	Options
			Lighting Pattern	Power <sup>1</sup>	CRI/CCT <sup>2</sup>	Driver <sup>3</sup>	Lens	Lighting Pattern	Power <sup>1</sup>	CRI/CCT <sup>2</sup>	Driver <sup>3</sup>	Lens		
WG-20LDI-Y	S48 (std) S96	41 x 36	D1	L	927	X	OD (std)	D1	L	927	X	OD (std)	W (std) B S F	AWNRF BT 5C DC EM
			D2	M	930	S	MPL	D2	M	930	S	SD		
			D3		935	D010		D3		935	D010			
			D4		940	DPH L3DAE L3DOE EL96 DALI		D4		940	DPH L3DAE L3DOE EL96 DALI			

### Model

- WG-20LDI-Y = 20 Linear Direct/Indirect Suspended Ypsilon

### Fixation

- S48 = 48" suspension cable standard, field-cuttable (standard)
- S96 = 96" suspension cable, field-cuttable

### Length

- 41 x 36 = 41" x 36" 9 sided Ypsilon

### Lighting Pattern

- D1 = 3 x 24" Illuminated sections
- D2 = 144" fully illuminated
- D3 = Non-Illuminated
- D4 = Custom Illumination, specify sections

### Power<sup>1</sup>

- L = 3W/ft low power (24V)  
D1, 18W  
D2, 36W
- M = 6W/ft mid power (24V)  
D1, 36W  
D2, 72W

### CRI/CCT (90+ CRI)<sup>2</sup>

- 927 = 2700K
- 930 = 3000K
- 935 = 3500K
- 940 = 4000K

### Driver (remote)<sup>3</sup>

- X = No driver, ordered separately
- S = Standard, non-dim driver 120-277V
- D010 = eldoLED, 10%, 0-10V dimming, 120-277V
- DPH = Phase Dimming, 1% dimming, 120V only
- L3DAE = Lutron Hi-lume 1% EcoSystem, 120-277V
- L3DOE = Lutron Hi-lume Premier 0.1% EcoSystem, 120-277V
- EL96 = eldoLED, 24V, 0.1% 0-10V Dimming
- DALI = eldoLED DALI (DT6), 0.1% dimming (120-277V)

### Lens

- OD = Satin opal diffuser (standard)
- SD = Satin clear diffuser
- MPL = Micro-prismatic lens

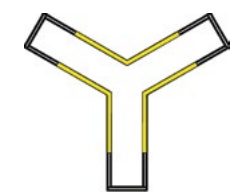
### Finish

- W = White, 15% gloss, RAL 9010 (standard)
- B = Black, 15% gloss, RAL 9005
- S = Silver, 15% gloss, RAL 9006
- F = Custom finished trim, specify RAL

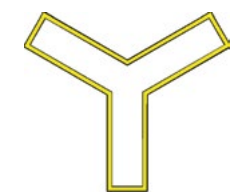
### Options

- AWNRF = Lutron Athena Wireless Node RF (specify with D010, EL96 or DALI)
- BT = Wireless CAS - Casambi (specify with D010, EL96 or DALI)
- 5C = 5" canopy (use with 4" Jbox)
- DC = Dual circuit
- EM = Emergency (remote)

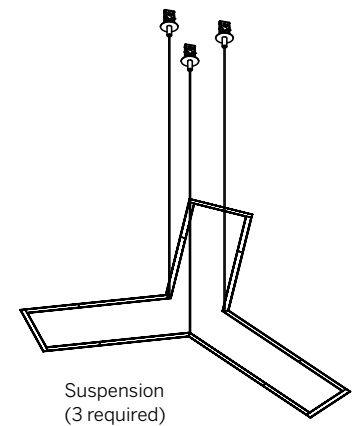
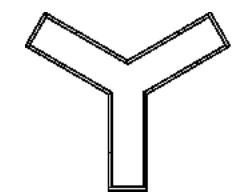
D1 - 3 x 24" illuminated section



D2 - 144" fully illuminated



D3 - non-illuminated section



Suspension  
(3 required)

Whitegoods reserves the right to change any information without prior notice.

### Notes

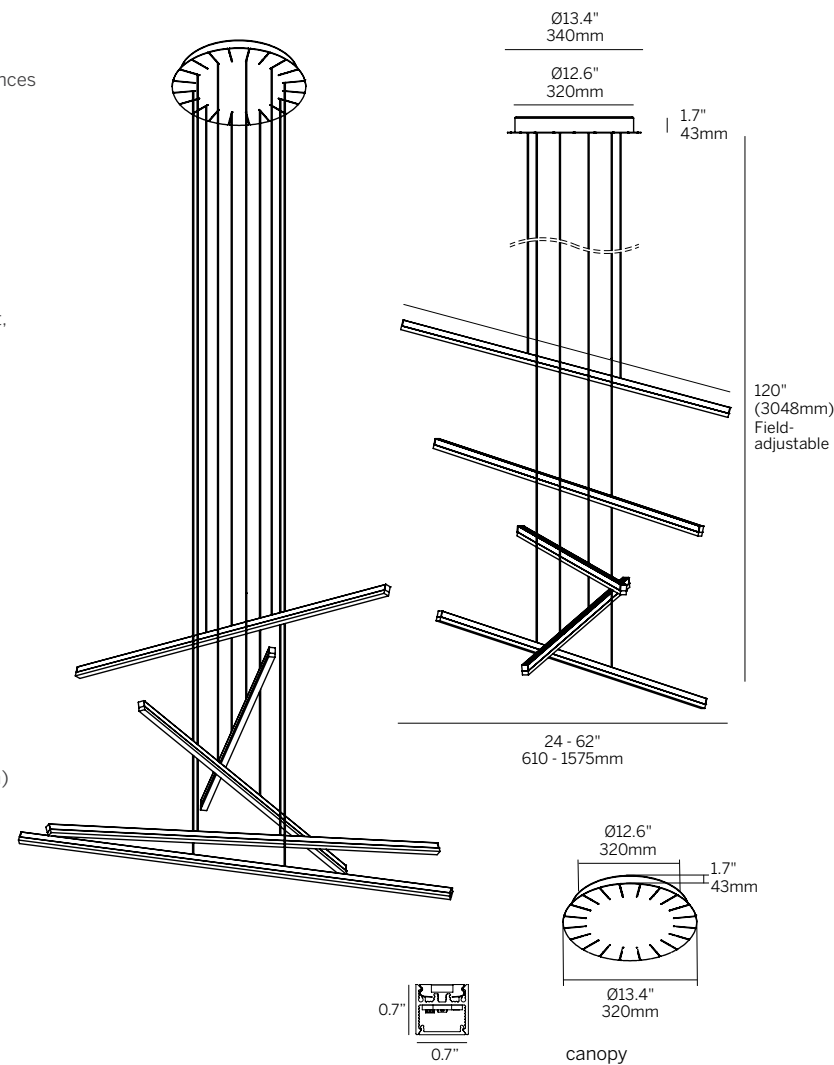
- Wattage is shown for LED boards only, system wattage varies depending on driver selected.
- When specifying 20LDI please specify CRI / CCT and Driver for Direct and Indirect if different CRI / CCT / Driver is needed, i.e. 930-M-OD-D010-930-M-SD-D010. Refer to specsheet for delivered lumen data for all product configurations.
- Remote power supply required. See power supply page for details.

## 20 Linear Multi - Suspended



### Multi-suspended for general, accent and decorative lighting.

<b>Housing</b>	Precision extruded aluminum for true dimensions and tolerances Lengths from 24"-72" single luminaires Field adjustable suspensions cables All suspensions cables clear insulated Surface mounted canopy mounts over 4" junction box Finishes: white, black, silver and custom
<b>Integration</b>	Suspension from any surface
<b>Lens</b>	Satin Opal or Micro-prismatic lens
<b>LED</b>	Static White, 2700K - 4000K, 1.5 W - 6W/ft, constant current, >90 CRI, 3-Step MacAdam L70 (TM21 Projected 85°C) Static White = 50,000 hours
<b>Lens</b>	OD - Opal Diffuser provides even, continuous line of light and general illumination MPL - Micro-prismatic lens provides lower brightness, general illumination
<b>Driver</b>	Remote driver Compatible with quality constant current drivers
<b>Connectivity</b>	Lutron Athena Wireless Node RF Casambi Bluetooth
<b>Weight</b>	Canopy weighs 10 pounds; provide adequate blocking Fixtures weigh 0.5lbs per foot
<b>Operating Temp</b>	Suitable for operation in maximum ambient temperature of 35C (95F)
<b>Warranty</b>	5-year Limited (see complete company warranty information)
<b>Certifications</b>	ETL and ETL-C for dry location, CE
<b>Voltages</b>	120-277VAC



### Lenses/Accessories



Opal Diffuser (OD)  
Micro-prismatic Lens (MPL)

technical  
information

## 20 Linear Multi - Suspended

Model	Number of Fixtures	Fixation	Pattern	Length	Power <sup>1</sup>	CRI/CCT <sup>2</sup>	Driver <sup>3</sup>	Lens	Finish	Options
WG-20LDL-MS	3 5 7	S120 (std) SC	S	24 36 42 48 60	P0 P1 P2	927 930 935 940	E1 D2DT6	OD (std) MPL	W (std) B S F	AWNRF BT EM

### Model

- WG-20LDL-MS = 20 Linear Multi - Suspended

### Number of Fixtures

- 3 = 3 fixtures
- 5 = 5 fixtures
- 7 = 7 fixtures

### Fixation (field adjustable inside the canopy for suspension length and angles)

- S120 = 120" suspension cable standard, field-cutttable (standard)
- SC = Custom suspension cable, specify inches to the nearest 0.25" (i.e. 72.25")

### Pattern

- S = Straight run

### Length

- 24 = 24"
- 36 = 36"
- 42 = 42"
- 48 = 48"
- 60 = 60"

### Power<sup>1</sup>

- P0 = 1.5 W/ft
- P1 = 3 W/ft
- P2 = 6 W/ft

### CRI/CCT (90+ CRI)<sup>2</sup>

- 927 = 2700K
- 930 = 3000K
- 935 = 3500K
- 940 = 4000K

### Driver (integral)<sup>3</sup>

- E1 = eldoLED 0.1% dimming, 0-10V (120-277V)
- D2DT6 = DALI-2 (DT6), 0.1% dimming (120-277V)

### Lens

- OD = Satin opal diffuser (standard)
- MPL = Micro-prismatic lens

### Finish

- W = White, 15% gloss, RAL 9010 (standard)
- B = Black, 15% gloss, RAL 9005
- S = Silver, 15% gloss, RAL 9006
- F = Custom finished trim, specify RAL

### Options

- AWNRF = Lutron Athena Wireless Node RF (specify with E1 or D2DT6)
- BT = Wireless CAS - Casambi (specify with E1 or D2DT6)
- EM = Emergency (remote)

Whitegoods reserves the right to change any information without prior notice.

### Notes

- Wattage is shown for LED boards only, system wattage varies depending on driver selected. 7 fixtures Low power only.
- When specifying 20LDI please specify CRI / CCT and Driver for Direct and Indirect if different CRI / CCT / Driver is needed, i.e. 930-M-OD-D010-930-M-SD-D010. Refer to specsheet for delivered lumen data for all product configurations.
- Remote power supply required. See power supply page for details.



The application of light to the surfaces around us is a critical factor in our perception of any space.

When proper consideration is given to the architecture, function and the desired atmosphere, lighting can become a truly integrated part of the overall environment being created, often unseen although defining and enhancing the space.