

Installation Instructions

Luminaires must be installed by a qualified electrician. Check with local and national codes for proper installation.



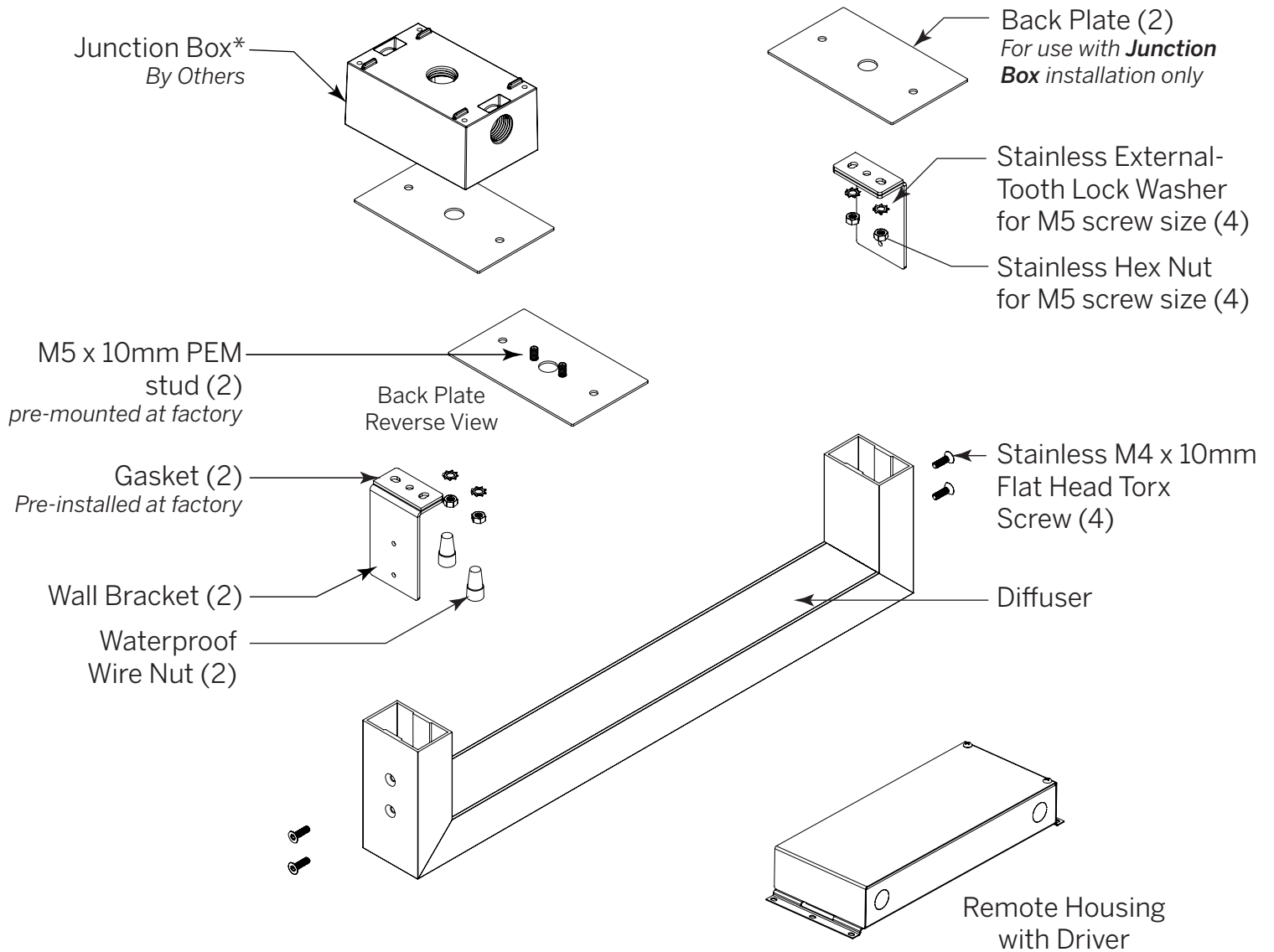
To prevent electrical shock disconnect electrical supply before installation or servicing.

Never connect a live fixture!!!

Contractor is responsible for adequately reinforcing walls and/or ceilings to support fixture weight. Provide blocking when necessary.

Step 1 - Open the Box

Unpack luminaire unit. Luminaires for Indoor Installation with a Junction Box are shipped with Backplates. Remote drivers and housings are supplied by Inter-lux.



*Inter-lux recommends using McMaster #7219K22 Weather Proof Box or equal to match dimensions of Back Plate

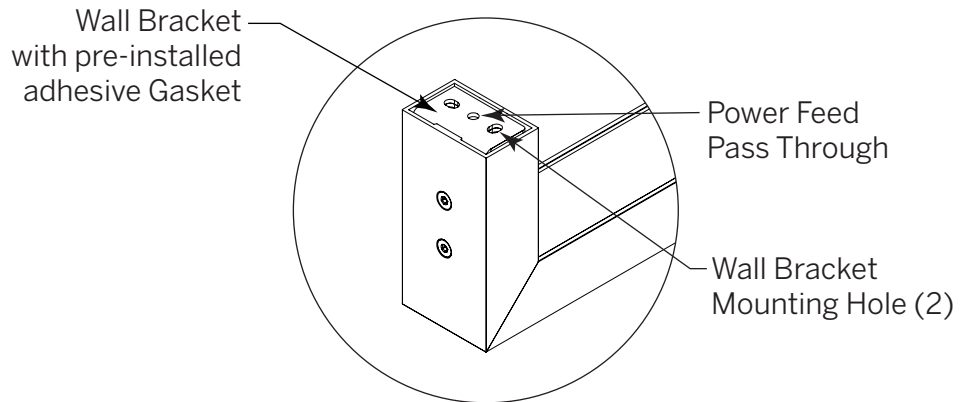
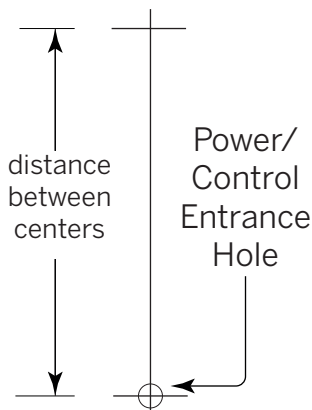


Installation Instructions

Incoming power feed (and control) cables may enter on either side of fixture. Determine the appropriate side for your installation and apply directions accordingly.

Step 2 - Surface Prep - Outdoor Installation

- a** Measure distance between centers of Surface Brackets. Locate and draw centerline of fixture on surface. Ensure that centerline is straight, level, and/or plumb.
- b** Determine at which end power (and control) cables will enter. Drill an appropriate sized hole at that location.



- c** Pull Power (and Control) wires through hole.

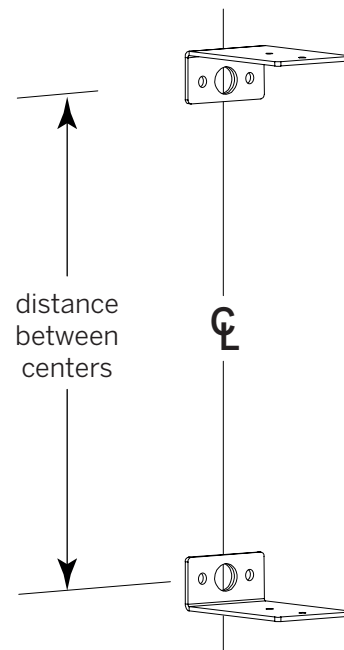
To continue installation instructions for use **with** a Junction Box, skip to **Step 4**

Step 3 - Mounting and Wiring - Outdoor Installation *without* Junction Box

- a** Based on Distance between Centers, use screws and/or anchors (supplied by others) to fasten Surface Mounts to surface.

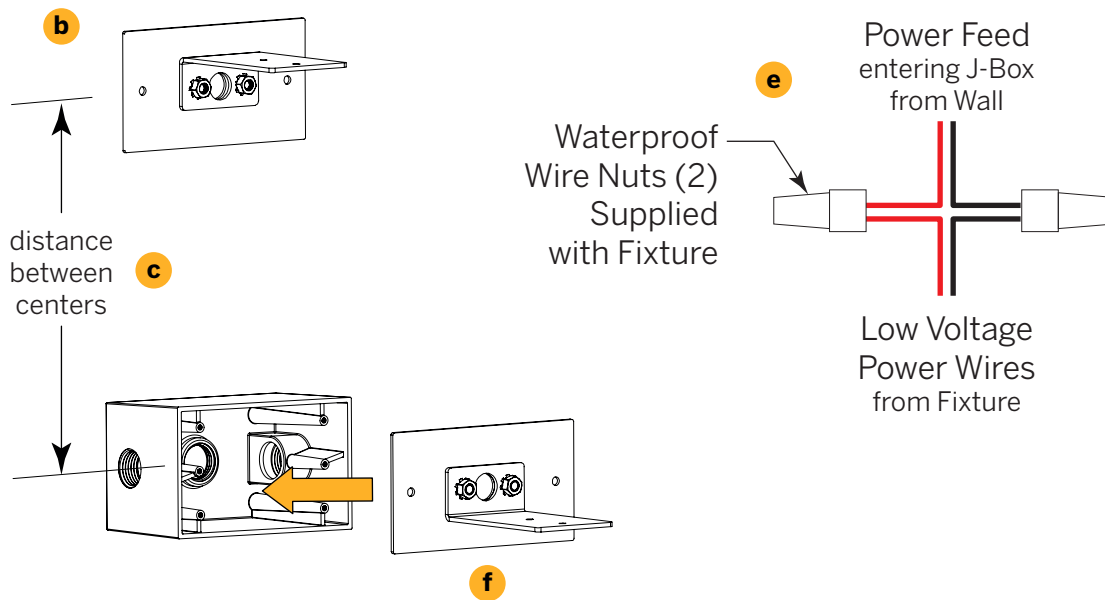
To continue, skip to **Step 5**.

NOTE: Orientation of Surface Brackets may be different from illustration due to type of installation (e.g., ceiling or mullion mount).



Step 4 - Mounting & Wiring - *Outdoor Installation* with Weatherproof Junction Box* (supplied by others)

- a** Mount J-Box flush with wall on centerline of fixture, as shown above
- b** Mount Surface Bracket (with pre-installed Gasket) onto Back Plate for each end of fixture with supplied screws. Use a T25 screwdriver to tighten.
- c** Mount one Back Plate/Surface Bracket Assembly to J-Box. Use distance between centers (and/or fixture) to locate position of second assembly.
- d** Remove Plate/Bracket Assembly from J-Box to make electrical connections.
- e** Insert Low Voltage Power Wires from Fixture through Slide Plate/Bracket Assembly. Inside J-Box, connect power (and control) feed to fixture using supplied Waterproof Wire Nuts.
- f** Replace Plate/Bracket Assembly.



NOTE: Junction Box may be located on either end of fixture

NOTE: Orientation of Surface Bracket may be different from illustration due to type of installation (e.g., ceiling or mullion).

*Inter-lux recommends using McMaster #7219K22 Weather Proof Box or equal to match dimensions of Back Plate

Need Help?

Installation Instructions

Step 5 - Complete Mounting

- a** Slide fixture onto both brackets at same time to prevent torquing of brackets or fixture. Longer fixtures may require assistance.
- b** Locate supplied Flat Head Torx screws (4). Insert screws (2 per side) into holes in fixture and screw into corresponding holes in brackets. Use a T20 screwdriver to tighten. Repeat for opposite end.

