

# ProTools Cylinders



whitegoods





## whitegoods

Whitegoods has developed a complete range of Downlights which utilize the form factor of LED to reduce even further their visual impact, and of course they all hold true to our constant principles.

### Our Philosophy

- Reduction of detail
- Seamless architectural integration
- Logical, modular systems and families of products
- Ease of specification, installation and maintenance



# ProTools Cylinders

## A complete Family of Cylinders

- A complete family of cylinder downlights for surface, suspended and wall mounted applications.
- 2.4", 4" and 5.5" cylinders with wide range of beam angles, lens options and wall wash available to fit a multitude of applications.
- High lumen output and excellent color rendition for all applications.
- UGR < 19 for some configurations to comply with WELL requirements.
- WL Wet Location (IP65) optional on some models.
- 92+ CRI, 2 step MacAdam Ellipse LEDs standard for Static White and Warm Dim (1800K - 3000K). 95+ CRI optional or Static White.
- Long life L70 55,000 hrs based on LM-80 & TM-21 applicable test data.
- Flicker-free constant current drivers.
- 0-10V, Phase, Lutron, DALI and DMX dimming options available.
- 5 Year warranty.



2.4" ProTools Downlight Round Cylinder 14



2.4" ProTools Downlight Round Cylinder Tall 16



2.4" ProTools Downlight Round Cylinder Wall Mount 18



4" ProTools Downlight Round Cylinder 20



4" ProTools Wall Wash Round Cylinder 22



4" ProTools Downlight Round Cylinder Wall Mount 24



5.5" ProTools Downlight Round Cylinder 26



4" ProTools Downlight Square Dark Cylinder 28



4" ProTools Wall Wash Square Cylinder 30

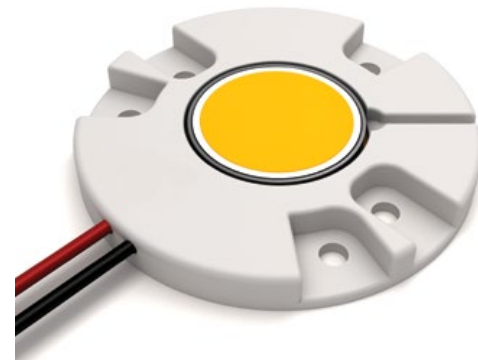




# LED Technology

ProTools Downlights are designed with a flexible LED platform so that the light engine can be easily installed, field exchanged and updated as new technology evolves. ProTools Downlights utilize world-class COB LED devices that deliver consistent performance and the highest quality of light available in a configuration that will work effectively with today's optical systems.

- Output range 85 – 150 delivered lumens per watt.
- CRI >92+ standard, >95+ available.
- 2 step MacAdam binning.
- Paired with highest quality drivers that deliver flicker-free, full-range dimming.
- Four standard color temperatures from 2700K-4000K.
- Warm-Dim available to emulate incandescent while dimming.
- Compatible with all common dimmer and control standards such as 0-10V, 3-wire, forward-phase with neutral, Lutron and DALI.
- High efficiency design delivers a range of excellent performance characteristics, with output available exceeding 140 lumens per watt.
- 5-year warranty.



Powered by **I B L**

[index](#)







## Warm Dim

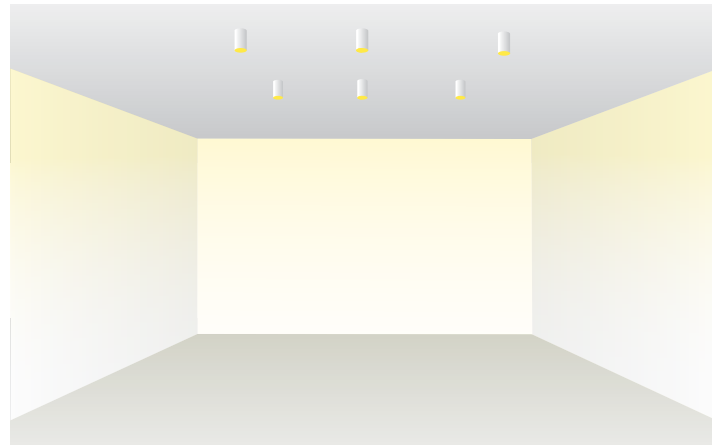
Whitegoods Warm Dim lighting provides LED dim-to-warm technology virtually indistinguishable from an incandescent light source. Designed to precisely mimic the black body curve of a standard 100W A19 lamp by gradually transitioning from 1800K to 3000K.

Color Temperature	Description	Typical Usage
3000K	Neutral Warm	Office, Residential
2700K	Warm: Halogen Incandescent	Residential, Hotel
1800K	Very Warm Incandescent	Residential



# Downlight Applications

## Downlight



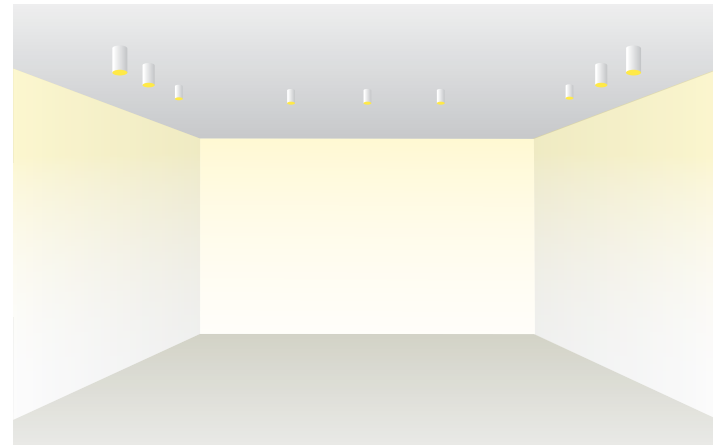
Perhaps the most common lighting solution utilized for general area lighting, arranging a group of lights in a grid to give even illumination to the surface below.

Of course, the popularity of a technique is not always a sign of best practice, and in this case it typically has more to do with economy and ease of implementation.

However, when applied to a space with some consideration it can be an effective technique. One thing to consider for this type of solution is "how much light will fall on the walls?". A space can have a lot of light being delivered into it, but if the walls are not sufficiently illuminated, there is a good chance that the space will feel gloomy, even though there is plenty of light falling on horizontal surfaces like desks or the floor.

Fortunately, Whitegoods ProTools Cylinders offer a high output, low glare downlighting solution, which can help to deal with this common issue.

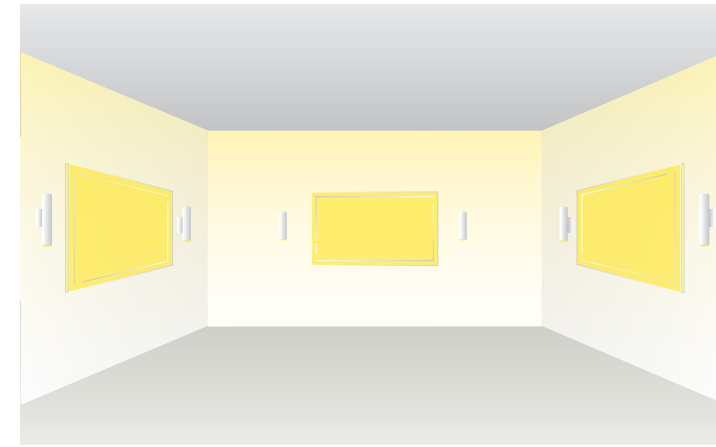
## Washlight



The aim of wall washing, or in fact washing any surface with light (wall, ceiling or floor), is to create an even 'wash' of light across the surface. The wall wash is a great way to introduce light into a room as the brightness of the vertical surfaces around us play a crucial role in our perception of a space. With point sources, the fixture will need to emit a wide, even beam of light which is directed towards the wall, to create the effect.

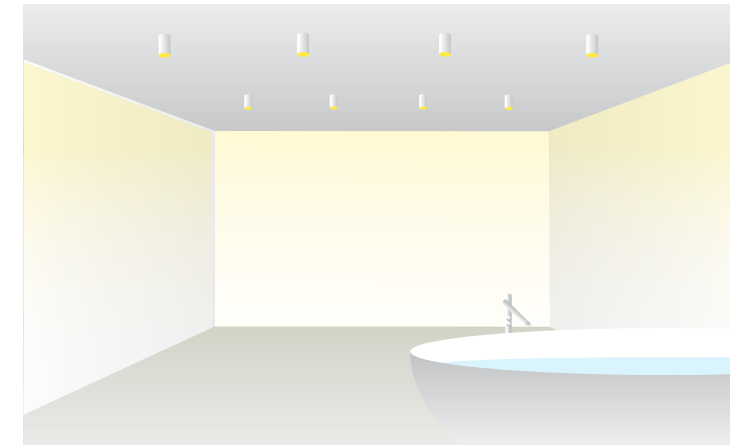
Washlights need to be correctly positioned, both in terms of distance from the wall, and their relative distance to one another.

## Wall Mount



Of course, although considering whole surfaces is a highly effective way to start thinking about light within your project, it is equally possible to think in terms of specific pieces of architecture, art, sculpture, ornamentation or furniture, and treat these as focal objects, further drawing the viewer's attention by placing wall mounted cylinders at either side to draw attention to the feature while providing downlighting to illuminate the adjacent space.

## Wet Location



Whitegoods ProTools Cylinders are available in wet location for use outdoors as well as in showers and other applications where they may be exposed to moisture. Specialized silicon seal rings protect against moisture ingress, and are impervious to degradation caused by UV. See the specific product data sheet for availability on the specific model.





**Friends of  
the Earth**



## 2.4" ProTools Downlight Round Cylinder

### Small Aperture Cylinder

- Part of a complete family of cylinder downlights for surface or suspended applications.
- 2.4" round ceiling mounted cylinder downlight with wide range of beam angles and lens options available to fit a multitude of applications.
- High lumen output and excellent color rendition for all applications. Efficacy up to 140 lumens per watt (delivered).
- UGR < 19 for some configurations to comply with WELL requirements.
- WL Wet Location (IP65) optional.
- 92+ CRI, 2 step MacAdam Ellipse LEDs standard for Static White and Warm Dim (1800K - 3000K). 95+ CRI optional for Static White.
- Long life L70 55,000 hrs based on LM-80 & TM-21 applicable test data.
- Constant current drivers.
- 0-10V, Phase, Lutron, DALI and DMX dimming options available.
- 5 Year warranty.

**Luminaire** Die-cast aluminum for precision fit and heat dissipation  
Mounting hardware for all ceiling types; surface and suspended  
Round open aperture with minimal ceiling interruption and regressed optical chamber  
Finishes: White, Black, Silver and custom (housing and reflector)

**Mounting** SM - Surface Mount  
SC - Suspended Cable (field adjustable)  
SR - Suspended Rigid Stem  
5" dia. for mounting to 4" j-box

**LED** Constant Current, 2 Step MacAdam  
92+ CRI (Static White and Warm Dim), or 95+CRI (Static White)  
Low, Mid or High Power  
2700K, 3000K, 3500K, 4000K, Warm Dim (1800 - 3000K)

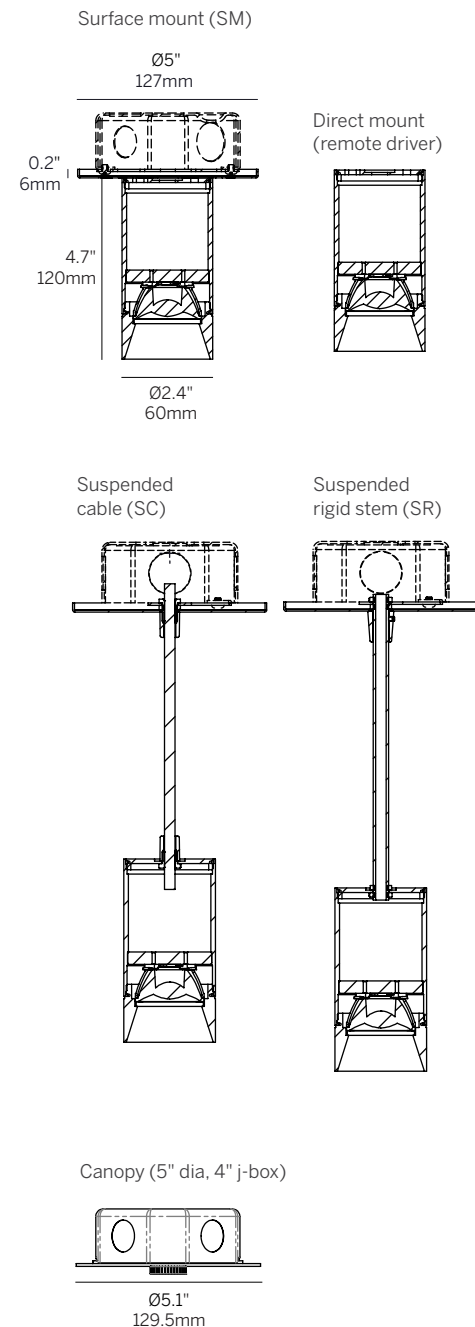
**Beam** 15°, 20°, 25°, 35°, 50°

**Lens** OA - Open Aperture  
SOL - Solite Lens  
LSL - Linear Spread Lens  
HL - Honeycomb Louver

**Driver** Remote drivers for all dimming and non-dimming applications  
0-10V, Phase, Lutron, DALI, DMX driver options

**Warranty** 5-year Limited (see complete company warranty information)

**Certifications** ETL and ETL-C for dry and damp location, WL Wet Location (IP65) optional



## 2.4" ProTools Downlight Round Cylinder

Model	Mounting	Canopy	Power <sup>2</sup>	CRI	CCT <sup>3</sup>	Driver <sup>4</sup>	Cover	Lens	Beam	Finish	Options
WG-60RPTDL	SM SC1 <sup>1</sup> SC2 <sup>1</sup> SC3 <sup>1</sup> SR1 SR2 SR3 SRX	5 X	L M H	92 95	27 30 35 40 WD	RS2 RSPH2 RPEQ0 RDALI RDMX X <sup>5</sup>	RRC	OA SOL LSL HL	15 20 25 35 50	W (std) B S F	EM WL

### Model

- WG-60RPTDL = 2.4" ProTools Downlight Round Cylinder

### Mounting

- SM = Surface mounted
- SC1 = Suspended cable 39.4" (1m)<sup>1</sup>
- SC2 = Suspended cable 78.7" (2m)<sup>1</sup>
- SC3 = Suspended cable 118.1" (3m)<sup>1</sup>
- SR1 = Suspended rigid stem 39.4" (1m)
- SR2 = Suspended rigid stem 78.7" (2m)
- SR3 = Suspended rigid stem 118.1" (3m)
- SRX = Suspended rigid stem (specify to nearest 0.25", 118.1" max.)

### Canopy

- 5 = 5" dia. for 4" j-box
- X = No Canopy (surface mount only)

### Power<sup>2</sup>

- L = Low Power, 6.3W @ 350mA
- M = Mid Power, 9W @ 250mA
- H = High Power, 12W @ 350mA

### CRI

- 92 = 92 CRI
- 95 = 95 CRI (n/a for WD)

### CCT<sup>3</sup>

- 27 = 2700K
- 30 = 3000K
- 35 = 3500K
- 40 = 4000K
- WD = Warm Dimming 1800 - 3000K

### Remote Driver<sup>4</sup>

- RS2 = standard eldoLED non-dim or 1% 0-10V dimming, 120-277V, 22W
- RSPH2 = standard phase (2-wire) 1% dimming, 120V only, 20W (M / H power only)
- RPEQ0 = Lutron Hi-Lume Premier 0.1% EcoSystem, 120-277V, 20W
- RDALI = eldoLED DALI-2 1% dimming, 120-277V, 22W
- RDMX = eldoLED DMX 0.1% dimming, 120-277V, 30W
- X = No Driver<sup>5</sup>

### Cover

- RRC = Round Recessed Cone

### Lens (one accessory per fixture)

- OA = Open Aperture
- SOL = Solite Lens
- LSL = Linear Spread Lens
- HL = Honeycomb Louver

### Beam

- 15 = 15° Beam Angle (n/a for WD)
- 20 = 20° Beam Angle
- 25 = 25° Beam Angle
- 35 = 35° Beam Angle (40° for WD)
- 50 = 50° Beam Angle

### Housing / Reflector Finish

- W = White, RAL 9003 (standard)
- B = Black, RAL 9017
- S = Silver, RAL 9006
- F = Custom finish, specify RAL code

### Options

- EM = Emergency LED battery backup (remote only)
- WL = Wet location (IP65)

Powered by **I B L** Whitegoods reserves the right to change any information without prior notice.

### Notes

1. Suspended cable field adjustable.
2. Wattage shown is for LED only, system wattage varies depending on driver selected.
3. See photometric data sheet for delivered lumens.
4. See driver information for details.
5. Refer to driver information page for driver options that can power multiple fixtures.

index

technical  
information



## 2.4" ProTools Downlight Round Cylinder Tall

### Small Aperture Cylinder

- Part of a complete family of cylinder downlights for surface or suspended applications.
- 2.4" round ceiling mounted cylinder downlight with wide range of beam angles and lens options available to fit a multitude of applications.
- High lumen output and excellent color rendition for all applications. Efficacy up to 140 lumens per watt (delivered).
- UGR < 19 for some configurations to comply with WELL requirements.
- WL Wet Location (IP65) optional.
- 92+ CRI, 2 step MacAdam Ellipse LEDs standard for Static White and Warm Dim (1800K - 3000K). 95+ CRI optional for Static White.
- Long life L70 55,000 hrs based on LM-80 & TM-21 applicable test data.
- Constant current drivers.
- 0-10V, Phase, Lutron, DALI and DMX dimming options available.
- 5 Year warranty.

**Luminaire** Die-caste aluminum for precision fit and heat dissipation  
Mounting hardware for all ceiling types; surface and suspended  
Round open aperture with minimal ceiling interruption and regressed optical chamber  
Finishes: White, Black, Silver and custom (housing and reflector)

**Mounting** SM - Surface Mount  
SC - Suspended Cable (field adjustable)  
SR - Suspended Rigid Stem  
5" dia. for mounting to 4" j-box

**LED** Constant Current, 2 Step MacAdam  
92+ CRI (Static White and Warm Dim), or 95+CRI (Static White)  
Low, Mid or High Power  
2700K, 3000K, 3500K, 4000K, Warm Dim (1800 - 3000K)

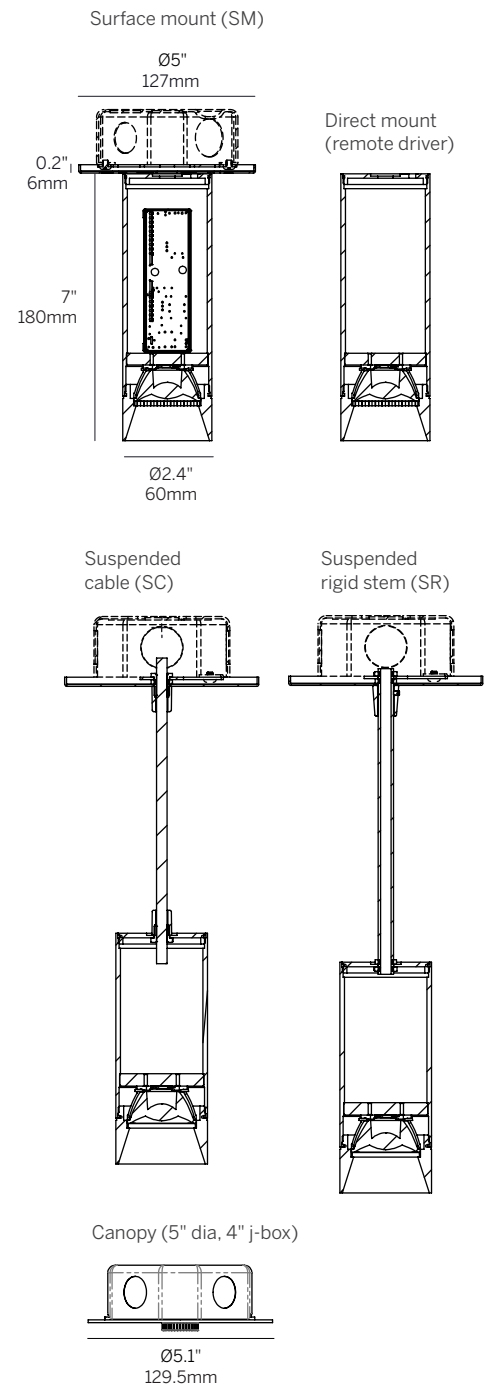
**Beam** 15°, 20°, 25°, 35°, 50°

**Lens** OA - Open Aperture  
SOL - Solite Lens  
LSL - Linear Spread Lens  
HL - Honeycomb Louver

**Driver** Integral drivers for all dimming and non-dimming applications  
0-10V, Phase, Lutron, DALI, DMX driver options

**Warranty** 5-year Limited (see complete company warranty information)

**Certifications** ETL and ETL-C for dry and damp location, WL Wet Location (IP65) optional



## 2.4" ProTools Downlight Round Cylinder Tall

Model	Mounting	Canopy	Power <sup>2</sup>	CRI	CCT <sup>3</sup>	Driver <sup>4</sup>	Cover	Lens	Beam	Finish	Options
WG-60RPTDLID	SM SC1 <sup>1</sup> SC2 <sup>1</sup> SC3 <sup>1</sup> SR1 SR2 SR3 SRX	5 X	L M H	92 95	27 30 35 40 WD	S2 SPH2 PEQ0 DALI RDMX X <sup>5</sup>	RRC	OA SOL LSL HL	15 20 25 35 50	W (std) B S F	EM WL

### Model

- WG-60RPTDLID = 2.4" ProTools Downlight Round Cylinder (Integral Driver)

### Mounting

- SM = Surface mounted
- SC1 = Suspended cable 39.4" (1m)<sup>1</sup>
- SC2 = Suspended cable 78.7" (2m)<sup>1</sup>
- SC3 = Suspended cable 118.1" (3m)<sup>1</sup>
- SR1 = Suspended rigid stem 39.4" (1m)
- SR2 = Suspended rigid stem 78.7" (2m)
- SR3 = Suspended rigid stem 118.1" (3m)
- SRX = Suspended rigid stem (specify to nearest 0.25", 118.1" max.)

### Canopy

- 5 = 5" dia. for 4" j-box
- X = No Canopy (surface mount only)

### Power<sup>2</sup>

- L = Low Power, 6.3W @ 350mA
- M = Mid Power, 9W @ 250mA
- H = High Power, 12W @ 350mA

### CRI

- 92 = 92 CRI
- 95 = 95 CRI (n/a for WD)

### CCT<sup>3</sup>

- 27 = 2700K
- 30 = 3000K
- 35 = 3500K
- 40 = 4000K
- WD = Warm Dimming 1800 - 3000K

### Integral Driver<sup>4</sup>

- S2 = standard eldoLED non-dim or 1% 0-10V dimming, 120-277V, 22W
- SPH2 = standard phase (2-wire) 1% dimming, 120V only, 20W (M / H power only)
- PEQ0 = Lutron Hi-Lume Premier 0.1% EcoSystem, 120-277V, 20W
- DALI = eldoLED DALI-2 1% dimming, 120-277V, 22W

### Remote Driver<sup>4</sup>

- RDMX = eldoLED DMX 0.1% dimming, 120-277V, 30W
- X = No Driver<sup>5</sup>

### Cover

- RRC = Round Recessed Cone

### Lens (one accessory per fixture)

- OA = Open Aperture
- SOL = Solite Lens
- LSL = Linear Spread Lens
- HL = Honeycomb Louver

### Beam

- 15 = 15° Beam Angle (n/a for WD)
- 20 = 20° Beam Angle
- 25 = 25° Beam Angle
- 35 = 35° Beam Angle (40° for WD)
- 50 = 50° Beam Angle

### Housing / Reflector Finish

- W = White, RAL 9003 (standard)
- B = Black, RAL 9017
- S = Silver, RAL 9006
- F = Custom finish, specify RAL code

### Options

- EM = Emergency LED battery backup (remote only)
- WL = Wet location (IP65)

Powered by **I B L** Whitegoods reserves the right to change any information without prior notice.

### Notes

1. Suspended cable field adjustable.
2. Wattage shown is for LED only, system wattage varies depending on driver selected.
3. See photometric data sheet for delivered lumens.
4. See driver information for details.
5. Refer to driver information page for driver options that can power multiple fixtures.



## 2.4" ProTools Downlight Round Cylinder Wall Mount

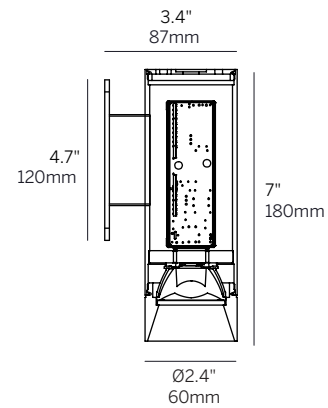
### Small Aperture Cylinder

- Part of a complete family of cylinder downlights for surface or suspended applications.
- Wall mounted 2.4" round cylinder downlight with wide range of beam angles and lens options available to fit a multitude of applications.
- High lumen output and excellent color rendition for all applications. Efficacy up to 140 lumens per watt (delivered).
- UGR < 19 for some configurations to comply with WELL requirements.
- 92+ CRI, 2 step MacAdam Ellipse LEDs standard for Static White and Warm Dim (1800K - 3000K). 95+ CRI optional for Static White.
- Long life L70 55,000 hrs based on LM-80 & TM-21 applicable test data.
- Constant current drivers.
- 0-10V, Phase, Lutron, DALI and DMX dimming options available.
- 5 Year warranty.

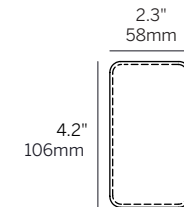
<b>Luminaire</b>	Die-caste aluminum for precision fit and heat dissipation Mounting hardware for all wall types Round open aperture with regressed optical chamber Finishes: White, Black, Silver and custom (housing and reflector)
<b>Mounting</b>	SW - Surface Wall Mount (single gang J-box)
<b>LED</b>	Constant Current, 2 Step MacAdam 92+ CRI (Static White and Warm Dim), or 95+CRI (Static White) Low, Mid or High Power 2700K, 3000K, 3500K, 4000K, Warm Dim (1800 - 3000K)
<b>Beam</b>	15°, 20°, 25°, 35°, 50°
<b>Lens</b>	OA - Open Aperture SOL - Solite Lens LSL - Linear Spread Lens HL - Honeycomb Louver
<b>Driver</b>	Integral drivers for all dimming and non-dimming applications 0-10V, Phase, Lutron, DALI, DMX driver options
<b>Warranty</b>	5-year Limited (see complete company warranty information)
<b>Certifications</b>	ETL and ETL-C for dry and damp location



Surface wall mount (SW)



Surface wall mount (single gang J-box)



## 2.4" ProTools Downlight Round Cylinder Wall Mount

Model	Mounting	Power <sup>1</sup>	CRI	CCT <sup>2</sup>	Driver <sup>3</sup>	Cover	Lens	Beam	Finish	Options
WG-60RPTDL	SW	L M H	92 95	27 30 35 40 WD	S2 SPH2 PEQO DALI RDMX X <sup>4</sup>	RRC	OA SOL LSL HL	15 20 25 35 50	W (std) B S F	EM

### Model

- WG-60RPTDL = 2.4" ProTools Downlight Round Cylinder Wall Mount

### Mounting

- SW = Surface Wall Mount (single gang J-box)

### Power<sup>1</sup>

- L = Low Power, 6.3W @ 350mA
- M = Mid Power, 9W @ 250mA
- H = High Power, 12W @ 350mA

### CRI

- 92 = 92 CRI
- 95 = 95 CRI (n/a for WD)

### CCT<sup>2</sup>

- 27 = 2700K
- 30 = 3000K
- 35 = 3500K
- 40 = 4000K
- WD = Warm Dimming 1800 - 3000K

### Integral Driver<sup>3</sup>

- S2 = standard eldoLED non-dim or 1% 0-10V dimming, 120-277V, 22W
- SPH2 = standard phase (2-wire) 1% dimming, 120V only, 20W (M / H power only)
- PEQO = Lutron Hi-Lume Premier 0.1% EcoSystem, 120-277V, 20W
- DALI = eldoLED DALI-2 1% dimming, 120-277V, 22W

### Remote Driver<sup>4</sup>

- RDMX = eldoLED DMX 0.1% dimming, 120-277V, 30W
- X = No Driver<sup>4</sup>

### Cover

- RRC = Round Recessed Cone

### Lens (one accessory per fixture)

- OA = Open Aperture
- SOL = Solite Lens
- LSL = Linear Spread Lens
- HL = Honeycomb Louver

### Beam

- 15 = 15° Beam Angle (n/a for WD)
- 20 = 20° Beam Angle
- 25 = 25° Beam Angle
- 35 = 35° Beam Angle (40° for WD)
- 50 = 50° Beam Angle

### Housing / Reflector Finish

- W = White, RAL 9003 (standard)
- B = Black, RAL 9017
- S = Silver, RAL 9006
- F = Custom finish, specify RAL code

### Options

- EM = Emergency LED battery backup (remote only)

Powered by **I B L** Whitegoods reserves the right to change any information without prior notice.

### Notes

1. Wattage shown is for LED only, system wattage varies depending on driver selected.
2. See photometric data sheet for delivered lumens.
3. See driver information for details.
4. Refer to driver information page for driver options that can power multiple fixtures.



# 4" ProTools Downlight Round Cylinder

## Medium Aperture Cylinder

- Part of a complete family of cylinder downlights for surface or suspended applications.
- 4" round ceiling mounted cylinder downlight with wide range of beam angles and lens options available to fit a multitude of applications.
- High lumen output and excellent color rendition for all applications. Efficacy up to 140 lumens per watt (delivered).
- UGR < 19 for some configurations to comply with WELL requirements.
- WL Wet Location (IP65) optional.
- 92+ CRI, 2 step MacAdam Ellipse LEDs standard for Static White and Warm Dim (1800K - 3000K). 95+ CRI optional for Static White.
- Long life L70 55,000 hrs based on LM-80 & TM-21 applicable test data.
- Constant current drivers.
- 0-10V, Phase, Lutron, DALI and DMX dimming options available.
- 5 Year warranty.

**Luminaire** Die-caste aluminum for precision fit and heat dissipation  
Mounting hardware for all ceiling types; surface and suspended  
Round open aperture with minimal ceiling interruption and regressed optical chamber  
Housing Finishes: White, Black, Silver and custom  
Reflector Finishes: White, Black, Silver and custom

**Mounting** SM - Surface Mount  
SC - Suspended Cable (field adjustable)  
SR - Suspended Rigid Stem  
5" dia. for mounting to 4" j-box

**LED** Constant Current, 2 Step MacAdam  
92+ CRI (Static White and Warm Dim), or 95+CRI (Static White)  
Low, Mid or High Power  
2700K, 3000K, 3500K, 4000K, Warm Dim (1800 - 3000K)

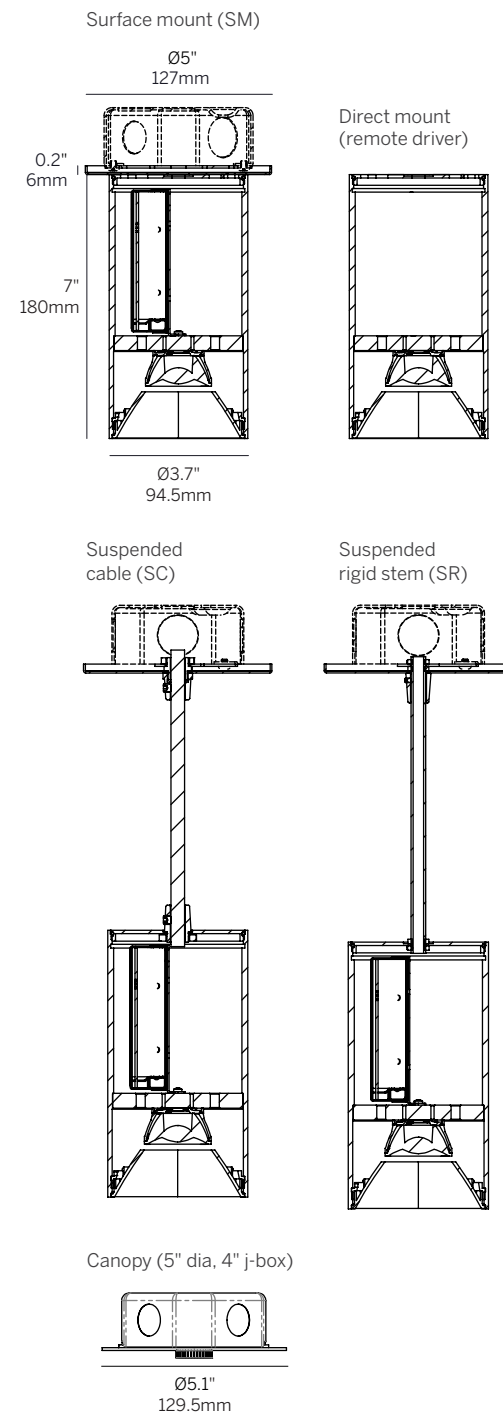
**Beam** 15°, 20°, 25°, 35°, 50°

**Lens** OA - Open Aperture  
SOL - Solite Lens  
LSL - Linear Spread Lens  
HL - Honeycomb Louver

**Driver** Integral and remote drivers for all dimming and non-dimming applications  
0-10V, Phase, Lutron, DALI, DMX driver options

**Warranty** 5-year Limited (see complete company warranty information)

**Certifications** ETL and ETL-C for dry and damp location, WL wet location (IP65) optional



# 4" ProTools Downlight Round Cylinder

Model	Mounting	Canopy	Power <sup>2</sup>	CRI	CCT <sup>3</sup>	Driver <sup>4</sup>	Cover	Lens	Beam	Housing Finish	Reflector Finish	Options
WG-100RPTDL	SM SC1 <sup>1</sup> SC2 <sup>1</sup> SC3 <sup>1</sup> SR1 SR2 SR3 SRX	5 X	L M H	92 95	27 30 35 40 WD	S2 ET15 DALI RPEQO RDMX X <sup>5</sup>	RRC	OA SOL LSL HL	15 20 25 35 50	W (std) B S F	W (std) B S F	EM WL

**Model**  
■ WG-100RPTDL = 4" ProTools Downlight Round Cylinder

**Mounting**  
■ SM = Surface mounted  
■ SC1 = Suspended cable 39.4" (1m)<sup>1</sup>  
■ SC2 = Suspended cable 78.7" (2m)<sup>1</sup>  
■ SC3 = Suspended cable 118.1" (3m)<sup>1</sup>  
■ SR1 = Suspended rigid stem 39.4" (1m)  
■ SR2 = Suspended rigid stem 78.7" (2m)  
■ SR3 = Suspended rigid stem 118.1" (3m)  
■ SRX = Suspended rigid stem (specify to nearest 0.25", 118.1" max.)

**Canopy**  
■ 5 = 5" dia. for 4" j-box  
■ X = No Canopy (surface mount only)

**Power<sup>2</sup>**  
■ L = Low Power, 6.3W @ 350mA  
■ M = Mid Power, 9W @ 250mA  
■ H = High Power, 12W @ 350mA

**CRI**  
■ 92 = 92 CRI  
■ 95 = 95 CRI (n/a for WD)

**CCT<sup>3</sup>**  
■ 27 = 2700K  
■ 30 = 3000K  
■ 35 = 3500K  
■ 40 = 4000K  
■ WD = Warm Dimming 1800 - 3000K

**Integral Driver<sup>4</sup>**  
■ S2 = standard eldoLED non-dim or 1% 0-10V dimming, 120-277V, 22W  
■ ET15 = standard phase (2-wire) 1% dimming, 120V only, 15W (M / H power only)  
■ DALI = eldoLED DALI-2 1% dimming, 120-277V, 22W

**Remote Driver<sup>4</sup>**  
■ RPEQO = Lutron Hi-Lume Premier 0.1% EcoSystem, 120-277V, 20W  
■ RDMX = eldoLED DMX 0.1% dimming, 120-277V, 30W  
■ X = No Driver<sup>5</sup>

**Cover**  
■ RRC = Round Recessed Cone

**Lens (one accessory per fixture)**  
■ OA = Open Aperture  
■ SOL = Solite Lens  
■ LSL = Linear Spread Lens  
■ HL = Honeycomb Louver

**Beam**  
■ 15 = 15° Beam Angle (n/a for WD)  
■ 20 = 20° Beam Angle  
■ 25 = 25° Beam Angle  
■ 35 = 35° Beam Angle (40° for WD)  
■ 50 = 50° Beam Angle

**Housing Finish**  
■ W = White, RAL 9003 (standard)  
■ B = Black, RAL 9017  
■ S = Silver, RAL 9006  
■ F = Custom finish, specify RAL code

**Reflector Finish**  
■ W = White, RAL 9003 (standard)  
■ B = Black, RAL 9017  
■ S = Silver, RAL 9006  
■ F = Custom finish, specify RAL code

**Options**  
■ EM = Emergency LED battery backup (remote only)  
■ WL = Wet location (IP65)

Powered by **I B L** Whitegoods reserves the right to change any information without prior notice.

### Notes

1. Suspended cable field adjustable.
2. Wattage shown is for LED only, system wattage varies depending on driver selected.
3. See photometric data sheet for delivered lumens.
4. See driver information for details.
5. Refer to driver information page for driver options that can power multiple fixtures.



# 4" ProTools Wall Wash Round Cylinder

## Medium Aperture Cylinder

- Part of a complete family of cylinder downlights for surface or suspended applications.
- 4" round ceiling mounted cylinder low brightness wall wash.
- High lumen output and excellent color rendition for all applications. Efficacy up to 100 lumens per watt (delivered).
- 92+ CRI, 2 step MacAdam Ellipse LEDs standard for Static White and Warm Dim (1800K - 3000K). 95+ CRI optional for Static White.
- Long life L70 55,000 hrs based on LM-80 & TM-21 applicable test data.
- Constant current drivers.
- 0-10V, Phase, Lutron, DALI and DMX dimming options available.
- 5 Year warranty.

**Luminaire** Die-caste aluminum for precision fit and heat dissipation  
 Mounting hardware for all ceiling types; surface and suspended  
 Round open aperture with minimal ceiling interruption and regressed optical chamber  
 Housing Finishes: White, Black, Silver and custom  
 Reflector Finishes: Silver Chrome with White Baffle, Silver Chrome with Black Baffle, Silver Chrome with Silver Baffle, and custom

**Mounting** SM - Surface Mount  
 SC - Suspended Cable (field adjustable)  
 SR - Suspended Rigid Stem  
 5" dia. for mounting to 4" j-box

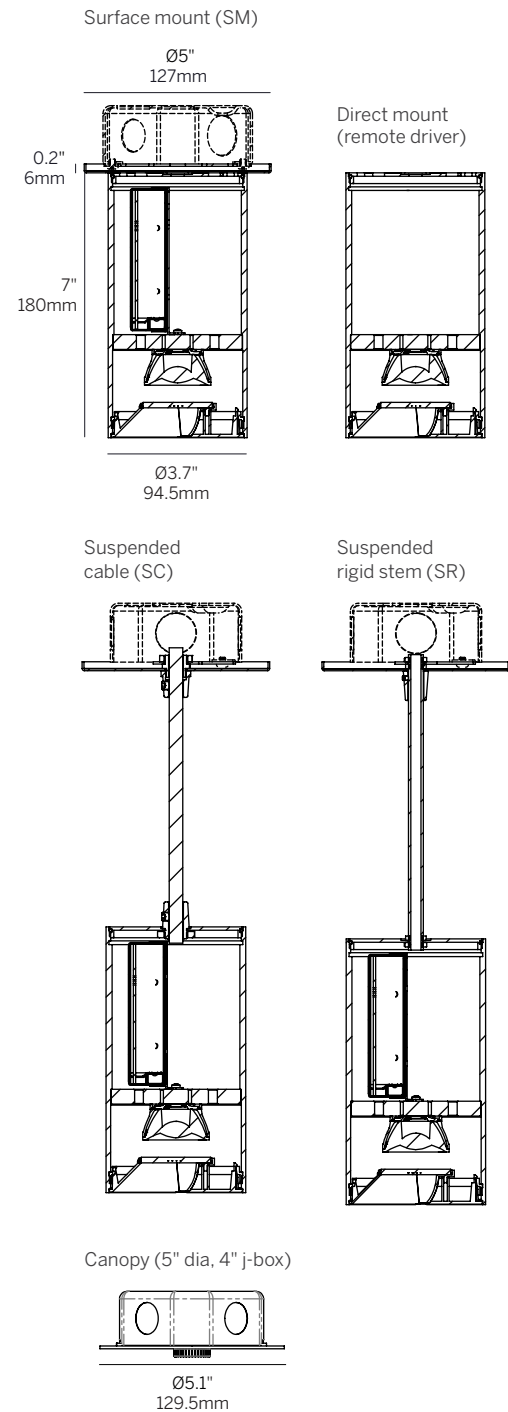
**LED** Constant Current, 2 Step MacAdam  
 92+ CRI (Static White and Warm Dim), or 95+CRI (Static White)  
 Low, Mid or High Power  
 2700K, 3000K, 3500K, 4000K, Warm Dim (1800 - 3000K)

**Beam** Wall Wash

**Driver** Integral and remote drivers for all dimming and non-dimming applications  
 0-10V, Phase, Lutron, DALI, DMX driver options

**Warranty** 5-year Limited (see complete company warranty information)

**Certifications** ETL and ETL-C for dry and damp location



# 4" ProTools Wall Wash Round Cylinder

Model	Mounting	Canopy	Power <sup>2</sup>	CRI	CCT <sup>3</sup>	Driver <sup>4</sup>	Cover	Beam	Housing Finish	Reflector Finish	Options
WG-100RPTWW	SM SC1 <sup>1</sup> SC2 <sup>1</sup> SC3 <sup>1</sup> SR1 SR2 SR3 SRX	5 X	L M H	92 95	27 30 35 40 WD	S2 ET15 DALI RPEQ0 RDMX X <sup>5</sup>	RWW	WW	W (std) B S F	SCW (std) SCB SCS SCF	EM

**Model**  
 ■ WG-100RPTWW = 4" ProTools Wall Wash Round Cylinder

**Mounting**  
 ■ SM = Surface mounted  
 ■ SC1 = Suspended cable 39.4" (1m)<sup>1</sup>  
 ■ SC2 = Suspended cable 78.7" (2m)<sup>1</sup>  
 ■ SC3 = Suspended cable 118.1" (3m)<sup>1</sup>  
 ■ SR1 = Suspended rigid stem 39.4" (1m)  
 ■ SR2 = Suspended rigid stem 78.7" (2m)  
 ■ SR3 = Suspended rigid stem 118.1" (3m)  
 ■ SRX = Suspended rigid stem (specify to nearest 0.25", 118.1" max.)

**Canopy**  
 ■ 5 = 5" dia. for 4" j-box  
 ■ X = No Canopy (surface mount only)

**Power<sup>2</sup>**  
 ■ L = Low Power, 6.3W @ 350mA  
 ■ M = Mid Power, 9W @ 250mA  
 ■ H = High Power, 12W @ 350mA

**CRI**  
 ■ 92 = 92 CRI  
 ■ 95 = 95 CRI (n/a for WD)

**CCT<sup>3</sup>**  
 ■ 27 = 2700K  
 ■ 30 = 3000K  
 ■ 35 = 3500K  
 ■ 40 = 4000K  
 ■ WD = Warm Dimming 1800 - 3000K

**Integral Driver<sup>4</sup>**  
 ■ S2 = standard eldoLED non-dim or 1% 0-10V dimming, 120-277V, 22W  
 ■ ET15 = standard phase (2-wire) 1% dimming, 120V only, 15W (M / H power only)  
 ■ DALI = eldoLED DALI-2 1% dimming, 120-277V, 22W

**Remote Driver<sup>4</sup>**  
 ■ RPEQ0 = Lutron Hi-Lume Premier 0.1% EcoSystem, 120-277V, 20W  
 ■ RDMX = eldoLED DMX 0.1% dimming, 120-277V, 30W  
 ■ X = No Driver<sup>5</sup>

**Cover**  
 ■ RWW = Round Wall Wash

**Beam**  
 ■ WW = Wall Wash

**Housing Finish**  
 ■ W = White, RAL 9003 (standard)  
 ■ B = Black, RAL 9017  
 ■ S = Silver, RAL 9006  
 ■ F = Custom finish, specify RAL code

**Reflector Finish**  
 ■ SCW = Silver Chrome with White Baffle, RAL 9003 (standard)  
 ■ SCB = Silver Chrome with Black Baffle, RAL 9017  
 ■ SCS = Silver Chrome with Silver Baffle, RAL 9006  
 ■ SCF = Silver Chrome with Custom finish baffle, specify RAL

**Options**  
 ■ EM = Emergency LED battery backup (remote only)

Powered by **I B L** Whitegoods reserves the right to change any information without prior notice.

- Notes**
1. Suspended cable field adjustable.
  2. Wattage shown is for LED only, system wattage varies depending on driver selected.
  3. See photometric data sheet for delivered lumens.
  4. See driver information for details.
  5. Refer to driver information page for driver options that can power multiple fixtures.



# 4" ProTools Downlight Round Cylinder Wall Mount

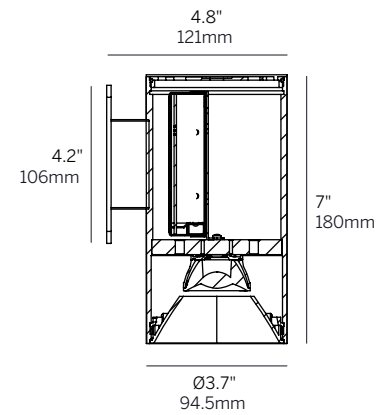
## Medium Aperture Cylinder

- Part of a complete family of cylinder downlights for surface or suspended applications.
- Wall mounted 4" round cylinder downlight with wide range of beam angles and lens options available to fit a multitude of applications.
- High lumen output and excellent color rendition for all applications. Efficacy up to 140 lumens per watt (delivered).
- UGR < 19 for some configurations to comply with WELL requirements.
- 92+ CRI, 2 step MacAdam Ellipse LEDs standard for Static White and Warm Dim (1800K - 3000K). 95+ CRI optional for Static White.
- Long life L70 55,000 hrs based on LM-80 & TM-21 applicable test data.
- Constant current drivers.
- 0-10V, Phase, Lutron, DALI and DMX dimming options available.
- 5 Year warranty.

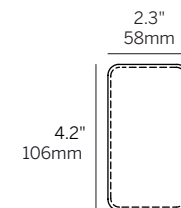
<b>Luminaire</b>	Die-caste aluminum for precision fit and heat dissipation Mounting hardware for all wall types Round open aperture with regressed optical chamber Housing Finishes: White, Black, Silver and custom Reflector Finishes: White, Black, Silver and custom
<b>Mounting</b>	SW - Surface Wall Mount (single gang J-box)
<b>LED</b>	Constant Current, 2 Step MacAdam 92+ CRI (Static White and Warm Dim), or 95+CRI (Static White) Low, Mid or High Power 2700K, 3000K, 3500K, 4000K, Warm Dim (1800 - 3000K)
<b>Beam</b>	15°, 20°, 25°, 35°, 50°
<b>Lens</b>	OA - Open Aperture SOL - Solite Lens LSL - Linear Spread Lens HL - Honeycomb Louver
<b>Driver</b>	Integral and remote drivers for all dimming and non-dimming applications 0-10V, Phase, Lutron, DALI, DMX driver options
<b>Warranty</b>	5-year Limited (see complete company warranty information)
<b>Certifications</b>	ETL and ETL-C for dry and damp location



Surface wall mount (SW)



Surface wall mount (single gang J-box)



# 4" ProTools Downlight Round Cylinder Wall Mount

Model	Mounting	Power <sup>1</sup>	CRI	CCT <sup>2</sup>	Driver <sup>3</sup>	Cover	Lens	Beam	Housing Finish	Reflector Finish	Options
WG-100RPTDL	SW	L M H	92 95	27 30 35 40 WD	S2 ET15 DALI RPEQ0 RDMX X <sup>4</sup>	RRC	OA SOL LSL HL	15 20 25 35 50	W (std) B S F	W (std) B S F	EM

## Model

- WG-100RPTDL = 4" ProTools Downlight Round Cylinder Wall Mount

## Mounting

- SW = Surface Wall Mount (single gang J-box)

## Power<sup>1</sup>

- L = Low Power, 6.3W @ 350mA
- M = Mid Power, 9W @ 250mA
- H = High Power, 12W @ 350mA

## CRI

- 92 = 92 CRI
- 95 = 95 CRI (n/a for WD)

## CCT<sup>2</sup>

- 27 = 2700K
- 30 = 3000K
- 35 = 3500K
- 40 = 4000K
- WD = Warm Dimming 1800 - 3000K

## Integral Driver<sup>3</sup>

- S2 = standard eldoLED non-dim or 1% 0-10V dimming, 120-277V, 22W
- ET15 = standard phase (2-wire) 1% dimming, 120V only, 15W (M / H power only)
- DALI = eldoLED DALI-2 1% dimming, 120-277V, 22W

## Remote Driver<sup>4</sup>

- RPEQ0 = Lutron Hi-Lume Premier 0.1% EcoSystem, 120-277V, 20W
- RDMX = eldoLED DMX 0.1% dimming, 120-277V, 30W
- X = No Driver<sup>4</sup>

## Cover

- RRC = Round Recessed Cone

## Lens (one accessory per fixture)

- OA = Open Aperture
- SOL = Solite Lens
- LSL = Linear Spread Lens
- HL = Honeycomb Louver

## Beam

- 15 = 15° Beam Angle (n/a for WD)
- 20 = 20° Beam Angle
- 25 = 25° Beam Angle
- 35 = 35° Beam Angle (40° for WD)
- 50 = 50° Beam Angle

## Housing Finish

- W = White, RAL 9003 (standard)
- B = Black, RAL 9017
- S = Silver, RAL 9006
- F = Custom finish, specify RAL code

## Reflector Finish

- W = White, RAL 9003 (standard)
- B = Black, RAL 9017
- S = Silver, RAL 9006
- F = Custom finish, specify RAL code

## Options

- EM = Emergency LED battery backup (remote only)

Powered by **I B L** Whitegoods reserves the right to change any information without prior notice.

## Notes

1. Wattage shown is for LED only, system wattage varies depending on driver selected.
2. See photometric data sheet for delivered lumens.
3. See driver information for details.
4. Refer to driver information page for driver options that can power multiple fixtures.



# 5.5" ProTools Downlight Round Cylinder

## Large Aperture Cylinder

- Part of a complete family of cylinder downlights for surface or suspended applications.
- 5.5" round ceiling mounted cylinder downlight with wide range of beam angles and lens options available to fit a multitude of applications.
- High lumen output and excellent color rendition for all applications. Efficacy up to 150 lumens per watt (delivered).
- UGR < 19 for some configurations to comply with WELL requirements.
- WL Wet Location (IP65) optional.
- 92+ CRI, 2 step MacAdam Ellipse LEDs standard for Static White and Warm Dim (1800K - 3000K). 95+ CRI optional for Static White.
- Long life L70 66,000 hrs (Warm Dim 55,000 hrs) based on LM-80 & TM-21 applicable test data.
- Constant current drivers.
- 0-10V, Phase, Lutron, DALI and DMX dimming options available.
- 5 Year warranty.

**Luminaire** Die-cast aluminum for precision fit and heat dissipation  
Mounting hardware for all ceiling types; surface and suspended  
EZ clip mounting for secure installation  
Round open aperture with minimal ceiling interruption and regressed optical chamber  
Housing / Reflector Finishes: White, Black, Silver and custom

**Mounting** SM - Surface Mount  
SC - Suspended Cable (field adjustable)  
SR - Suspended Rigid Stem  
5" dia. for mounting to 4" j-box

**LED** Constant Current, 2 Step MacAdam  
92+ CRI (Static White and Warm Dim), or 95+CRI (Static White)  
High, Extra High or Super High Power  
2700K, 3000K, 3500K, 4000K, Warm Dim (1800 - 3000K)

**Beam** 20°, 25°, 35°, 50°, 60°

**Lens** OA - Open Aperture  
SOL - Solite Lens  
LSL - Linear Spread Lens  
HL - Honeycomb Louver

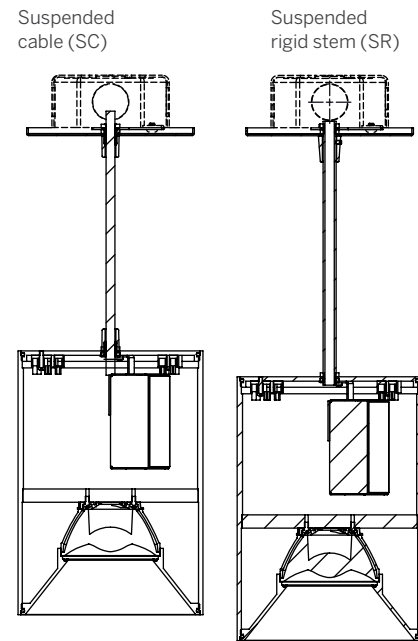
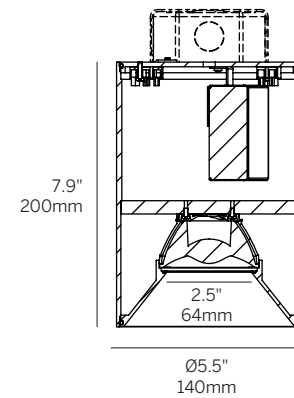
**Driver** Integral and remote drivers for all dimming and non-dimming applications  
0-10V, Phase, Lutron, DALI, DMX driver options

**Warranty** 5-year Limited (see complete company warranty information)

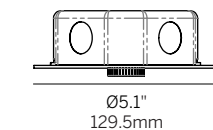
**Certifications** ETL and ETL-C for dry and damp location, WL Wet Location (IP65) optional



Surface mount (SM)



Canopy (5" dia, 4" j-box)



# 5.5" ProTools Downlight Round Cylinder

Model	Mounting	Canopy	Power <sup>2</sup>	CRI	CCT <sup>3</sup>	Driver <sup>4</sup>	Cover	Lens	Beam	Housing Finish	Reflector Finish	Options
WG-140RPTDL	SM SC1 <sup>1</sup> SC2 <sup>1</sup> SC3 <sup>1</sup> SR1 SR2 SR3 SRX	5 X	H XH SH	92 95	27 30 35 40 WD	EH30 PEQ0 RDALI RDMX	RRC	OA SOL LSL HL	20 25 35 50 60	W (std) B S F	W (std) B S F	EM WL

**Model**  
■ WG-140RPTDL = 5.5" ProTools Downlight Round Cylinder

**Mounting**  
■ SM = Surface mounted  
■ SC1 = Suspended cable 39.4" (1m)<sup>1</sup>  
■ SC2 = Suspended cable 78.7" (2m)<sup>1</sup>  
■ SC3 = Suspended cable 118.1" (3m)<sup>1</sup>  
■ SR1 = Suspended rigid stem 39.4" (1m)  
■ SR2 = Suspended rigid stem 78.7" (2m)  
■ SR3 = Suspended rigid stem 118.1" (3m)  
■ SRX = Suspended rigid stem (specify to nearest 0.25", 118.1" max.)

**Canopy**  
■ 5 = 5" dia. for 4" j-box  
■ X = No Canopy (surface mount only)

**Power<sup>2</sup>**  
■ H = High Power, 12W @ 350mA (n/a for WD)  
■ XH = Extra High, 19W @ 550mA  
■ SH = Super High, 26W @ 700 mA

**CRI**  
■ 92 = 92 CRI  
■ 95 = 95 CRI (n/a for WD)

**CCT<sup>3</sup>**  
■ 27 = 2700K  
■ 30 = 3000K  
■ 35 = 3500K  
■ 40 = 4000K  
■ WD = Warm Dimming 1800 - 3000K

**Integral Driver<sup>4</sup>**  
■ EH30 = standard Triac / ELV / 0-10V 1% dimming, 120-277V, 30W (Phase / Triac 120V only)  
■ PEQ0 = Lutron Hi-Lume Premier 0.1% EcoSystem, 120-277V (H power only)

**Remote Driver<sup>4</sup>**  
■ RDALI = eldoLED DALI-2 0.1% dimming, 120-277V  
■ RDMX = eldoLED DMX 0.1% dimming, 120-277V

**Cover**  
■ RRC = Round Recessed Cone

**Lens (one accessory per fixture)**  
■ OA = Open Aperture  
■ SOL = Solite Lens  
■ LSL = Linear Spread Lens  
■ HL = Honeycomb Louver

**Beam**  
■ 20 = 20° Beam Angle  
■ 25 = 25° Beam Angle  
■ 35 = 35° Beam Angle  
■ 50 = 50° Beam Angle (55° for WD)  
■ 60 = 60° Beam Angle (n/a for WD)

**Housing Finish**  
■ W = White, RAL 9003 (standard)  
■ B = Black, RAL 9017  
■ S = Silver, RAL 9006  
■ F = Custom finish, specify RAL code

**Reflector Finish**  
■ W = White, RAL 9003 (standard)  
■ B = Black, RAL 9017  
■ S = Silver, RAL 9006  
■ F = Custom finish, specify RAL code

**Options**  
■ EM = Emergency LED battery backup (remote only)  
■ WL = Wet location (IP65)

Powered by **I B L** Whitegoods reserves the right to change any information without prior notice.

- Notes**
1. Suspended cable field adjustable.
  2. Wattage shown is for LED only, system wattage varies depending on driver selected.
  3. See photometric data sheet for delivered lumens.
  4. See driver information for details.

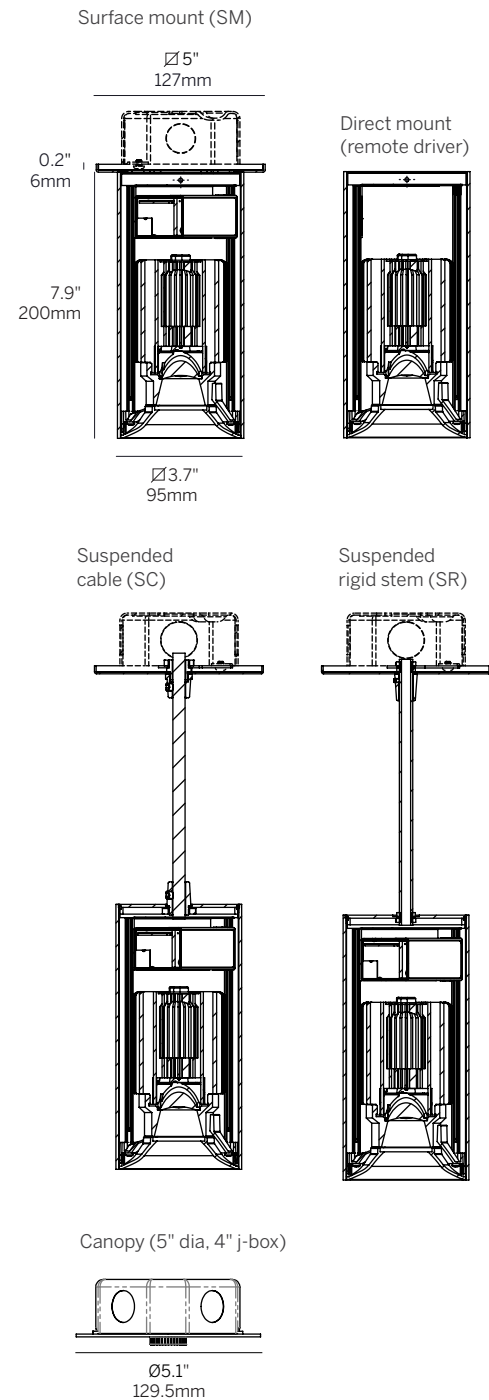


# 4" ProTools Downlight Square Dark Cylinder

## Medium Aperture Cylinder

- Part of a complete family of cylinder downlights for surface or suspended applications.
- 4" square ceiling mounted cylinder downlight with wide range of beam angles and lens options available to fit a multitude of applications.
- High lumen output and excellent color rendition for all applications. Efficacy up to 140 lumens per watt (delivered).
- UGR < 19 for some configurations to comply with WELL requirements.
- WL Wet Location (IP65) optional.
- 92+ CRI, 2 step MacAdam Ellipse LEDs standard for Static White and Warm Dim (1800K - 3000K). 95+ CRI optional for Static White.
- Long life L70 55,000 hrs based on LM-80 & TM-21 applicable test data.
- Constant current drivers.
- 0-10V, Phase, Lutron, DALI and DMX dimming options available.
- 5 Year warranty.

<b>Luminaire</b>	Die-cast aluminum for precision fit and heat dissipation Mounting hardware for all ceiling types; surface and suspended Square open aperture with minimal ceiling interruption and regressed optical chamber Housing Finishes: White, Black, Silver and custom Reflector Finishes: Matte White, Matte Black, Black Chrome, Silver Chrome, Champagne Gold and custom
<b>Mounting</b>	SM - Surface Mount SC - Suspended Cable (field adjustable) SR - Suspended Rigid Stem 5" dia. for mounting to 4" j-box
<b>LED</b>	Constant Current, 2 Step MacAdam 92+ CRI (Static White and Warm Dim), or 95+CRI (Static White) Low, Mid or High Power 2700K, 3000K, 3500K, 4000K, Warm Dim (1800 - 3000K)
<b>Beam</b>	15°, 20°, 25°, 35°, 50°
<b>Lens</b>	OA - Open Aperture SOL - Solite Lens LSL - Linear Spread Lens HL - Honeycomb Louver
<b>Driver</b>	Integral and remote drivers for all dimming and non-dimming applications 0-10V, Phase, Lutron, DALI, DMX driver options
<b>Warranty</b>	5-year Limited (see complete company warranty information)
<b>Certifications</b>	ETL and ETL-C for dry and damp location, WL Wet Location (IP65) optional



# 4" ProTools Downlight Square Dark Cylinder

Model	Mounting	Canopy	Power <sup>2</sup>	CRI	CCT <sup>3</sup>	Driver <sup>4</sup>	Cover	Lens	Beam	Housing Finish	Reflector Finish	Options
WG-100SPTDL	SM SC1 <sup>1</sup> SC2 <sup>1</sup> SC3 <sup>1</sup> SR1 SR2 SR3 SRX	5 X	L M H	92 95	27 30 35 40 WD	ET15 RDALI RPEQO RDMX X <sup>5</sup>	SRC	OA SOL LSL HL	15 25 35 50	W (std) B S F	MW (std) MB BC SC CG F	EM WL

### Model

- WG-100SPTDL = 4" ProTools Downlight Square Cylinder

### Mounting

- SM = Surface mounted
- SC1 = Suspended cable 39.4" (1m)<sup>1</sup>
- SC2 = Suspended cable 78.7" (2m)<sup>1</sup>
- SC3 = Suspended cable 118.1" (3m)<sup>1</sup>
- SR1 = Suspended rigid stem 39.4" (1m)
- SR2 = Suspended rigid stem 78.7" (2m)
- SR3 = Suspended rigid stem 118.1" (3m)
- SRX = Suspended rigid stem (specify to nearest 0.25", 118.1" max.)

### Canopy

- 5 = 5" dia. for 4" j-box
- X = No Canopy (surface mount only)

### Power<sup>2</sup>

- L = Low Power, 6.3W @ 350mA
- M = Mid Power, 9W @ 250mA
- H = High Power, 12W @ 350mA

### CRI

- 92 = 92 CRI
- 95 = 95 CRI (n/a for WD)

### CCT<sup>3</sup>

- 27 = 2700K
- 30 = 3000K
- 35 = 3500K
- 40 = 4000K
- WD = Warm Dimming 1800 - 3000K

### Integral Driver<sup>4</sup>

- ET15 = standard Triac / ELV / 0-10V 1% dimming, 120-277V, 15W (M / H power only, Phase / Triac 120V)

### Remote Driver<sup>4</sup>

- RDALI = eldoLED DALI-2 1% dimming, 120-277V, 22W
- RPEQO = Lutron Hi-Lume Premier 0.1% EcoSystem, 120-277V, 20W
- RDMX = eldoLED DMX 0.1% dimming, 120-277V, 30W
- X = No Driver<sup>4</sup>

Powered by **I B L** Whitegoods reserves the right to change any information without prior notice.

### Notes

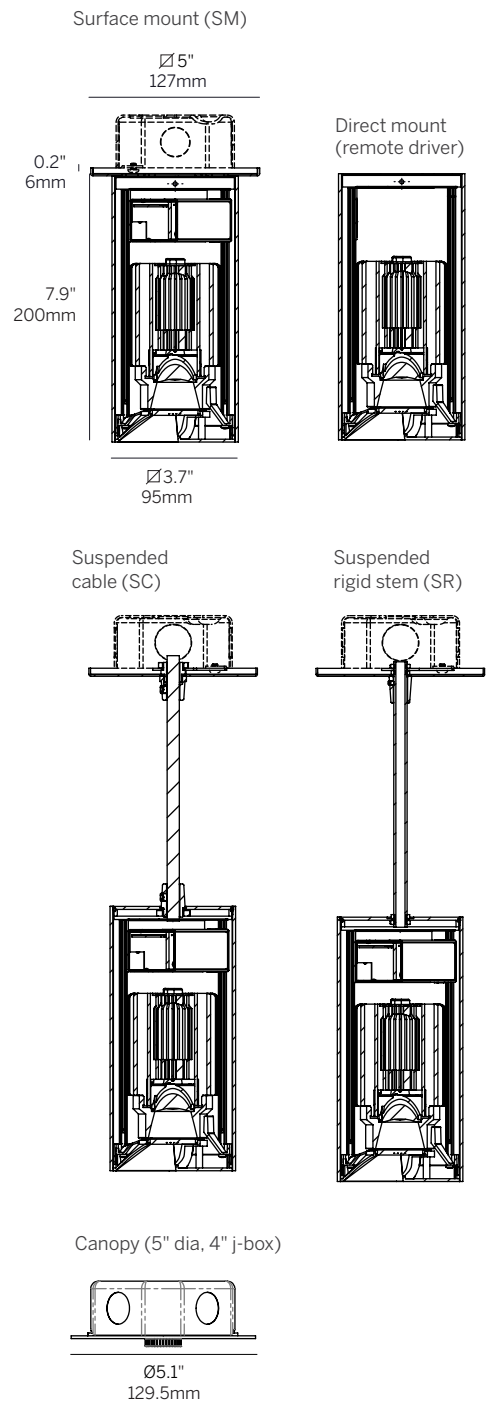
1. Suspended cable field adjustable.
2. Wattage shown is for LED only, system wattage varies depending on driver selected.
3. See photometric data sheet for delivered lumens.
4. See driver information for details.
5. Refer to driver information page for driver options that can power multiple fixtures.

# 4" ProTools Wall Wash Square Cylinder

## Medium Aperture Cylinder

- Part of a complete family of cylinder downlights for surface or suspended applications.
- 4" square ceiling mounted cylinder low brightness wall wash.
- High lumen output and excellent color rendition for all applications. Efficacy up to 100 lumens per watt (delivered).
- 92+ CRI, 2 step MacAdam Ellipse LEDs standard for Static White and Warm Dim (1800K - 3000K). 95+ CRI optional for Static White.
- Long life L70 55,000 hrs based on LM-80 & TM-21 applicable test data.
- Constant current drivers.
- 0-10V, Phase, Lutron, DALI and DMX dimming options available.
- 5 Year warranty.

- Luminaire** Die-cast aluminum for precision fit and heat dissipation  
Mounting hardware for all ceiling types; surface and suspended  
Square open aperture with minimal ceiling interruption and regressed optical chamber  
Housing Finishes: White, Black, Silver and custom  
Reflector Finishes: Silver Chrome with White Baffle, Silver Chrome with Black Baffle, Silver Chrome with Silver Baffle, and custom
- Mounting** SM - Surface Mount  
SC - Suspended Cable (field adjustable)  
SR - Suspended Rigid Stem  
5" dia. for mounting to 4" j-box
- LED** Constant Current, 2 Step MacAdam  
92+ CRI (Static White and Warm Dim), or 95+CRI (Static White)  
Low, Mid or High Power  
2700K, 3000K, 3500K, 4000K, Warm Dim (1800 - 3000K)
- Beam** WW - Wall Wash
- Driver** Integral and remote drivers for all dimming and non-dimming applications  
0-10V, Phase, Lutron, DALI, DMX driver options
- Warranty** 5-year Limited (see complete company warranty information)
- Certifications** ETL and ETL-C for dry and damp location



# 4" ProTools Wall Wash Square Cylinder

Model	Mounting	Canopy	Power <sup>2</sup>	CRI	CCT <sup>3</sup>	Driver <sup>4</sup>	Cover	Beam	Housing Finish	Reflector Finish	Options
WG-100SPTWW	SM SC1 <sup>1</sup> SC2 <sup>1</sup> SC3 <sup>1</sup> SR1 SR2 SR3 SRX	5 X	L M H	92 95	27 30 35 40 WD	ET15 RDALI RPEQO RDMX X <sup>5</sup>	SWW	WW	W (std) B S F	SCW (std) SCB SCS SCF	EM

**Model**  
WG-100SPTWW = 4" ProTools Wall Wash Square Cylinder

- Mounting**
- SM = Surface mounted
  - SC1 = Suspended cable 39.4" (1m)<sup>1</sup>
  - SC2 = Suspended cable 78.7" (2m)<sup>1</sup>
  - SC3 = Suspended cable 118.1" (3m)<sup>1</sup>
  - SR1 = Suspended rigid stem 39.4" (1m)
  - SR2 = Suspended rigid stem 78.7" (2m)
  - SR3 = Suspended rigid stem 118.1" (3m)
  - SRX = Suspended rigid stem (specify to nearest 0.25", 118.1" max.)

- Canopy**
- 5 = 5" dia. for 4" j-box
  - X = No Canopy (surface mount only)

- Power<sup>2</sup>**
- L = Low Power, 6.3W @ 350mA
  - M = Mid Power, 9W @ 250mA
  - H = High Power, 12W @ 350mA

- CRI**
- 92 = 92 CRI
  - 95 = 95 CRI (n/a for WD)

- CCT<sup>3</sup>**
- 27 = 2700K
  - 30 = 3000K
  - 35 = 3500K
  - 40 = 4000K
  - WD = Warm Dimming 1800 - 3000K

**Integral Driver<sup>4</sup>**

- ET15 = standard Triac / ELV / 0-10V 1% dimming, 120-277V, 15W (M / H power only, Phase / Triac 120V)

- Remote Driver<sup>4</sup>**
- RDALI = eldoLED DALI-2 1% dimming, 120-277V, 22W
  - RPEQO = Lutron Hi-Lume Premier 0.1% EcoSystem, 120-277V, 20W
  - RDMX = eldoLED DMX 0.1% dimming, 120-277V, 30W
  - X = No Driver<sup>5</sup>

**Cover**

- SWW = Square Wall Wash

**Beam**

- WW = Wall Wash

- Housing Finish**
- W = White, RAL 9003 (standard)
  - B = Black, RAL 9017
  - S = Silver, RAL 9006
  - F = Custom finish, specify RAL code

- Reflector Finish**
- SCW = Silver Chrome with White Baffle, RAL 9003 (standard)
  - SCB = Silver Chrome with Black Baffle, RAL 9017
  - SCS = Silver Chrome with Silver Baffle, RAL 9006
  - SCF = Silver Chrome with Custom finish baffle, specify RAL

**Options**

- EM = Emergency LED battery backup (remote only)

Powered by **I B L** Whitegoods reserves the right to change any information without prior notice.

- Notes**
1. Suspended cable field adjustable.
  2. Wattage shown is for LED only, system wattage varies depending on driver selected.
  3. See photometric data sheet for delivered lumens.
  4. See driver information for details.
  5. Refer to driver information page for driver options that can power multiple fixtures.







The application of light to the surfaces around us is a critical factor in our perception of any space.

When proper consideration is given to the architecture, function and the desired atmosphere, lighting can become a truly integrated part of the overall environment being created, often unseen although defining and enhancing the space.