

**IMPORTANT:** Fixture(s) must be wired in series! Refer to driver wiring document

Luminaires must be installed by a qualified electrician. Check with local and national codes for proper installation.

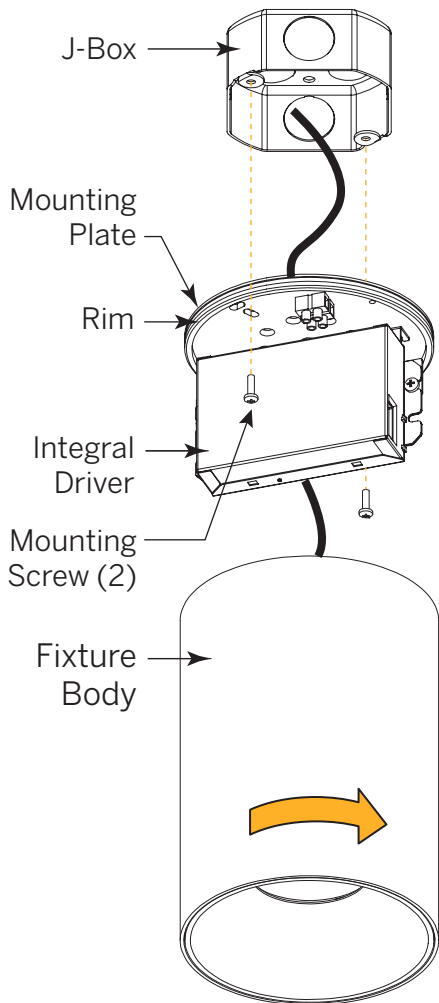


To prevent electrical shock disconnect electrical supply before installation or servicing.

**Never connect a live fixture!!!**

Contractor is responsible for adequately reinforcing walls and/or ceilings to support fixture weight. Provide blocking when necessary.

Integral Driver



## Step 1

### Confirm Power Supply is Off!

Unpack luminaire unit.

## Step 2

### Ceiling Preparation

Mark location, cut opening, and mount J-Box. Pull power (and control) cable(s) inside.

## Step 3

### Electrical Connection

Connect cable exiting mounting plate to power (and control) wires in J-Box using suitable connectors.

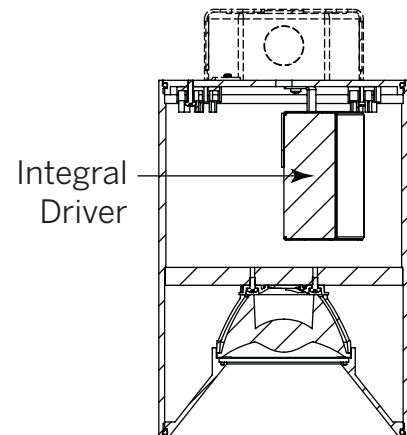
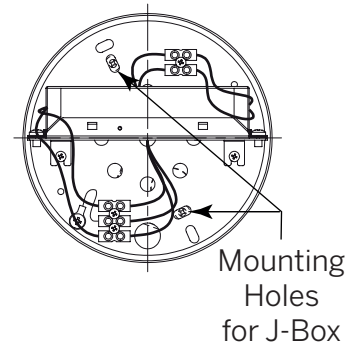
## Step 4

### Mount Luminaire

- a** Secure Mounting Plate to J-Box with (2) screws.
- b** Slip Fixture Body over Rim of Mounting Plate. Secure by rotating clockwise. Lock into place with Set Screw.

## Included in Box

- (1) Fixture Body with Integral Driver with connected cable
- (1) Mounting Plate
- (2) Mounting Screws
- (1) Set Screw



Cross-Section of Fixture

Need Help?