

IMPORTANT: Fixture(s) must be wired in series! Refer to driver wiring document

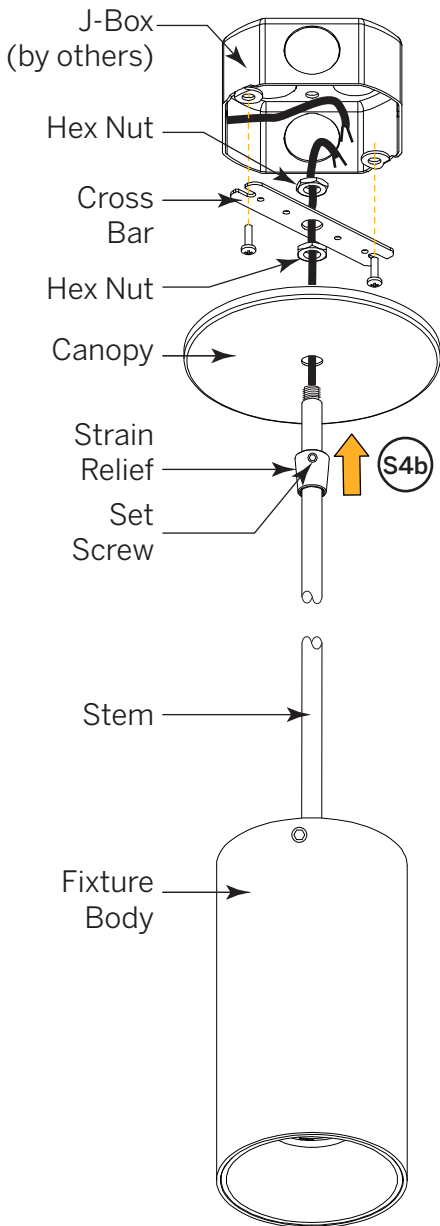
Luminaires must be installed by a qualified electrician. Check with local and national codes for proper installation.



To prevent electrical shock disconnect electrical supply before installation or servicing.

Never connect a live fixture!!!

Contractor is responsible for adequately reinforcing walls and/or ceilings to support fixture weight. Provide blocking when necessary.



Step 1

Confirm Power Supply is Off!

Unpack luminaire unit. Remote drivers and housings are supplied by Inter-lux.

Step 2

Ceiling Preparation

Mark location, cut opening, and mount J-Box. Pull power (and control) cable(s) inside. Attach Cross Bar with supplied screws.

Step 3

Mounting

- a** From Fixture Body, feed cable through stem. If stem supplied in multiple pieces, feed cable through first section and **then** through second section. Now join first to second. Repeat if needed. Screw Stem assembly to Fixture Body.
- b** Slide Strain Relief onto top of stem. Follow with Canopy. Screw on Hex Nut on top of Canopy.
- c** Screw top of Stem to Cross Bar, followed by Hex Nut to secure.

Step 4

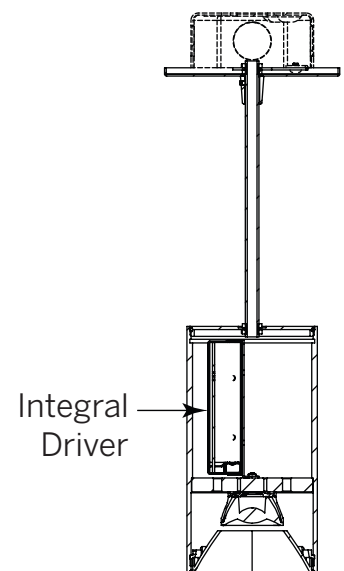
Connect Electrical & Secure

- a** Inside J-Box, connect power (and control) wire(s) using suitable connectors.
- b** Slide Canopy and Strain Relief up the Stem to ceiling. Lock in place with Set Screw.

Need Help?

Included in Box

- (1) Fixture Body with Integral Driver (or none, if remote driver specified) with connected cable.
- (1-3) Stem(s) as specified
- (1) Cross Bar
- (2) Cross Bar Screws
- (2) Hex Nuts
- (1) Canopy
- (1) Strain Relief with Set Screw



Cross-Section of Fixture