

**IMPORTANT:** Fixture(s) must be wired in series! Refer to driver wiring document

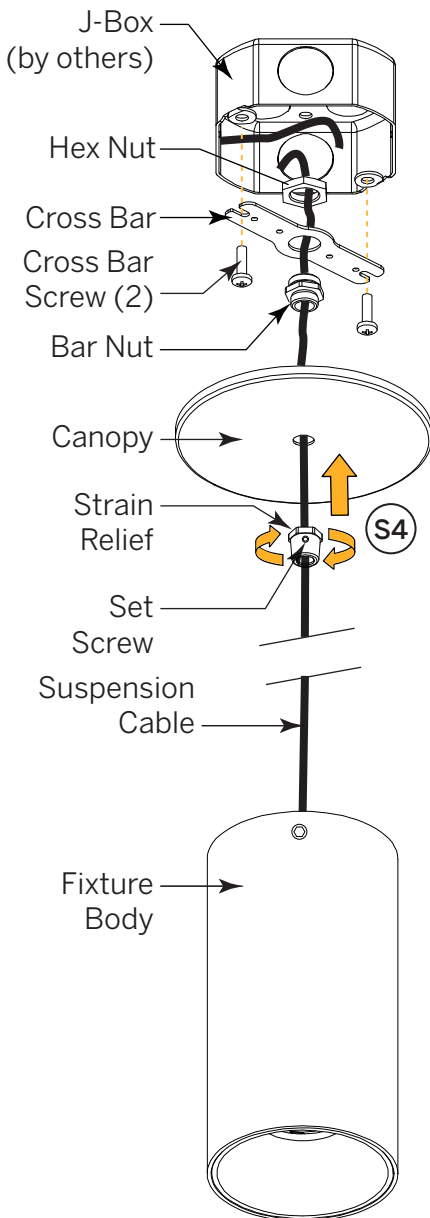
Luminaires must be installed by a qualified electrician. Check with local and national codes for proper installation.



To prevent electrical shock disconnect electrical supply before installation or servicing.

**Never connect a live fixture!!!**

Contractor is responsible for adequately reinforcing walls and/or ceilings to support fixture weight. Provide blocking when necessary.



## Step 1

### Confirm Power Supply is Off!

Unpack luminaire unit. Remote drivers and housings are supplied by Inter-lux.

## Step 2

### Ceiling Preparation

- a** Mark location, cut opening, and mount J-Box. Pull power (and control) cable(s) inside. Attach Cross Bar with supplied screws.
- b** Screw Bar Nut to bottom of Cross Bar. Secure with Hex Nut above Bar.

## Step 3

### Electrical Connection

- a** From fixture, feed cable through Strain Relief and Canopy into J-Box.

**NOTE:** Hex Side of Strain Relief to contact canopy, as shown.

- b** Inside J-Box, connect power (and control) wire(s) using suitable connectors.

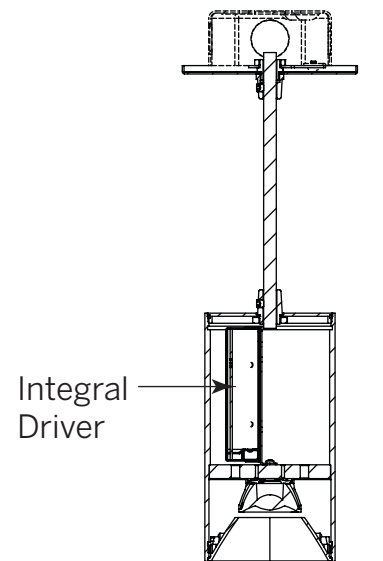
## Step 4

### Secure Luminaire

Slide Canopy and Strain Relief up the suspension cable to the ceiling. Screw Strain Relief to Bar Nut. Lock in place with Set Screw.

## Included in Box

- (1) Fixture Body with Integral Driver (or none, if remote driver specified) with connected cable.
- (1) Cross Bar
- (2) Cross Bar Screws
- (1) Bar Nut
- (1) Hex Nut
- (1) Canopy
- (1) Strain Relief with Set Screw



Cross-Section of Fixture

Need Help?