

IMPORTANT: Fixture(s) must be wired in series! Refer to driver wiring document

Luminaires must be installed by a qualified electrician. Check with local and national codes for proper installation.



To prevent electrical shock disconnect electrical supply before installation or servicing.

Never connect a live fixture!!!

Contractor is responsible for adequately reinforcing walls and/or ceilings to support fixture weight. Provide blocking when necessary.

Step 1 - Confirm Power Supply is Off!

Unpack luminaire unit.

Step 2 - Wall Preparation

Mark location for single gang J-Box having 3.25" mounting distance between centers. Cut opening, mount, and pull power (and control cables) inside.

Step 3 - Wiring

Inside J-Box, connect to power (and control) wire(s) using suitable connectors.

Step 4 - Mounting

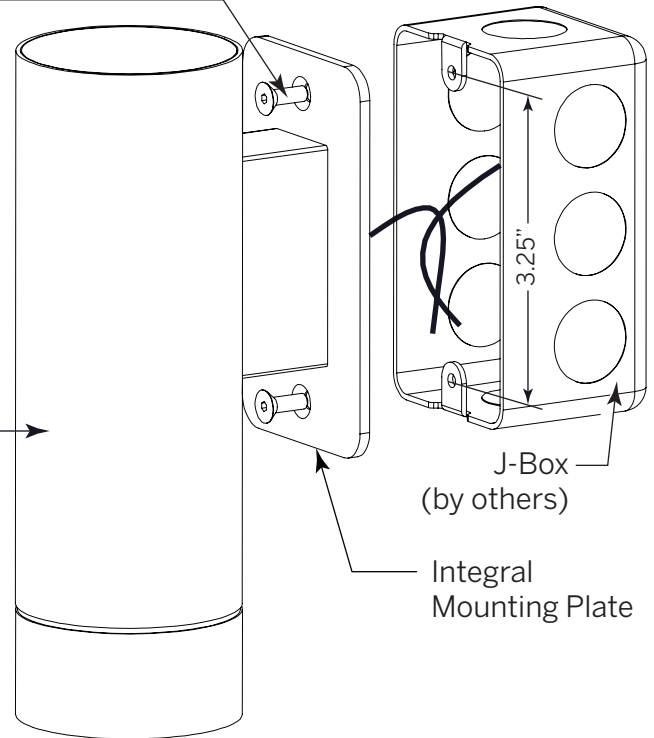
Secure cylinder mounting plate to J-Box with (2) Mounting Screws.

Mounting Screw (2)

Fixture Body

J-Box
(by others)

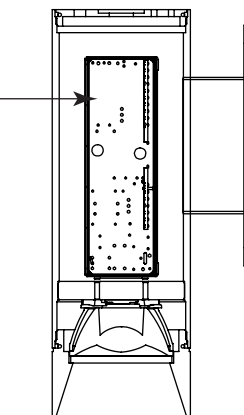
Integral
Mounting Plate



Included in Box

- (1) Fixture Body with Integral Mounting Plate and connected cable
- (2) Mounting Screws

Integral Driver



Cross-Section
of Fixture

Need
Help?