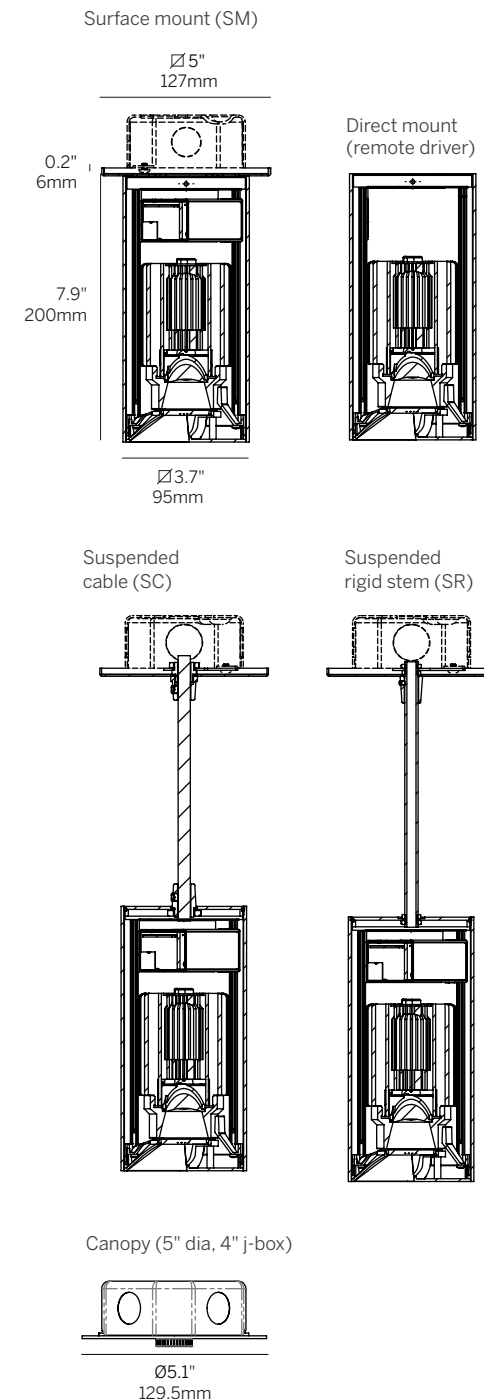


4" ProTools Wall Wash Square Cylinder

Medium Aperture Cylinder

- Part of a complete family of cylinder downlights for surface or suspended applications.
- 4" square ceiling mounted cylinder low brightness wall wash.
- High lumen output and excellent color rendition for all applications. Efficacy up to 100 lumens per watt (delivered).
- 92+ CRI, 2 step MacAdam Ellipse LEDs standard for Static White and Warm Dim (1800K - 3000K). 95+ CRI optional for Static White.
- Long life L70 55,000 hrs based on LM-80 & TM-21 applicable test data.
- Constant current drivers.
- 0-10V, Phase, Lutron, DALI and DMX dimming options available.
- 5 Year warranty.

- Luminaire** Die-cast aluminum for precision fit and heat dissipation
Mounting hardware for all ceiling types; surface and suspended
Square open aperture with minimal ceiling interruption and regressed optical chamber
Housing Finishes: White, Black, Silver and custom
Reflector Finishes: Silver Chrome with White Baffle, Silver Chrome with Black Baffle, Silver Chrome with Silver Baffle, and custom
- Mounting** SM - Surface Mount
SC - Suspended Cable (field adjustable)
SR - Suspended Rigid Stem
5" dia. for mounting to 4" j-box
- LED** Constant Current, 2 Step MacAdam
92+ CRI (Static White and Warm Dim), or 95+CRI (Static White)
Low, Mid or High Power
2700K, 3000K, 3500K, 4000K, Warm Dim (1800 - 3000K)
- Beam** WW - Wall Wash
- Driver** Integral and remote drivers for all dimming and non-dimming applications
0-10V, Phase, Lutron, DALI, DMX driver options
- Warranty** 5-year Limited (see complete company warranty information)
- Certifications** ETL and ETL-C for dry and damp location



4" ProTools Wall Wash Square Cylinder

Model	Mounting	Canopy	Power ²	CRI	CCT ³	Driver ⁴	Cover	Beam	Housing Finish	Reflector Finish	Options
WG-100SPTWW	SM SC1 ¹ SC2 ¹ SC3 ¹ SR1 SR2 SR3 SRX	5 X	L M H	92 95	27 30 35 40 WD	ET15 RDALI RPEQO RDMX X ⁵	SWW	WW	W (std) B S F	SCW (std) SCB SCS SCF	EM

- Model** WG-100SPTWW = 4" ProTools Wall Wash Square Cylinder
- Mounting**
 - SM = Surface mounted
 - SC1 = Suspended cable 39.4" (1m)¹
 - SC2 = Suspended cable 78.7" (2m)¹
 - SC3 = Suspended cable 118.1" (3m)¹
 - SR1 = Suspended rigid stem 39.4" (1m)
 - SR2 = Suspended rigid stem 78.7" (2m)
 - SR3 = Suspended rigid stem 118.1" (3m)
 - SRX = Suspended rigid stem (specify to nearest 0.25", 118.1" max.)
- Canopy**
 - 5 = 5" dia. for 4" j-box
 - X = No Canopy (surface mount only)
- Power²**
 - L = Low Power, 6.3W @ 350mA
 - M = Mid Power, 9W @ 250mA
 - H = High Power, 12W @ 350mA
- CRI**
 - 92 = 92 CRI
 - 95 = 95 CRI (n/a for WD)
- CCT³**
 - 27 = 2700K
 - 30 = 3000K
 - 35 = 3500K
 - 40 = 4000K
 - WD = Warm Dimming 1800 - 3000K
- Integral Driver⁴**
 - ET15 = standard Triac / ELV / 0-10V 1% dimming, 120-277V, 15W (M / H power only, Phase / Triac 120V)
- Remote Driver⁴**
 - RDALI = eldoLED DALI-2 1% dimming, 120-277V, 22W
 - RPEQO = Lutron Hi-Lume Premier 0.1% EcoSystem, 120-277V, 20W
 - RDMX = eldoLED DMX 0.1% dimming, 120-277V, 30W
 - X = No Driver⁵
- Cover**
 - SWW = Square Wall Wash
- Beam**
 - WW = Wall Wash
- Housing Finish**
 - W = White, RAL 9003 (standard)
 - B = Black, RAL 9017
 - S = Silver, RAL 9006
 - F = Custom finish, specify RAL code
- Reflector Finish**
 - SCW = Silver Chrome with White Baffle, RAL 9003 (standard)
 - SCB = Silver Chrome with Black Baffle, RAL 9017
 - SCS = Silver Chrome with Silver Baffle, RAL 9006
 - SCF = Silver Chrome with Custom finish baffle, specify RAL
- Options**
 - EM = Emergency LED battery backup (remote only)

Powered by **I B L** Whitegoods reserves the right to change any information without prior notice.

- Notes**
 1. Suspended cable field adjustable.
 2. Wattage shown is for LED only, system wattage varies depending on driver selected.
 3. See photometric data sheet for delivered lumens.
 4. See driver information for details.
 5. Refer to driver information page for driver options that can power multiple fixtures.