

# 4" ProTools Wall Wash Round Cylinder

## Medium Aperture Cylinder

- Part of a complete family of cylinder downlights for surface or suspended applications.
- 4" round ceiling mounted cylinder low brightness wall wash.
- High lumen output and excellent color rendition for all applications. Efficacy up to 100 lumens per watt (delivered).
- 92+ CRI, 2 step MacAdam Ellipse LEDs standard for Static White and Warm Dim (1800K - 3000K). 95+ CRI optional for Static White.
- Long life L70 55,000 hrs based on LM-80 & TM-21 applicable test data.
- Constant current drivers.
- 0-10V, Phase, Lutron, DALI and DMX dimming options available.
- 5 Year warranty.

**Luminaire** Die-caste aluminum for precision fit and heat dissipation  
 Mounting hardware for all ceiling types; surface and suspended  
 Round open aperture with minimal ceiling interruption and regressed optical chamber  
 Housing Finishes: White, Black, Silver and custom  
 Reflector Finishes: Silver Chrome with White Baffle, Silver Chrome with Black Baffle, Silver Chrome with Silver Baffle, and custom

**Mounting** SM - Surface Mount  
 SC - Suspended Cable (field adjustable)  
 SR - Suspended Rigid Stem  
 5" dia. for mounting to 4" j-box

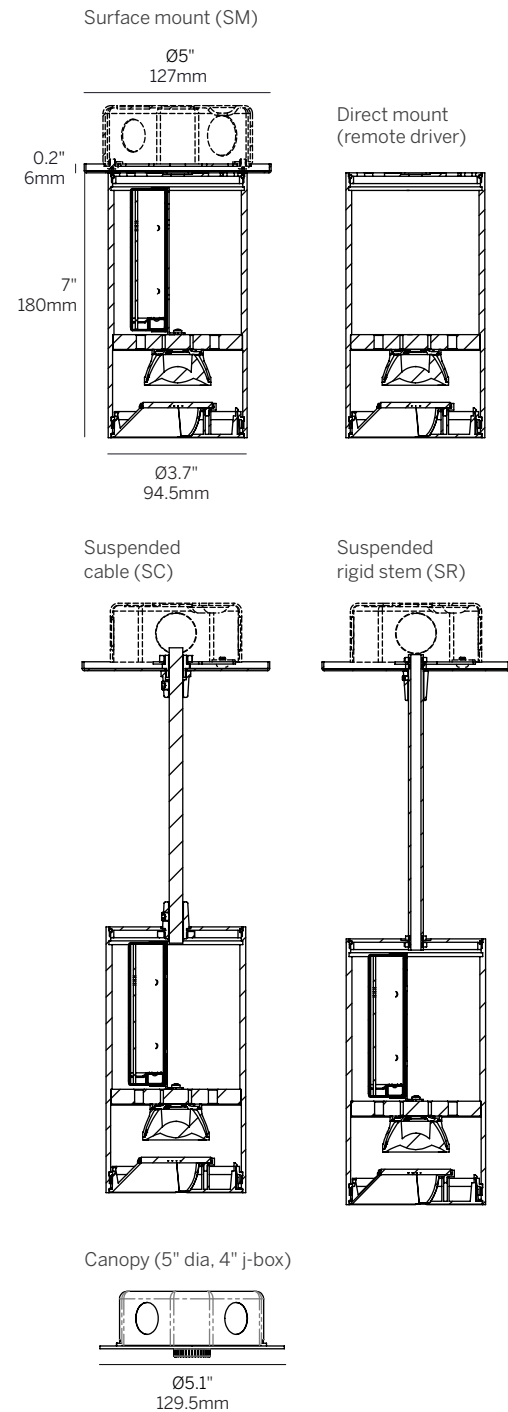
**LED** Constant Current, 2 Step MacAdam  
 92+ CRI (Static White and Warm Dim), or 95+CRI (Static White)  
 Low, Mid or High Power  
 2700K, 3000K, 3500K, 4000K, Warm Dim (1800 - 3000K)

**Beam** Wall Wash

**Driver** Integral and remote drivers for all dimming and non-dimming applications  
 0-10V, Phase, Lutron, DALI, DMX driver options

**Warranty** 5-year Limited (see complete company warranty information)

**Certifications** ETL and ETL-C for dry and damp location



technical information

# 4" ProTools Wall Wash Round Cylinder

| Model       | Mounting   | Canopy | Power <sup>2</sup> | CRI      | CCT <sup>3</sup>           | Driver <sup>4</sup>                                   | Cover | Beam | Housing Finish         | Reflector Finish               | Options |
|-------------|--|--------|--------------------|----------|----------------------------|---|-------|------|------------------------|--------------------------------|---------|
| WG-100RPTWW | SM<br>SC1 <sup>1</sup><br>SC2 <sup>1</sup><br>SC3 <sup>1</sup><br>SR1<br>SR2<br>SR3<br>SRX | 5<br>X | L<br>M<br>H        | 92<br>95 | 27<br>30<br>35<br>40<br>WD | S2<br>ET15<br>DALI<br>RPEQ0<br>RDMX<br>X <sup>5</sup> | RWW   | WW   | W (std)<br>B<br>S<br>F | SCW (std)<br>SCB<br>SCS<br>SCF | EM      |

**Model**  
 ■ WG-100RPTWW = 4" ProTools Wall Wash Round Cylinder

**Mounting**  
 ■ SM = Surface mounted  
 ■ SC1 = Suspended cable 39.4" (1m)<sup>1</sup>  
 ■ SC2 = Suspended cable 78.7" (2m)<sup>1</sup>  
 ■ SC3 = Suspended cable 118.1" (3m)<sup>1</sup>  
 ■ SR1 = Suspended rigid stem 39.4" (1m)  
 ■ SR2 = Suspended rigid stem 78.7" (2m)  
 ■ SR3 = Suspended rigid stem 118.1" (3m)  
 ■ SRX = Suspended rigid stem (specify to nearest 0.25", 118.1" max.)

**Canopy**  
 ■ 5 = 5" dia. for 4" j-box  
 ■ X = No Canopy (surface mount only)

**Power<sup>2</sup>**  
 ■ L = Low Power, 6.3W @ 350mA  
 ■ M = Mid Power, 9W @ 250mA  
 ■ H = High Power, 12W @ 350mA

**CRI**  
 ■ 92 = 92 CRI  
 ■ 95 = 95 CRI (n/a for WD)

**CCT<sup>3</sup>**  
 ■ 27 = 2700K  
 ■ 30 = 3000K  
 ■ 35 = 3500K  
 ■ 40 = 4000K  
 ■ WD = Warm Dimming 1800 - 3000K

**Integral Driver<sup>4</sup>**  
 ■ S2 = standard eldoLED non-dim or 1% 0-10V dimming, 120-277V, 22W  
 ■ ET15 = standard phase (2-wire) 1% dimming, 120V only, 15W (M / H power only)  
 ■ DALI = eldoLED DALI-2 1% dimming, 120-277V, 22W

**Remote Driver<sup>4</sup>**  
 ■ RPEQ0 = Lutron Hi-Lume Premier 0.1% EcoSystem, 120-277V, 20W  
 ■ RDMX = eldoLED DMX 0.1% dimming, 120-277V, 30W  
 ■ X = No Driver<sup>5</sup>

**Cover**  
 ■ RWW = Round Wall Wash

**Beam**  
 ■ WW = Wall Wash

**Housing Finish**  
 ■ W = White, RAL 9003 (standard)  
 ■ B = Black, RAL 9017  
 ■ S = Silver, RAL 9006  
 ■ F = Custom finish, specify RAL code

**Reflector Finish**  
 ■ SCW = Silver Chrome with White Baffle, RAL 9003 (standard)  
 ■ SCB = Silver Chrome with Black Baffle, RAL 9017  
 ■ SCS = Silver Chrome with Silver Baffle, RAL 9006  
 ■ SCF = Silver Chrome with Custom finish baffle, specify RAL

**Options**  
 ■ EM = Emergency LED battery backup (remote only)

Powered by **I B L** Whitegoods reserves the right to change any information without prior notice.

- Notes**
- Suspended cable field adjustable.
  - Wattage shown is for LED only, system wattage varies depending on driver selected.
  - See photometric data sheet for delivered lumens.
  - See driver information for details.
  - Refer to driver information page for driver options that can power multiple fixtures.