

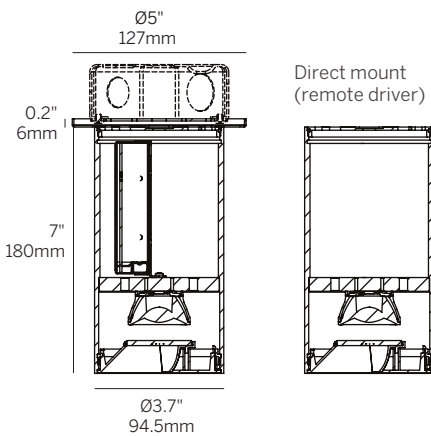
# 4" ProTools Wall Wash

## Round Cylinder

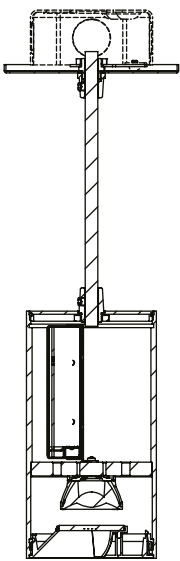


Ordering Information											
Model	Mounting	Canopy	Power <sup>2</sup>	CRI	CCT <sup>3</sup>	Driver <sup>4</sup>	Cover	Lens	Housing Finish	Reflector Finish	Options
WG-100RPTWW	SM	5	L	92	27	S2	RWW	WW	W (std)	SCW (std)	EM
	SC1 <sup>1</sup>	X	M	95	30	ET15			B	SCB	
	SC2 <sup>1</sup>		H		35	DALI			S	SCS	
	SC3 <sup>1</sup>				40	RPEQO			F	SCF	
	SR1				WD	RDMX					
	SR2					X <sup>5</sup>					
	SR3										
	SRX										

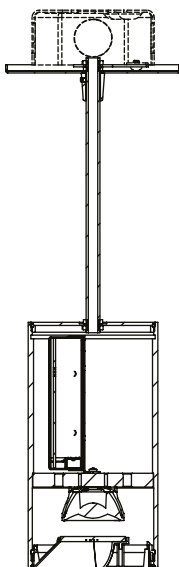
Surface mount (SM)



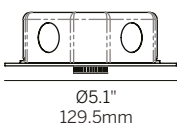
Suspended cable (SC)



Suspended rigid stem (SR)



Canopy (5" dia, 4" j-box)



### Luminaire

- 4" round ceiling mounted cylinder low brightness wall wash.
- Surface, suspended cable and rigid stem mounting.
- High lumen output and excellent color rendition for all applications. Efficacy up to 100 lumens per watt (delivered).
- UGR < 19 for some configurations to comply with WELL requirements.
- CREE 2 step McAdam LEDs.
- CRI >92+ standard, >95+ available.
- Warm Dim 1800 - 3000K.
- Long life L70 55,000 hrs based on LM-80 & TM-21 applicable test data.
- Constant current drivers.
- 0-10V, Phase, Lutron, DALI and DMX options available.
- 5 Year warranty.

### Mounting

- SM = Surface mounted
- SC1 = Suspended cable 39.4" (1m)<sup>1</sup>
- SC2 = Suspended cable 78.7" (2m)<sup>1</sup>
- SC3 = Suspended cable 118.1" (3m)<sup>1</sup>
- SR1 = Suspended rigid stem 39.4" (1m)
- SR2 = Suspended rigid stem 78.7" (2m)
- SR3 = Suspended rigid stem 118.1" (3m)
- SRX = Suspended rigid stem (specify to nearest 0.25", 118.1" max.)

### Canopy

- 5 = 5" dia. for 4" j-box
- X = No Canopy (surface mount only)

### Power<sup>2</sup>

- L = Low Power, 6.3W @ 350mA
- M = Mid Power, 9W @ 250mA
- H = High Power, 12W @ 350mA

### CRI

- 92 = 92 CRI
- 95 = 95 CRI (n/a for WD)

### CCT<sup>3</sup>

- 27 = 2700K
- 30 = 3000K
- 35 = 3500K
- 40 = 4000K
- WD = Warm Dimming 1800 - 3000K

### Integral Driver<sup>4</sup>

- S2 = standard eldoLED non-dim or 1% 0-10V dimming, 120-277V, 22W
- ET15 = standard phase (2-wire) 1% dimming, 120V only, 15W (M / H power only)
- DALI = eldoLED DALI-2 1% dimming, 120-277V, 22W

### Remote Driver<sup>4</sup>

- RPEQO = Lutron Hi-Lume Premier 0.1% EcoSystem, 120-277V, 20W
- RDMX = eldoLED DMX 0.1% dimming, 120-277V, 30W
- X = No Driver<sup>5</sup>

### Cover

- RWW = Round Wall Wash

### Beam

- WW = Wall Wash

### Housing Finish

- W = White, RAL 9003 (standard)
- B = Black, RAL 9017
- S = Silver, RAL 9006
- F = Custom finish, specify RAL code

### Reflector Finish

- SCW = Silver Chrome with White Baffle, RAL 9003 (standard)
- SCB = Silver Chrome with Black Baffle, RAL 9017
- SCS = Silver Chrome with Silver Baffle, RAL 9006
- SCF = Silver Chrome with Custom finish baffle, specify RAL

### Options

- EM = Emergency LED battery backup (remote only)

- Suspended cable field adjustable.
- Wattage shown is for LED only, system wattage varies depending on driver selected.
- See photometric data sheet for delivered lumens.
- See driver information for details.
- Refer to driver information page for driver options that can power multiple fixtures. Ordered separately.