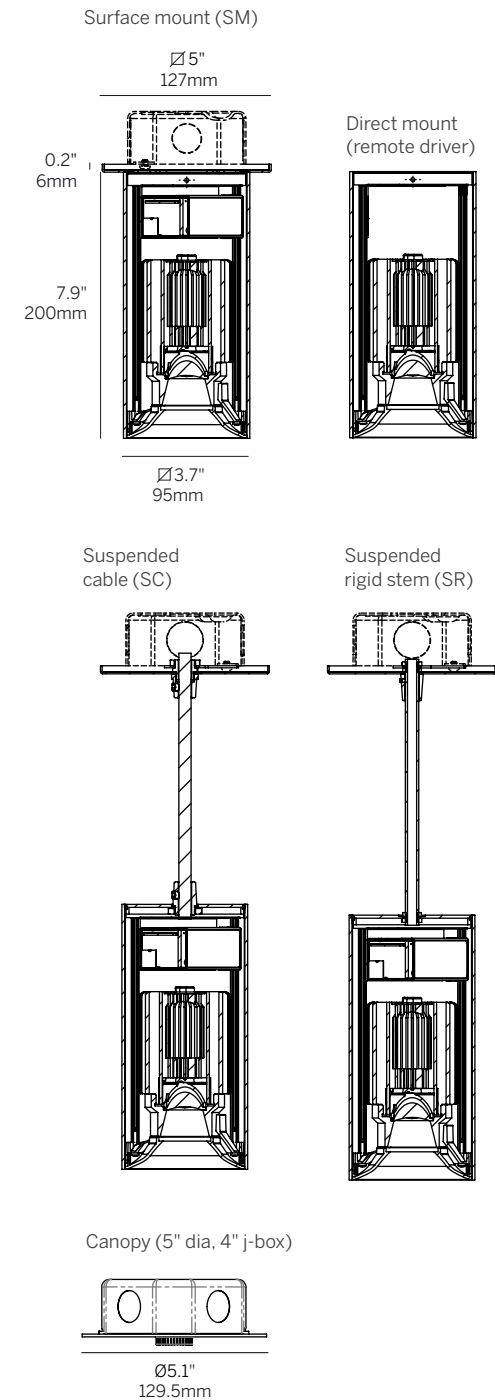


# 4" ProTools Downlight Square Dark Cylinder

## Medium Aperture Cylinder

- Part of a complete family of cylinder downlights for surface or suspended applications.
- 4" square ceiling mounted cylinder downlight with wide range of beam angles and lens options available to fit a multitude of applications.
- High lumen output and excellent color rendition for all applications. Efficacy up to 140 lumens per watt (delivered).
- UGR < 19 for some configurations to comply with WELL requirements.
- WL Wet Location (IP65) optional.
- 92+ CRI, 2 step MacAdam Ellipse LEDs standard for Static White and Warm Dim (1800K - 3000K). 95+ CRI optional for Static White.
- Long life L70 55,000 hrs based on LM-80 & TM-21 applicable test data.
- Constant current drivers.
- 0-10V, Phase, Lutron, DALI and DMX dimming options available.
- 5 Year warranty.

<b>Luminaire</b>	Die-cast aluminum for precision fit and heat dissipation Mounting hardware for all ceiling types; surface and suspended Square open aperture with minimal ceiling interruption and regressed optical chamber Housing Finishes: White, Black, Silver and custom Reflector Finishes: Matte White, Matte Black, Black Chrome, Silver Chrome, Champagne Gold and custom
<b>Mounting</b>	SM - Surface Mount SC - Suspended Cable (field adjustable) SR - Suspended Rigid Stem 5" dia. for mounting to 4" j-box
<b>LED</b>	Constant Current, 2 Step MacAdam 92+ CRI (Static White and Warm Dim), or 95+CRI (Static White) Low, Mid or High Power 2700K, 3000K, 3500K, 4000K, Warm Dim (1800 - 3000K)
<b>Beam</b>	15°, 20°, 25°, 35°, 50°
<b>Lens</b>	OA - Open Aperture SOL - Solite Lens LSL - Linear Spread Lens HL - Honeycomb Louver
<b>Driver</b>	Integral and remote drivers for all dimming and non-dimming applications 0-10V, Phase, Lutron, DALI, DMX driver options
<b>Warranty</b>	5-year Limited (see complete company warranty information)
<b>Certifications</b>	ETL and ETL-C for dry and damp location, WL Wet Location (IP65) optional



# 4" ProTools Downlight Square Dark Cylinder

Model	Mounting	Canopy	Power <sup>2</sup>	CRI	CCT <sup>3</sup>	Driver <sup>4</sup>	Cover	Lens	Beam	Housing Finish	Reflector Finish	Options
WG-100SPTDL	SM SC1 <sup>1</sup> SC2 <sup>1</sup> SC3 <sup>1</sup> SR1 SR2 SR3 SRX	5 X	L M H	92 95	27 30 35 40 WD	ET15 RDALI RPEQO RDMX X <sup>5</sup>	SRC	OA SOL LSL HL	15 25 35 50	W (std) B S F	MW (std) MB BC SC CG F	EM WL

## Model

- WG-100SPTDL = 4" ProTools Downlight Square Cylinder

## Mounting

- SM = Surface mounted
- SC1 = Suspended cable 39.4" (1m)<sup>1</sup>
- SC2 = Suspended cable 78.7" (2m)<sup>1</sup>
- SC3 = Suspended cable 118.1" (3m)<sup>1</sup>
- SR1 = Suspended rigid stem 39.4" (1m)
- SR2 = Suspended rigid stem 78.7" (2m)
- SR3 = Suspended rigid stem 118.1" (3m)
- SRX = Suspended rigid stem (specify to nearest 0.25", 118.1" max.)

## Canopy

- 5 = 5" dia. for 4" j-box
- X = No Canopy (surface mount only)

## Power<sup>2</sup>

- L = Low Power, 6.3W @ 350mA
- M = Mid Power, 9W @ 250mA
- H = High Power, 12W @ 350mA

## CRI

- 92 = 92 CRI
- 95 = 95 CRI (n/a for WD)

## CCT<sup>3</sup>

- 27 = 2700K
- 30 = 3000K
- 35 = 3500K
- 40 = 4000K
- WD = Warm Dimming 1800 - 3000K

## Integral Driver<sup>4</sup>

- ET15 = standard Triac / ELV / 0-10V 1% dimming, 120-277V, 15W (M / H power only, Phase / Triac 120V)

## Remote Driver<sup>4</sup>

- RDALI = eldoLED DALI-2 1% dimming, 120-277V, 22W
- RPEQO = Lutron Hi-Lume Premier 0.1% EcoSystem, 120-277V, 20W
- RDMX = eldoLED DMX 0.1% dimming, 120-277V, 30W
- X = No Driver<sup>4</sup>

Powered by **I B L** Whitegoods reserves the right to change any information without prior notice.

## Notes

1. Suspended cable field adjustable.
2. Wattage shown is for LED only, system wattage varies depending on driver selected.
3. See photometric data sheet for delivered lumens.
4. See driver information for details.
5. Refer to driver information page for driver options that can power multiple fixtures.

technical  
information

