

4" ProTools Downlight Round Cylinder Wall Mount

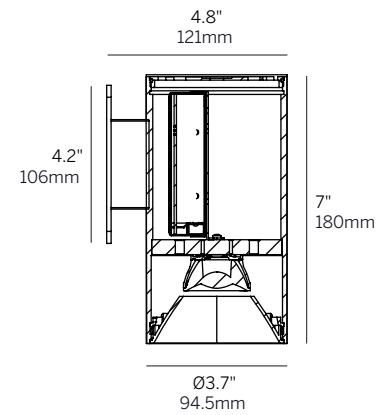
Medium Aperture Cylinder

- Part of a complete family of cylinder downlights for surface or suspended applications.
- Wall mounted 4" round cylinder downlight with wide range of beam angles and lens options available to fit a multitude of applications.
- High lumen output and excellent color rendition for all applications. Efficacy up to 140 lumens per watt (delivered).
- UGR < 19 for some configurations to comply with WELL requirements.
- 92+ CRI, 2 step MacAdam Ellipse LEDs standard for Static White and Warm Dim (1800K - 3000K). 95+ CRI optional for Static White.
- Long life L70 55,000 hrs based on LM-80 & TM-21 applicable test data.
- Constant current drivers.
- 0-10V, Phase, Lutron, DALI and DMX dimming options available.
- 5 Year warranty.

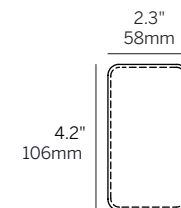
Luminaire	Die-caste aluminum for precision fit and heat dissipation Mounting hardware for all wall types Round open aperture with regressed optical chamber Housing Finishes: White, Black, Silver and custom Reflector Finishes: White, Black, Silver and custom
Mounting	SW - Surface Wall Mount (single gang J-box)
LED	Constant Current, 2 Step MacAdam 92+ CRI (Static White and Warm Dim), or 95+CRI (Static White) Low, Mid or High Power 2700K, 3000K, 3500K, 4000K, Warm Dim (1800 - 3000K)
Beam	15°, 20°, 25°, 35°, 50°
Lens	OA - Open Aperture SOL - Solite Lens LSL - Linear Spread Lens HL - Honeycomb Louver
Driver	Integral and remote drivers for all dimming and non-dimming applications 0-10V, Phase, Lutron, DALI, DMX driver options
Warranty	5-year Limited (see complete company warranty information)
Certifications	ETL and ETL-C for dry and damp location



Surface wall mount (SW)



Surface wall mount (single gang J-box)



4" ProTools Downlight Round Cylinder Wall Mount

Model	Mounting	Power ¹	CRI	CCT ²	Driver ³	Cover	Lens	Beam	Housing Finish	Reflector Finish	Options
WG-100RPTDL	SW	L M H	92 95	27 30 35 40 WD	S2 ET15 DALI RPEQ0 RDMX X ⁴	RRC	OA SOL LSL HL	15 20 25 35 50	W (std) B S F	W (std) B S F	EM

Model

- WG-100RPTDL = 4" ProTools Downlight Round Cylinder Wall Mount

Mounting

- SW = Surface Wall Mount (single gang J-box)

Power¹

- L = Low Power, 6.3W @ 350mA
- M = Mid Power, 9W @ 250mA
- H = High Power, 12W @ 350mA

CRI

- 92 = 92 CRI
- 95 = 95 CRI (n/a for WD)

CCT²

- 27 = 2700K
- 30 = 3000K
- 35 = 3500K
- 40 = 4000K
- WD = Warm Dimming 1800 - 3000K

Integral Driver³

- S2 = standard eldoLED non-dim or 1% 0-10V dimming, 120-277V, 22W
- ET15 = standard phase (2-wire) 1% dimming, 120V only, 15W (M / H power only)
- DALI = eldoLED DALI-2 1% dimming, 120-277V, 22W

Remote Driver⁴

- RPEQ0 = Lutron Hi-Lume Premier 0.1% EcoSystem, 120-277V, 20W
- RDMX = eldoLED DMX 0.1% dimming, 120-277V, 30W
- X = No Driver⁴

Cover

- RRC = Round Recessed Cone

Lens (one accessory per fixture)

- OA = Open Aperture
- SOL = Solite Lens
- LSL = Linear Spread Lens
- HL = Honeycomb Louver

Beam

- 15 = 15° Beam Angle (n/a for WD)
- 20 = 20° Beam Angle
- 25 = 25° Beam Angle
- 35 = 35° Beam Angle (40° for WD)
- 50 = 50° Beam Angle

Housing Finish

- W = White, RAL 9003 (standard)
- B = Black, RAL 9017
- S = Silver, RAL 9006
- F = Custom finish, specify RAL code

Reflector Finish

- W = White, RAL 9003 (standard)
- B = Black, RAL 9017
- S = Silver, RAL 9006
- F = Custom finish, specify RAL code

Options

- EM = Emergency LED battery backup (remote only)

Powered by **I B L** Whitegoods reserves the right to change any information without prior notice.

Notes

1. Wattage shown is for LED only, system wattage varies depending on driver selected.
2. See photometric data sheet for delivered lumens.
3. See driver information for details.
4. Refer to driver information page for driver options that can power multiple fixtures.

technical
information

