

4" ProTools Downlight Round Cylinder

Medium Aperture Cylinder

- Part of a complete family of cylinder downlights for surface or suspended applications.
- 4" round ceiling mounted cylinder downlight with wide range of beam angles and lens options available to fit a multitude of applications.
- High lumen output and excellent color rendition for all applications. Efficacy up to 140 lumens per watt (delivered).
- UGR < 19 for some configurations to comply with WELL requirements.
- WL Wet Location (IP65) optional.
- 92+ CRI, 2 step MacAdam Ellipse LEDs standard for Static White and Warm Dim (1800K - 3000K). 95+ CRI optional for Static White.
- Long life L70 55,000 hrs based on LM-80 & TM-21 applicable test data.
- Constant current drivers.
- 0-10V, Phase, Lutron, DALI and DMX dimming options available.
- 5 Year warranty.

Luminaire Die-cast aluminum for precision fit and heat dissipation
Mounting hardware for all ceiling types; surface and suspended
Round open aperture with minimal ceiling interruption and regressed optical chamber
Housing Finishes: White, Black, Silver and custom
Reflector Finishes: White, Black, Silver and custom

Mounting SM - Surface Mount
SC - Suspended Cable (field adjustable)
SR - Suspended Rigid Stem
5" dia. for mounting to 4" j-box

LED Constant Current, 2 Step MacAdam
92+ CRI (Static White and Warm Dim), or 95+CRI (Static White)
Low, Mid or High Power
2700K, 3000K, 3500K, 4000K, Warm Dim (1800 - 3000K)

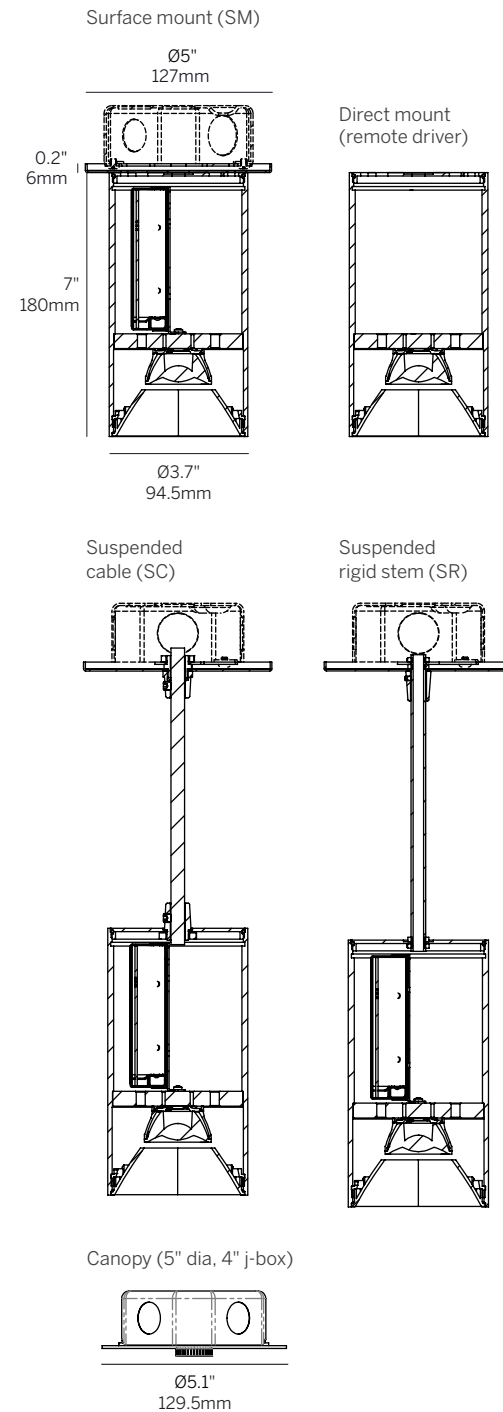
Beam 15°, 20°, 25°, 35°, 50°

Lens OA - Open Aperture
SOL - Solite Lens
LSL - Linear Spread Lens
HL - Honeycomb Louver

Driver Integral and remote drivers for all dimming and non-dimming applications
0-10V, Phase, Lutron, DALI, DMX driver options

Warranty 5-year Limited (see complete company warranty information)

Certifications ETL and ETL-C for dry and damp location, WL wet location (IP65) optional



4" ProTools Downlight Round Cylinder

Model	Mounting	Canopy	Power ²	CRI	CCT ³	Driver ⁴	Cover	Lens	Beam	Housing Finish	Reflector Finish	Options
WG-100RPTDL	SM SC1 ¹ SC2 ¹ SC3 ¹ SR1 SR2 SR3 SRX	5 X	L M H	92 95	27 30 35 40 WD	S2 ET15 DALI RPEQO RDMX X ⁵	RRC	OA SOL LSL HL	15 20 25 35 50	W (std) B S F	W (std) B S F	EM WL

Model
■ WG-100RPTDL = 4" ProTools Downlight Round Cylinder

Mounting
■ SM = Surface mounted
■ SC1 = Suspended cable 39.4" (1m)¹
■ SC2 = Suspended cable 78.7" (2m)¹
■ SC3 = Suspended cable 118.1" (3m)¹
■ SR1 = Suspended rigid stem 39.4" (1m)
■ SR2 = Suspended rigid stem 78.7" (2m)
■ SR3 = Suspended rigid stem 118.1" (3m)
■ SRX = Suspended rigid stem (specify to nearest 0.25", 118.1" max.)

Canopy
■ 5 = 5" dia. for 4" j-box
■ X = No Canopy (surface mount only)

Power²
■ L = Low Power, 6.3W @ 350mA
■ M = Mid Power, 9W @ 250mA
■ H = High Power, 12W @ 350mA

CRI
■ 92 = 92 CRI
■ 95 = 95 CRI (n/a for WD)

CCT³
■ 27 = 2700K
■ 30 = 3000K
■ 35 = 3500K
■ 40 = 4000K
■ WD = Warm Dimming 1800 - 3000K

Integral Driver⁴
■ S2 = standard eldoLED non-dim or 1% 0-10V dimming, 120-277V, 22W
■ ET15 = standard phase (2-wire) 1% dimming, 120V only, 15W (M / H power only)
■ DALI = eldoLED DALI-2 1% dimming, 120-277V, 22W

Remote Driver⁴
■ RPEQO = Lutron Hi-Lume Premier 0.1% EcoSystem, 120-277V, 20W
■ RDMX = eldoLED DMX 0.1% dimming, 120-277V, 30W
■ X = No Driver⁵

Cover
■ RRC = Round Recessed Cone

Lens (one accessory per fixture)
■ OA = Open Aperture
■ SOL = Solite Lens
■ LSL = Linear Spread Lens
■ HL = Honeycomb Louver

Beam
■ 15 = 15° Beam Angle (n/a for WD)
■ 20 = 20° Beam Angle
■ 25 = 25° Beam Angle
■ 35 = 35° Beam Angle (40° for WD)
■ 50 = 50° Beam Angle

Housing Finish
■ W = White, RAL 9003 (standard)
■ B = Black, RAL 9017
■ S = Silver, RAL 9006
■ F = Custom finish, specify RAL code

Reflector Finish
■ W = White, RAL 9003 (standard)
■ B = Black, RAL 9017
■ S = Silver, RAL 9006
■ F = Custom finish, specify RAL code

Options
■ EM = Emergency LED battery backup (remote only)
■ WL = Wet location (IP65)

Powered by **I B L** Whitegoods reserves the right to change any information without prior notice.

- Notes**
1. Suspended cable field adjustable.
 2. Wattage shown is for LED only, system wattage varies depending on driver selected.
 3. See photometric data sheet for delivered lumens.
 4. See driver information for details.
 5. Refer to driver information page for driver options that can power multiple fixtures.

