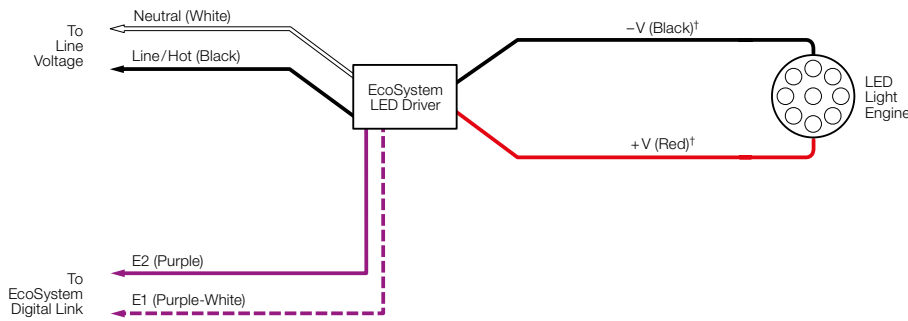


4" ProTools Cylinders - Remote driver information

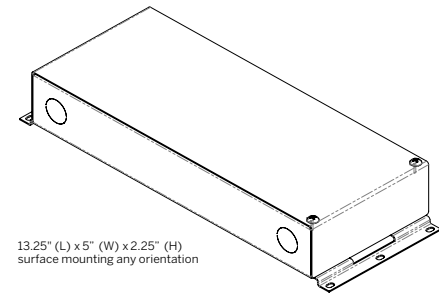
Please refer to driver manufacturer's website for current data sheets and wiring guidelines.

| Driver | Wattage | Control | Dimming | FIXTURES PER DRIVER | | |
|--------|---------|-----------|------------|---------------------|--------|---------|
| | | | | L (6.3W) | M (9W) | H (12W) |
| RPEQ0 | 20W | EcoSystem | 0.1% | 1 - 2 | 1 | 1 |
| RDMX | 30W | DMX | Dim To Off | 1 - 2 | 1 | 1 |
| RDALI | 22W | DALI-2 | 1% | 1 - 2 | 1 | 1 |

RPEQ0 = Lutron Hi-Lume Premier 0.1% EcoSystem, 120-277V, 20W [spec sheet](#)



Dry Location Enclosure



Compatible Controls: Lutron EcoSystem Digital Controls

| Lutron EcoSystem Compatible Controls | Part Number | | Drivers per Control | | |
|---|--------------------------------|--------|-----------------------------|----------------------------|-----------------------------|
| | 120 V~ | 277 V~ | EcoSystem Loops per Control | Drivers per EcoSystem Loop | Maximum Drivers per Control |
| PowPak Dimming Modules | RMJ-ECO32-DV-B | | 1 | 32 | 32 |
| | FCJ/FCJS-ECO ¹ | | 1 | 3 | 3 |
| Energi Savr Node | QSN-1ECO-S | N/A | 1 | 64 | 64 |
| | QSN-2ECO-S | | 2 | 64 | 128 |
| GRAFIK Eye QS / HomeWorks QS control unit | QSGRJ-_E (wireless) QSGR-_E | N/A | 1 | 64 | 64 |
| Quantum Hub | QP2-__ 2C | N/A | 2 | 64 | 128 |
| | QP2-__ 4C | | 4 | 64 | 256 |
| | QP2-__ 6C | | 6 | 64 | 384 |
| | QP2-__ 8C | | 8 | 64 | 512 |

| Wire gauge | Maximum lead length ¹ |
|--------------------------------|----------------------------------|
| | 150 mA to 700 mA |
| 18 AWG (0.75 mm ²) | 30 ft (9 m) |
| 16 AWG (1.5 mm ²) | 35 ft (10.5 m) |
| 14 AWG (2.5 mm ²) | 50 ft (15 m) |
| 12 AWG (4.0 mm ²) | 100 ft (30 m) |

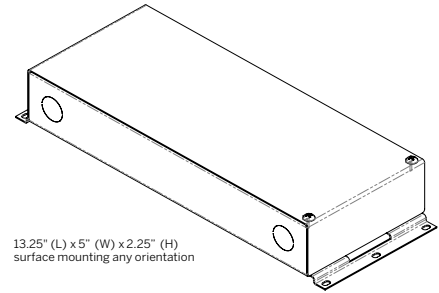
¹Actual distance must be calculated by installer. Must comply with NEC code.

¹ All devices connected to one FCJ/FCJS-ECO will be controlled together. Devices will dim to the same level as the result of a control command. For more detail on adjusting low-end light level refer to Application Note #556 (048556) at www.lutron.com

4" ProTools Cylinders - Remote driver information

RDMX = eldoLED DMX 0.1% dimming, 120-277V, 30W [spec sheet](#)

Dry Location Enclosure



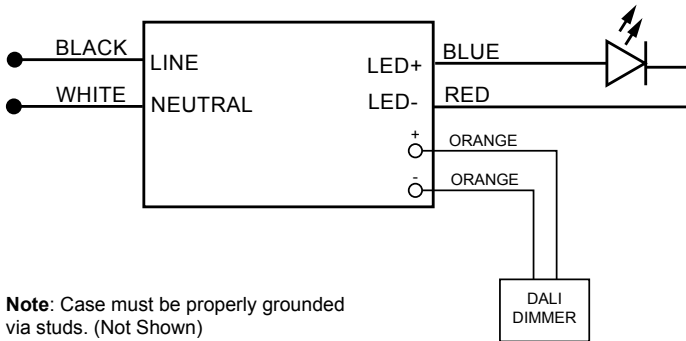
13.25" (L) x 5" (W) x 2.25" (H)
surface mounting any orientation

| Wire gauge | Maximum wiring distance ¹ |
|--------------------------------|--------------------------------------|
| AWG 20 (0.52 mm ²) | 46 ft (14 m) |
| AWG 19 (0.65 mm ²) | 59 ft (18 m) |
| AWG 18 (0.82 mm ²) | 72 ft (22 m) |
| AWG 17 (1.04 mm ²) | 92 ft (28 m) |
| AWG 16 (1.31 mm ²) | 118 ft (36 m) |

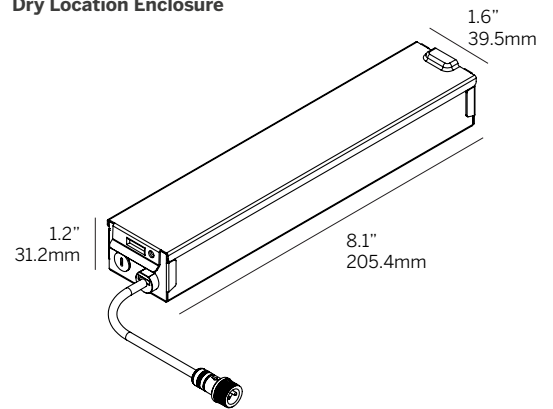
¹Actual distance must be calculated by installer. Must comply with NEC code.

RDALI = eldoLED DALI-2 1% dimming, 120-277V, 22W [spec sheet](#)

Dry Location Enclosure



Note: Case must be properly grounded via studs. (Not Shown)



| Wire gauge | Maximum wiring distance ¹ |
|--------------------------------|--------------------------------------|
| AWG 20 (0.52 mm ²) | 46 ft (14 m) |
| AWG 19 (0.65 mm ²) | 59 ft (18 m) |
| AWG 18 (0.82 mm ²) | 72 ft (22 m) |
| AWG 17 (1.04 mm ²) | 92 ft (28 m) |
| AWG 16 (1.31 mm ²) | 118 ft (36 m) |

¹Actual distance must be calculated by installer. Must comply with NEC code.