

## 2.4" ProTools Downlight Round Cylinder Wall Mount

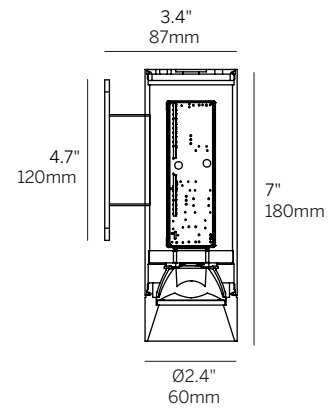
### Small Aperture Cylinder

- Part of a complete family of cylinder downlights for surface or suspended applications.
- Wall mounted 2.4" round cylinder downlight with wide range of beam angles and lens options available to fit a multitude of applications.
- High lumen output and excellent color rendition for all applications. Efficacy up to 140 lumens per watt (delivered).
- UGR < 19 for some configurations to comply with WELL requirements.
- 92+ CRI, 2 step MacAdam Ellipse LEDs standard for Static White and Warm Dim (1800K - 3000K). 95+ CRI optional for Static White.
- Long life L70 55,000 hrs based on LM-80 & TM-21 applicable test data.
- Constant current drivers.
- 0-10V, Phase, Lutron, DALI and DMX dimming options available.
- 5 Year warranty.

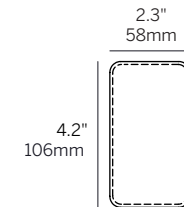
<b>Luminaire</b>	Die-caste aluminum for precision fit and heat dissipation Mounting hardware for all wall types Round open aperture with regressed optical chamber Finishes: White, Black, Silver and custom (housing and reflector)
<b>Mounting</b>	SW - Surface Wall Mount (single gang J-box)
<b>LED</b>	Constant Current, 2 Step MacAdam 92+ CRI (Static White and Warm Dim), or 95+CRI (Static White) Low, Mid or High Power 2700K, 3000K, 3500K, 4000K, Warm Dim (1800 - 3000K)
<b>Beam</b>	15°, 20°, 25°, 35°, 50°
<b>Lens</b>	OA - Open Aperture SOL - Solite Lens LSL - Linear Spread Lens HL - Honeycomb Louver
<b>Driver</b>	Integral drivers for all dimming and non-dimming applications 0-10V, Phase, Lutron, DALI, DMX driver options
<b>Warranty</b>	5-year Limited (see complete company warranty information)
<b>Certifications</b>	ETL and ETL-C for dry and damp location



Surface wall mount (SW)



Surface wall mount (single gang J-box)



## 2.4" ProTools Downlight Round Cylinder Wall Mount

Model	Mounting	Power <sup>1</sup>	CRI	CCT <sup>2</sup>	Driver <sup>3</sup>	Cover	Lens	Beam	Finish	Options
WG-60RPTDL	SW	L M H	92 95	27 30 35 40 WD	S2 SPH2 PEQO DALI RDMX X <sup>4</sup>	RRC	OA SOL LSL HL	15 20 25 35 50	W (std) B S F	EM

### Model

- WG-60RPTDL = 2.4" ProTools Downlight Round Cylinder Wall Mount

### Mounting

- SW = Surface Wall Mount (single gang J-box)

### Power<sup>1</sup>

- L = Low Power, 6.3W @ 350mA
- M = Mid Power, 9W @ 250mA
- H = High Power, 12W @ 350mA

### CRI

- 92 = 92 CRI
- 95 = 95 CRI (n/a for WD)

### CCT<sup>2</sup>

- 27 = 2700K
- 30 = 3000K
- 35 = 3500K
- 40 = 4000K
- WD = Warm Dimming 1800 - 3000K

### Integral Driver<sup>3</sup>

- S2 = standard eldoLED non-dim or 1% 0-10V dimming, 120-277V, 22W
- SPH2 = standard phase (2-wire) 1% dimming, 120V only, 20W (M / H power only)
- PEQO = Lutron Hi-Lume Premier 0.1% EcoSystem, 120-277V, 20W
- DALI = eldoLED DALI-2 1% dimming, 120-277V, 22W

### Remote Driver<sup>4</sup>

- RDMX = eldoLED DMX 0.1% dimming, 120-277V, 30W
- X = No Driver<sup>4</sup>

### Cover

- RRC = Round Recessed Cone

### Lens (one accessory per fixture)

- OA = Open Aperture
- SOL = Solite Lens
- LSL = Linear Spread Lens
- HL = Honeycomb Louver

### Beam

- 15 = 15° Beam Angle (n/a for WD)
- 20 = 20° Beam Angle
- 25 = 25° Beam Angle
- 35 = 35° Beam Angle (40° for WD)
- 50 = 50° Beam Angle

### Housing / Reflector Finish

- W = White, RAL 9003 (standard)
- B = Black, RAL 9017
- S = Silver, RAL 9006
- F = Custom finish, specify RAL code

### Options

- EM = Emergency LED battery backup (remote only)

Powered by **I B L** Whitegoods reserves the right to change any information without prior notice.

### Notes

1. Wattage shown is for LED only, system wattage varies depending on driver selected.
2. See photometric data sheet for delivered lumens.
3. See driver information for details.
4. Refer to driver information page for driver options that can power multiple fixtures.

technical  
information