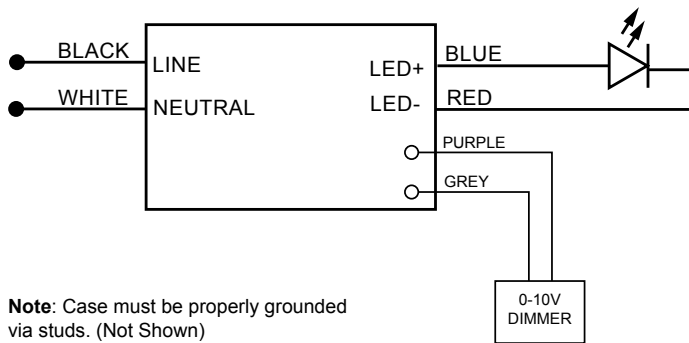


2.4" ProTools Cylinders - Remote driver information

Please refer to driver manufacturer's website for current data sheets and wiring guidelines.

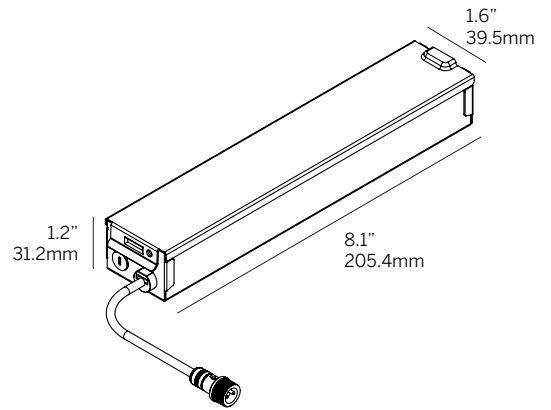
Driver	Wattage	Control	Dimming	FIXTURES PER DRIVER		
				L (6.3W)	M (9W)	H (12W)
RS2	22W	0-10V	1%	1 - 2	1	1
RSPH2	20W	Phase	1%	-	1	1
RPEQ0	20W	EcoSystem	0.1%	1 - 2	1	1
RDMX	30W	DMX	Dim To Off	1 - 2	1	1
RDALI	22W	DALI-2	1%	1 - 2	1	1

RS2 = standard eldoLED non-dim or 1% 0-10V dimming, 120-277V, 22W [spec sheet](#)



Note: Case must be properly grounded via studs. (Not Shown)

Dry Location Enclosure

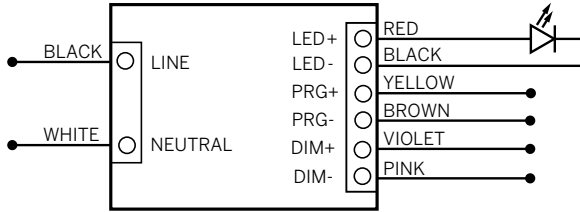


Wire gauge	Maximum wiring distance ¹
AWG 20 (0.52 mm ²)	46 ft (14 m)
AWG 19 (0.65 mm ²)	59 ft (18 m)
AWG 18 (0.82 mm ²)	72 ft (22 m)
AWG 17 (1.04 mm ²)	92 ft (28 m)
AWG 16 (1.31 mm ²)	118 ft (36 m)

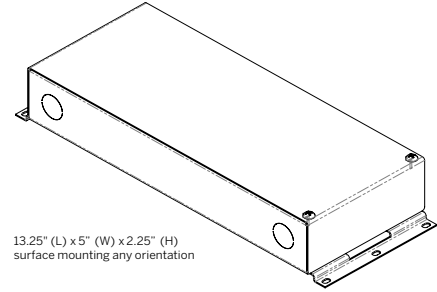
¹ Actual distance must be calculated by installer. Must comply with NEC code.

2.4" ProTools Cylinders - Remote driver information

RSPH2 = standard phase (2-wire) 1% dimming, 120V only, 20W (M / H power only) [spec sheet](#)



Dry Location Enclosure



13.25" (L) x 5" (W) x 2.25" (H)
surface mounting any orientation

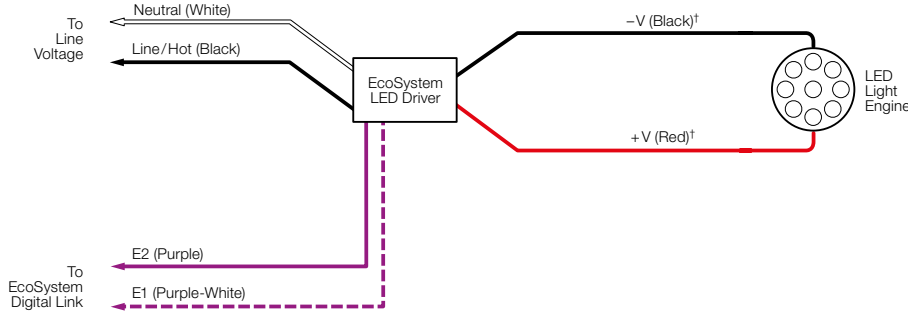
Maximum suggested remote wiring distance is 16'-0" regardless of wire size.

Dimmer/Sensor Compatibility

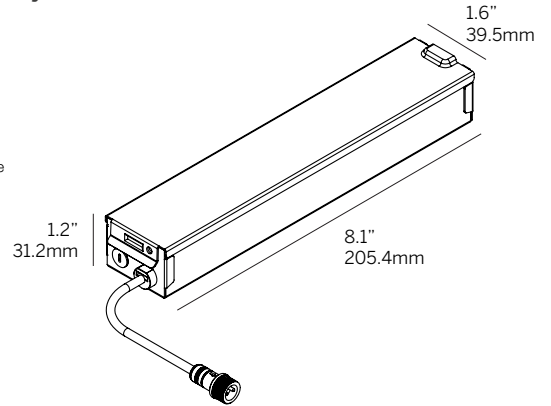
Manufacturer	Model	Type
LUTRON	SCL-153P	Leading Edge (Forward Phase) / TRIAC
LEVITON	6674-P	Leading Edge (Forward Phase) / TRIAC
LUTRON	MACL-153M	Leading Edge (Forward Phase) / TRIAC
LUTRON	DVCL-153P	Leading Edge (Forward Phase) / TRIAC
LUTRON	PD-6WCL	Leading Edge (Forward Phase) / TRIAC
LEGRAND	RHCL453P	Leading Edge (Forward Phase) / TRIAC
LEVITON	IPE04-1LZ	Trailing Edge (Reverse Phase)
LUTRON	DVLV-600P	Trailing Edge (Reverse Phase)
LUTRON	MAELV-600	Trailing Edge (Reverse Phase)
LUTRON	SELV-300P	Trailing Edge (Reverse Phase)
LUTRON	RA2 RRD 6NA 600W	Trailing Edge (Reverse Phase)
LUTRON	DVELV-300P	Trailing Edge (Reverse Phase)

2.4" ProTools Cylinders - Remote driver information

RPEQ0 = Lutron Hi-Lume Premier 0.1% EcoSystem, 120-277V, 20W [spec sheet](#)



Dry Location Enclosure



Compatible Controls: Lutron EcoSystem Digital Controls

Lutron EcoSystem Compatible Controls	Part Number		Drivers per Control		
	120 V~	277 V~	EcoSystem Loops per Control	Drivers per EcoSystem Loop	Maximum Drivers per Control
PowPak Dimming Modules	RMJ-ECO32-DV-B		1	32	32
	FCJ/FCJS-ECO ¹		1	3	3
Energi Savr Node	QSN-1ECO-S	N/A	1	64	64
	QSN-2ECO-S		2	64	128
GRAFIK Eye QS / HomeWorks QS control unit	QSGRJ-_E (wireless) QSGR-_E	N/A	1	64	64
Quantum Hub	QP2-_ _ 2C	N/A	2	64	128
	QP2-_ _ 4C		4	64	256
	QP2-_ _ 6C		6	64	384
	QP2-_ _ 8C		8	64	512

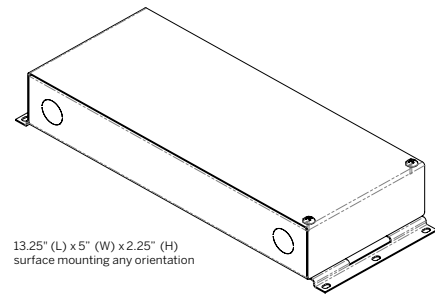
Wire gauge	Maximum lead length ¹
	150 mA to 700 mA
18 AWG (0.75 mm ²)	30 ft (9 m)
16 AWG (1.5 mm ²)	35 ft (10.5 m)
14 AWG (2.5 mm ²)	50 ft (15 m)
12 AWG (4.0 mm ²)	100 ft (30 m)

¹Actual distance must be calculated by installer. Must comply with NEC code.

¹ All devices connected to one FCJ/FCJS-ECO will be controlled together. Devices will dim to the same level as the result of a control command. For more detail on adjusting low-end light level refer to Application Note #556 (048556) at www.lutron.com

RDMX = eldoLED DMX 0.1% dimming, 120-277V, 30W [spec sheet](#)

Dry Location Enclosure

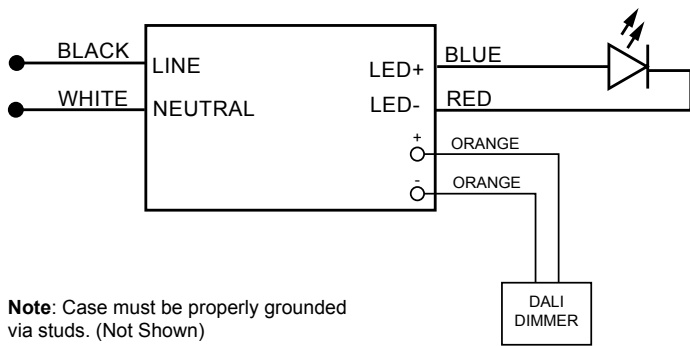


Wire gauge	Maximum wiring distance ¹
AWG 20 (0.52 mm ²)	46 ft (14 m)
AWG 19 (0.65 mm ²)	59 ft (18 m)
AWG 18 (0.82 mm ²)	72 ft (22 m)
AWG 17 (1.04 mm ²)	92 ft (28 m)
AWG 16 (1.31 mm ²)	118 ft (36 m)

¹Actual distance must be calculated by installer. Must comply with NEC code.

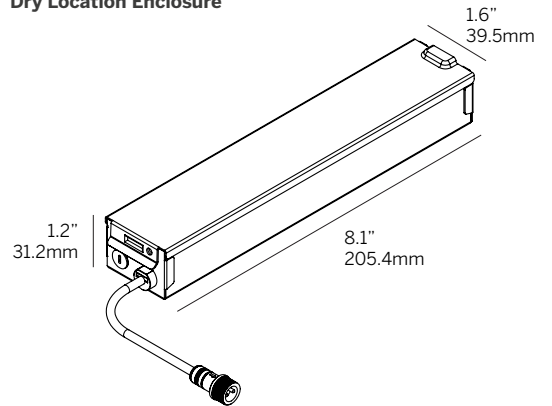
2.4" ProTools Cylinders - Remote driver information

RDALI = eldoLED DALI-2 1% dimming, 120-277V, 22W [spec sheet](#)



Note: Case must be properly grounded via studs. (Not Shown)

Dry Location Enclosure



Wire gauge	Maximum wiring distance ¹
AWG 20 (0.52 mm ²)	46 ft (14 m)
AWG 19 (0.65 mm ²)	59 ft (18 m)
AWG 18 (0.82 mm ²)	72 ft (22 m)
AWG 17 (1.04 mm ²)	92 ft (28 m)
AWG 16 (1.31 mm ²)	118 ft (36 m)

¹Actual distance must be calculated by installer. Must comply with NEC code.