

1.5" ProTools Downlights



whitegoods

whitegoods

Whitegoods has developed a complete range of Downlights which utilize the form factor of LED to reduce even further their visual impact, and of course they all hold true to our constant principles.

Our Philosophy

- Reduction of detail
- Seamless architectural integration
- Logical, modular systems and families of products
- Ease of specification, installation and maintenance



1.5" ProTools Downlights

A complete Family of 1.5" aperture downlights

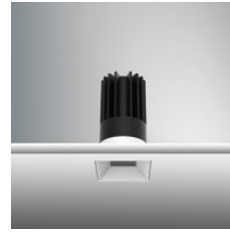
- General illumination allows 6' spacing on 9' ceiling height for 15+FC maintained.
- Very small-aperture, low-brightness downlight for general and accent illumination.
- High-lumen output and excellent color rendition for all applications.
- Multiple housing styles for mounting into all ceiling types.
- Very shallow ceiling depth required for both integral and remote drivers.
- L70 (TM21 Projected 85°C) = Static White 33,300 hours Warm Dim 55,000 hours.
- Downlight UGR <16 meeting WELL Building criteria.



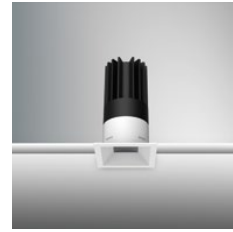
Downlight
Round Recessed
Plaster Trim 17



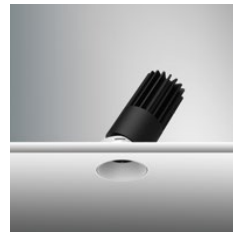
Downlight
Round Recessed
Bezel Trim 17



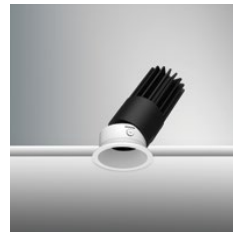
Downlight
Square Recessed
Plaster Trim 19



Downlight
Square Recessed
Bezel Trim 19



Adjustable
Round Recessed
Plaster Trim 21



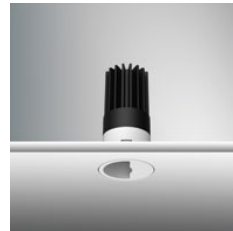
Adjustable
Round Recessed
Bezel Trim 21



Adjustable
Square Recessed
Plaster Trim 23



Adjustable
Square Recessed
Bezel Trim 23



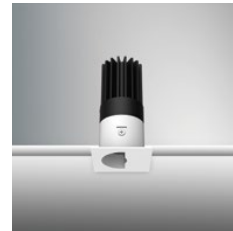
Wallwash
Round Recessed
Plaster Trim 25



Wallwash
Round Recessed
Bezel Trim 25



Wallwash
Square Recessed
Plaster Trim 27



Wallwash
Square Recessed
Bezel Trim 27



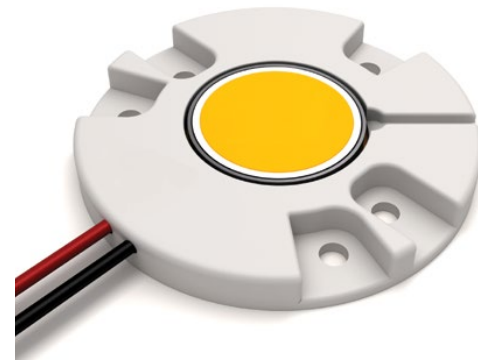
Downlight Round
Suspended Cylinder 29



LED Technology

ProTools Downlights are designed with a flexible LED platform so that the light engine can be easily installed, field exchanged and updated as new technology evolves. ProTools Downlights utilize world-class COB LED devices that deliver consistent performance and the highest quality of light available in a configuration that will work effectively with today's optical systems.

- 380-755 lumen output range.
- 92+ CRI.
- 3 step MacAdam binning.
- Paired with highest quality drivers that deliver flicker-free, full-range dimming.
- Four standard color temperatures from 2700K-4000K.
- Warm-Dim available to emulate incandescent while dimming.
- Compatible with all common dimmer and control standards such as 0-10V, 3-wire, forward-phase with neutral, Lutron and DALI.
- High efficiency design delivers a range of excellent performance characteristics, with output available exceeding 140 lumens per watt.
- 5-year warranty.
- Made in the USA, Stocked in Maryland.



[index](#)





Warm Dim

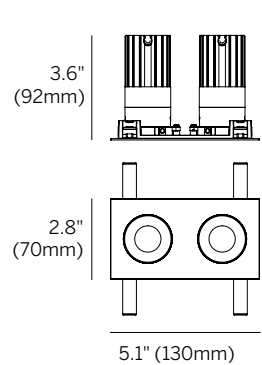
Whitegoods Warm Dim lighting provides LED dim-to-warm technology virtually indistinguishable from an incandescent light source. Designed to precisely mimic the black body curve of a standard 100W A19 lamp by gradually transitioning from 1800K to 3000K.

Color Temperature	Description	Typical Usage
3000K	Neutral Warm	Office, Residential
2700K	Warm: Halogen Incandescent	Residential, Hotel
1800K	Very Warm Incandescent	Residential

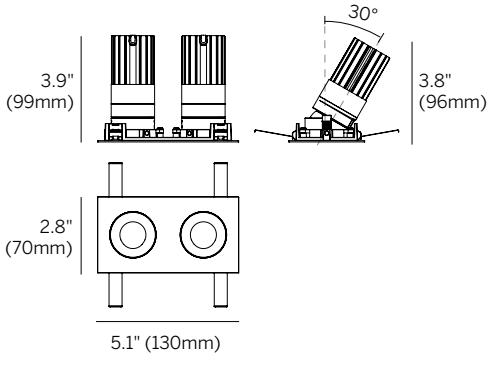


Twin Trim

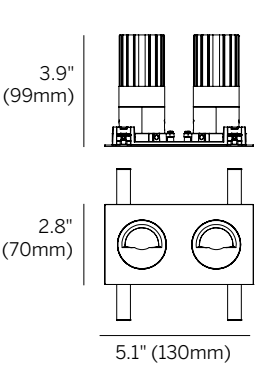
Multiple fixture configurations can be accomplished using the plaster-in twin trim option; available for round downlight, adjustable and wallwash.



Downlight
Round Recessed
Twin Trim (TT)



Adjustable
Round Recessed
Twin Trim (TT)



Wallwash
Round Recessed
Twin Trim (TT)

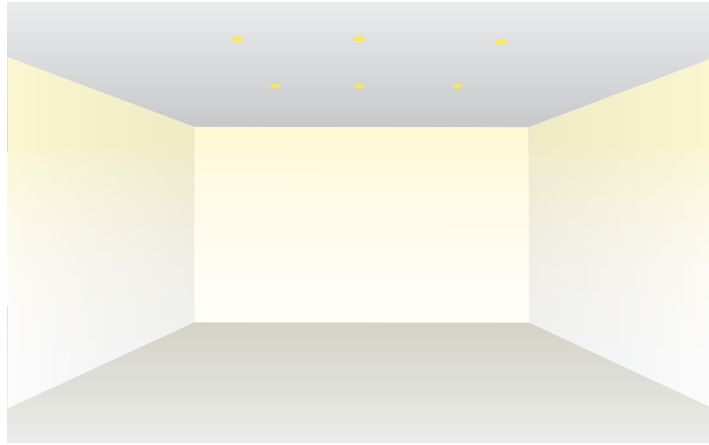


index



Downlight Applications

Downlight



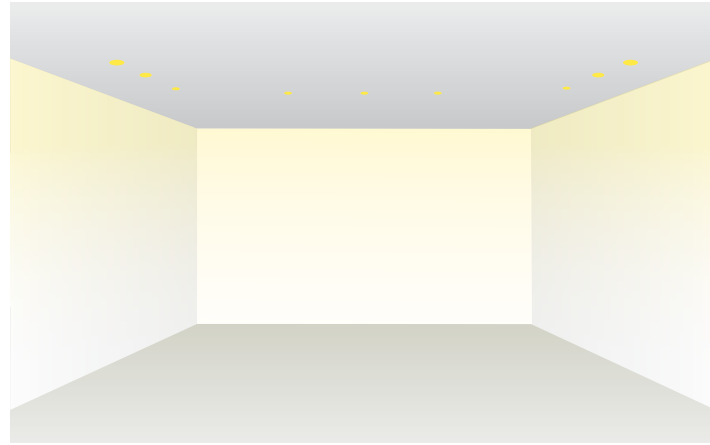
Perhaps the most common lighting solution utilized for general area lighting, arranging a group of lights in a grid to give even illumination to the surface below.

Of course, the popularity of a technique is not always a sign of best practice, and in this case it typically has more to do with economy and ease of implementation.

However, when applied to a space with some consideration it can be an effective technique. One thing to consider for this type of solution is "how much light will fall on the walls?". A space can have a lot of light being delivered into it, but if the walls are not sufficiently illuminated, there is a good chance that the space will feel gloomy, even though there is plenty of light falling on horizontal surfaces like desks or the floor.

Fortunately, Whitegoods 1.5" ProTools Downlights offer a high output, low glare downlighting solution, which can help to deal with this common issue.

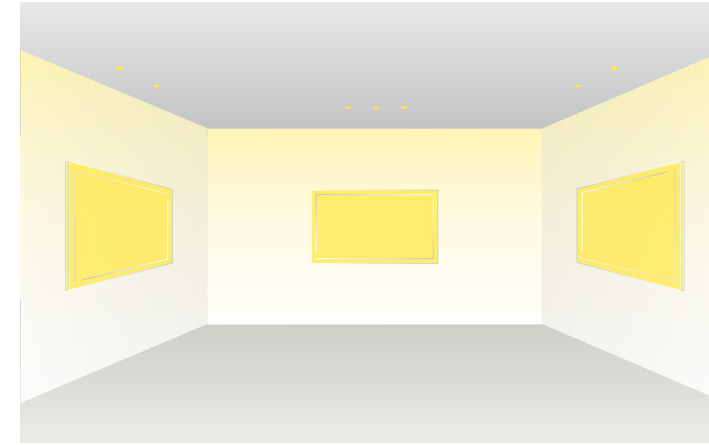
Washlight



The aim of wall washing, or in fact washing any surface with light (wall, ceiling or floor), is to create an even 'wash' of light across the surface. The wall wash is a great way to introduce light into a room as the brightness of the vertical surfaces around us play a crucial role in our perception of a space. You can use linear or point sources, and both will need to emit a wide, even beam of light which is directed towards the wall, to create the effect.

Washlights need to be correctly positioned, both in terms of distance from the wall, and their relative distance to one another. There are helpful guides for this in the Design Guide section of this book. Linear sources also need careful placing in terms of their offset from the wall, and can be used in a continuous format, or as a series of linear elements. A continuous linear source will achieve the most consistent overall effect, although downlights might better suit the architecture or construction method.

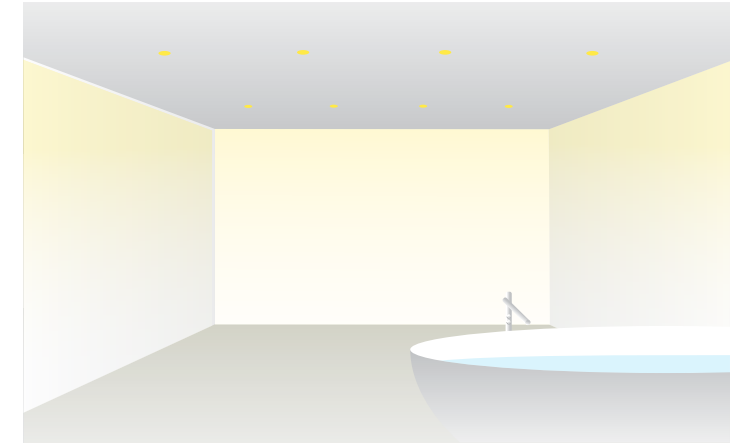
Adjustable



Of course, although considering whole surfaces is a highly effective way to start thinking about light within your project, it is equally possible to think in terms of specific pieces of architecture, art, sculpture, ornamentation or furniture, and treat these as focal objects, drawing the viewers attention to them naturally and simply by highlighting them against their background scenario.

A useful 'rule of thumb' here is that if you allow ten times more light to fall on an object relative to the surrounding light level, it will seem to be 'popping' out of the scene and will tend to draw the eye.

Wet Location



Whitegoods 1.5" ProTools Downlights are available in wet location for use outdoors as well as in showers and other applications where they may be exposed to moisture. Specialized silicon seal rings protect against moisture ingress, and are impervious to degradation caused by UV. See the specific product data sheet for availability on the specific model.



1.5" ProTools Downlight Round Recessed

Very Small Aperture Fixed Downlight

- Part of a complete family of 1.5" aperture matching downlights.
- Very small aperture, low brightness downlight for general and accent illumination.
- High lumen output and excellent color rendition for all applications.
- Multiple housing styles for mounting into all ceiling types.
- Very shallow ceiling depth required for both integral and remote drivers.
- Extremely low brightness downlight with UGR < 16.

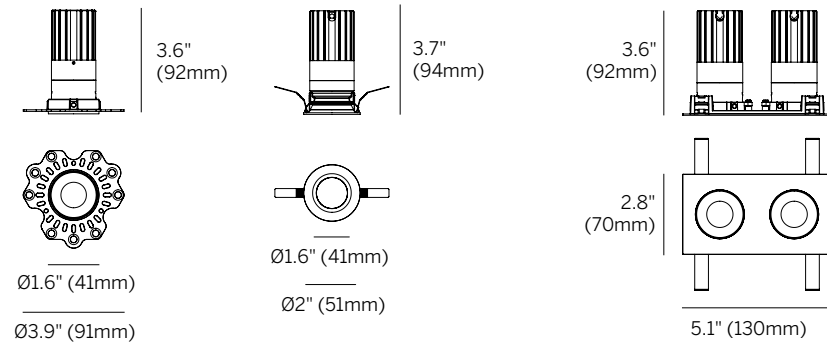
Luminaire	Die-caste aluminum for precision fit and heat dissipation Mounting hardware for all ceiling types; trim and trimless EZ clip mounting for secure installation Round open aperture with minimal ceiling interruption and regressed optical chamber
LED	92+ CRI Mid Power 2700K, 3000K, 3500K, 4000K, Warm Dim (1800K-3000K)
Beam	20°, 25°, 35°, 50°
Driver	Integral and remote drivers for all dimming and non-dimming applications Non-Dim, 0-10V, Phase, Lutron, DALI driver options
Installation	NC - New Construction
Housing	LP - Landing Pan IC - Insulated Ceiling CP - Chicago Plenum Optional No Housing
Warranty	5-year Limited (see complete company warranty information)
Certifications	ETL and ETL-C for dry, damp and optional wet location



Recessed Plaster Trim (RPT)



Recessed Bezel Trim (RBT)



Plaster Trim (RPT) Cutout: Ø2.1" (54mm)
 Bezel Trim (RBT) Cutout: Ø1.8" (45mm)
 Twin Trim (TT) Cutout: 1.4" x 4.7" (60 x 120mm)

index technical information

1.5" ProTools Downlight Round Recessed

Model	Fixation	Power ²	CRI	CCT ³	Driver ^{4,5}	Cover	Beam	Trim Finish	Housing ⁵	Options
WG-40RPTDL	RBT RPT TT ¹	M	92	27 30 35 40 WD	S1 [*] S2 [*] SPH [*] D010 [*] PEQ0 [*] DALI [*]	OA	20 25 35 50	W (std) B S F	NC LP IC CP X ⁶	SOL ⁷ LSL ⁷ HL ⁷ DF WL EM

*Add 'R' for remote driver, ex. 'RS2'

Luminaire

- Part of a complete family of 1.5" aperture matching downlights.
- General illumination allows 6' spacing on 9' ceiling height for 15+FC maintained.
- Very small aperture, low brightness downlight for general and accent illumination.
- High lumen output and excellent color rendition for all applications.
- Multiple housing styles for mounting into all ceiling types.
- Very shallow ceiling depth required for both integral and remote drivers.
- L70 (TM21 Projected 85°C) = Static White 33,300 hours Warm Dim 55,000 hours.

Fixation

- RPT = Recessed Plaster Trim
- RBT = Recessed Bezel Trim
- TT = Twin Trim¹

Power²

- M = Mid Power, 9.1W @ 500mA

CRI

- 92 = 92 CRI
- CCT (Mid)³**
- 27 = 2700K
 - 30 = 3000K
 - 35 = 3500K
 - 40 = 4000K
 - WD = Warm Dimming 1800 - 3000K

Integral Driver NC / IC / CP Housings

Accessible Ceiling^{4,5}

- S1 = standard eldoLED non-dim or 1% 0-10V dimming, 120-277V, 12W
- S2 = standard eldoLED non-dim or 1% 0-10V dimming, 120-277V, 22W
- SPH = standard phase (2-wire) 10% dimming, 120V only, 12W
- D010 = eldoLED 1% 0-10V dimming, 120-277V, 30W
- PEQ0 = Lutron Hi-Lume Premier 0.1% EcoSystem, 120-277V, 20W
- DALI = eldoLED DALI-2 0.1% dimming, 120-277V, 20W

Remote Driver for NC / LP / IC / CP^{4,5}

- RS1 = standard eldoLED non-dim or 1% 0-10V dimming, 120-277V, 12W, for 1 fixture
- RS2 = standard eldoLED non-dim or 1% 0-10V dimming, 120-277V, 22W, for 1-2 fixtures
- RSPH = standard phase (2-wire) 10% dimming, 120V only, 12W, for 1 fixture
- RD010 = eldoLED 0.1% 0-10V dimming, 120-277V, 100W, for 1-8 fixtures
- RPEQ0 = Lutron Hi-Lume Premier 0.1% EcoSystem, 120-277V, 20W, for 1-2 fixtures
- RDALI = eldoLED DALI-2 0.1% dimming, 120-277V, 100W, for 1-4 fixtures

Cover

- OA = Open Aperture

Beam

- 20 = 20° Beam Angle
- 25 = 25° Beam Angle
- 35 = 35° Beam Angle
- 50 = 50° Beam Angle

Trim Finish

- W = White, 15% gloss, RAL 9003 / Tiger Drylac 49/11350 (standard)
- B = Black, 15% gloss, RAL 9005 / Tiger Drylac 044/90053
- S = Silver, 15% gloss, RAL 9006 / Tiger Drylac 49/90500
- F = Custom finish, specify RAL code

Housing⁵

- NC = New Construction Housing (integral driver for accessible ceilings only)
- LP = Landing Pan (for remote driver)
- IC = Insulated Ceiling Housing (integral driver for accessible ceilings only)
- CP = Chicago Plenum Housing (integral driver for accessible ceilings only)
- X = No Housing⁶

Options

- SOL = Solite Lens⁷
- LSL = Linear Spread Lens⁷
- HL = Honeycomb Louver⁷
- DF = Diffusing Film
- WL = Wet location
- EM = Emergency LED battery backup (remote only)

Whitegoods reserves the right to change any information without prior notice.

Notes

- 1 TT Twin Trim will be provided with (2) matching fixtures, unless specified otherwise.
- 2 Wattage shown is for LED only, system wattage varies depending on driver selected.
- 3 See photometric data sheet for delivered lumens.
- 4 See driver information for details.
- 5 Refer to Housings detail page for additional information.
- 6 Fixture can be installed without housing.
- 7 One accessory per fixture.

1.5" ProTools Downlight Square Recessed

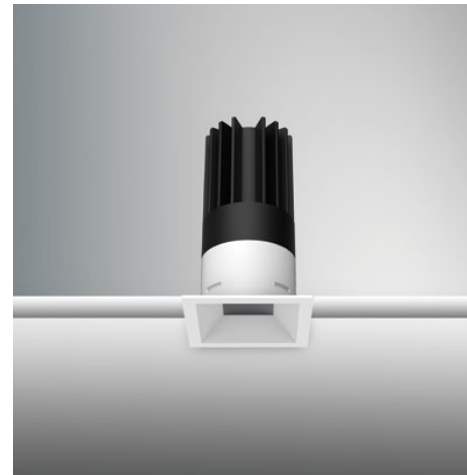
Very Small Aperture Fixed Downlight

- Part of a complete family of 1.5" aperture matching downlights.
- Very small aperture, low brightness downlight for general and accent illumination.
- High lumen output and excellent color rendition for all applications.
- Multiple housing styles for mounting into all ceiling types.
- Very shallow ceiling depth required for both integral and remote drivers.
- Extremely low brightness downlight with UGR < 16.

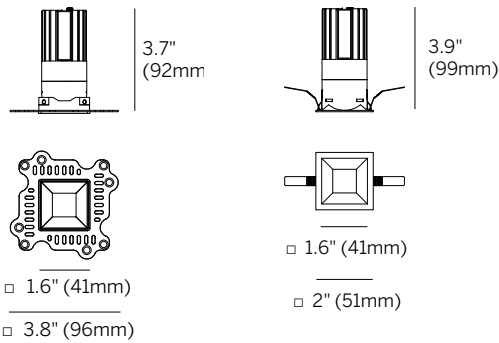
Luminaire	Die-caste aluminum for precision fit and heat dissipation Mounting hardware for all ceiling types; trim and trimless EZ clip mounting for secure installation Round open aperture with minimal ceiling interruption and regressed optical chamber
LED	92+ CRI Mid Power 2700K, 3000K, 3500K, 4000K, Warm Dim (1800K-3000K)
Beam	20°, 25°, 35°, 50°
Driver	Integral and remote drivers for all dimming and non-dimming applications Non-Dim, 0-10V, Phase, Lutron, DALI driver options
Installation	NC - New Construction
Housing	LP - Landing Pan IC - Insulated Ceiling CP - Chicago Plenum Optional No Housing
Warranty	5-year Limited (see complete company warranty information)
Certifications	ETL and ETL-C for dry, damp and optional wet location



Recessed Plaster Trim (RPT)



Recessed Bezel Trim (RBT)



Plaster Trim (RPT)
Cutout: □ 2" (50mm)

Bezel Trim (RBT)
Cutout: □ 1.8" (46mm)

1.5" ProTools Downlight Square Recessed

Model	Fixation	Power ¹	CRI	CCT ²	Driver ^{3,4}	Cover	Beam	Trim Finish	Housing ⁴	Options
WG-40SPTDL	RBT RPT	M	92	27 30 35 40 WD	S1* S2* SPH* D010* PEQO* DALI*	OA	20 25 35 50	W (std) B S F	NC LP IC CP X ⁵	SOL ⁶ LSL ⁶ HL ⁶ DF WL EM

*Add 'R' for remote driver, ex. 'RS2'

Luminaire

- Part of a complete family of 1.5" aperture matching downlights.
- General illumination allows 6' spacing on 9' ceiling height for 15+FC maintained.
- Very small aperture, low brightness downlight for general and accent illumination.
- High lumen output and excellent color rendition for all applications.
- Multiple housing styles for mounting into all ceiling types.
- Very shallow ceiling depth required for both integral and remote drivers.
- L70 (TM21 Projected 85°C) = Static White 33,300 hours Warm Dim 55,000 hours.

Fixation

- RPT = Recessed Plaster Trim
- RBT = Recessed Bezel Trim

Power¹

- M = Mid Power, 9.1W @ 500mA

CRI

- 92 = 92 CRI

CCT (Mid)²

- 27 = 2700K
- 30 = 3000K
- 35 = 3500K
- 40 = 4000K
- WD = Warm Dimming 1800 - 3000K

Integral Driver NC / IC / CP Housings

Accessible Ceiling^{3,4}

- S1 = standard eldoLED non-dim or 1% 0-10V dimming, 120-277V, 12W
- S2 = standard eldoLED non-dim or 1% 0-10V dimming, 120-277V, 22W
- SPH = standard phase (2-wire) 10% dimming, 120V only, 12W
- D010 = eldoLED 1% 0-10V dimming, 120-277V, 30W
- PEQO = Lutron Hi-Lume Premier 0.1% EcoSystem, 120-277V, 20W
- DALI = eldoLED DALI-2 0.1% dimming, 120-277V, 20W

Remote Driver for NC / LP / IC / CP^{3,4}

- RS1 = standard eldoLED non-dim or 1% 0-10V dimming, 120-277V, 12W, for 1 fixture
- RS2 = standard eldoLED non-dim or 1% 0-10V dimming, 120-277V, 22W, for 1-2 fixtures
- RSPH = standard phase (2-wire) 10% dimming, 120V only, 12W, for 1 fixture
- RD010 = eldoLED 0.1% 0-10V dimming, 120-277V, 100W, for 1-8 fixtures
- RPEQO = Lutron Hi-Lume Premier 0.1% EcoSystem, 120-277V, 20W, for 1-2 fixtures
- RDALI = eldoLED DALI-2 0.1% dimming, 120-277V, 100W, for 1-4 fixtures

Cover

- OA = Open Aperture

Beam

- 20 = 20° Beam Angle
- 25 = 25° Beam Angle
- 35 = 35° Beam Angle
- 50 = 50° Beam Angle

Trim Finish

- W = White, 15% gloss, RAL 9003 / Tiger Drylac 49/11350 (standard)
- B = Black, 15% gloss, RAL 9005 / Tiger Drylac 044/90053
- S = Silver, 15% gloss, RAL 9006 / Tiger Drylac 49/90500
- F = Custom finish, specify RAL code

Housing⁴

- NC = New Construction Housing (integral driver for accessible ceilings only)
- LP = Landing Pan (for remote driver)
- IC = Insulated Ceiling Housing (integral driver for accessible ceilings only)
- CP = Chicago Plenum Housing (integral driver for accessible ceilings only)
- X = No Housing⁵

Options

- SOL = Solite Lens⁶
- LSL = Linear Spread Lens⁶
- HL = Honeycomb Louver⁶
- DF = Diffusing Film
- WL = Wet location
- EM = Emergency LED battery backup (remote only)

Whitegoods reserves the right to change any information without prior notice.

Notes

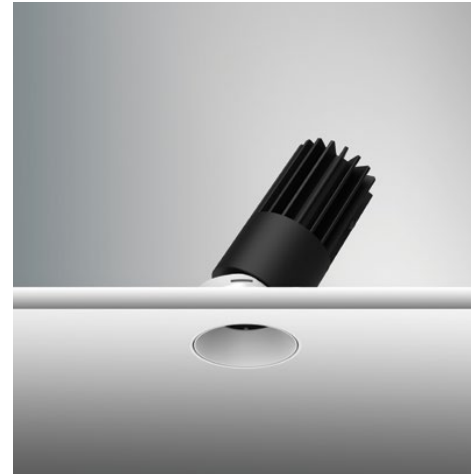
1. Wattage shown is for LED only, system wattage varies depending on driver selected.
2. See photometric data sheet for delivered lumens.
3. See driver information for details.
4. Refer to Housings detail page for additional information.
5. Fixture can be installed without housing.
6. One accessory per fixture.



1.5" ProTools Adjustable Round Recessed

Very Small Aperture Adjustable Downlight

- Part of a complete family of 1.5" aperture matching downlights.
- Very small aperture, low brightness downlight for general and accent illumination.
- High lumen output and excellent color rendition for all applications.
- Multiple housing styles for mounting into all ceiling types.
- Very shallow ceiling depth required for both integral and remote drivers.
- 30 degree adjustability, 365 degree rotation.

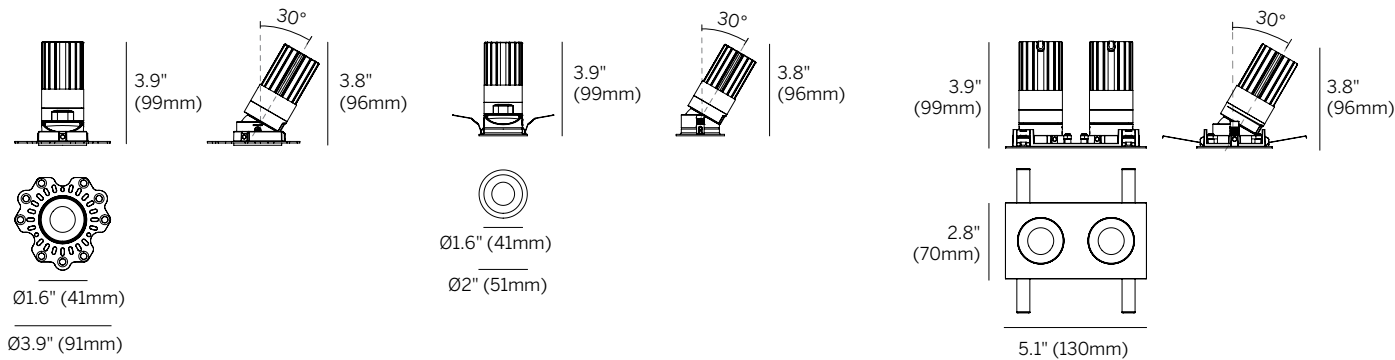


Recessed Plaster Trim (RPT)



Recessed Bezel Trim (RBT)

Luminaire	Die-caste aluminum for precision fit and heat dissipation Mounting hardware for all ceiling types; trim and trimless EZ clip mounting for secure installation Round open aperture with minimal ceiling interruption and regressed optical chamber
LED	92+ CRI Mid Power 2700K, 3000K, 3500K, 4000K, Warm Dim (1800K-3000K)
Beam	20°, 25°, 35°, 50°
Driver	Integral and remote drivers for all dimming and non-dimming applications Non-Dim, 0-10V, Phase, Lutron, DALI driver options
Installation	NC - New Construction
Housing	LP - Landing Pan IC - Insulated Ceiling CP - Chicago Plenum Optional No Housing
Warranty	5-year Limited (see complete company warranty information)
Certifications	ETL and ETL-C for dry and damp location



Plaster Trim (RPT)
Cutout: □ 2.1" (50mm)

Bezel Trim (RBT)
Cutout: □ 1.8" (45mm)

Twin Trim (TT)
Cutout: 1.4" x 4.7"
(60 x 120mm)

1.5" ProTools Adjustable Round Recessed

Model	Fixation	Power ²	CRI	CCT ³	Driver ^{4,5}	Cover	Beam	Trim Finish	Housing ⁵	Options
WG-40RPTA	RBT RPT TT ¹	M	92	27 30 35 40 WD	S1* S2* SPH* D010* PEQ0* DALI*	OA	20 25 35 50	W (std) B S F	NC LP IC CP X ⁶	SOL ⁷ LSL ⁷ HL ⁷ DF EM

*Add 'R' for remote driver, ex. 'RS2'

Luminaire

- Part of a complete family of 1.5" aperture matching downlights.
- General illumination allows 6' spacing on 9' ceiling height for 15+FC maintained.
- Very small aperture, low brightness downlight for general and accent illumination.
- High lumen output and excellent color rendition for all applications.
- Multiple housing styles for mounting into all ceiling types.
- Very shallow ceiling depth required for both integral and remote drivers.
- L70 (TM21 Projected 85°C) = Static White 33,300 hours Warm Dim 55,000 hours.

Fixation

- RPT = Recessed Plaster Trim
- RBT = Recessed Bezel Trim
- TT = Twin Trim¹

Power²

- M = Mid Power, 9.1W @ 500mA

CRI

- 92 = 92 CRI
- 27 = 2700K
- 30 = 3000K
- 35 = 3500K
- 40 = 4000K
- WD = Warm Dimming 1800 - 3000K

Integral Driver NC / IC / CP Housings

- Accessible Ceiling^{4,5}
- S1 = standard eldoLED non-dim or 1% 0-10V dimming, 120-277V, 12W
- S2 = standard eldoLED non-dim or 1% 0-10V dimming, 120-277V, 22W
- SPH = standard phase (2-wire) 10% dimming, 120V only, 12W
- D010 = eldoLED 1% 0-10V dimming, 120-277V, 30W
- PEQ0 = Lutron Hi-Lume Premier 0.1% EcoSystem, 120-277V, 20W
- DALI = eldoLED DALI-2 0.1% dimming, 120-277V, 20W

Remote Driver for NC / LP / IC / CP^{4,5}

- RS1 = standard eldoLED non-dim or 1% 0-10V dimming, 120-277V, 12W, for 1 fixture
- RS2 = standard eldoLED non-dim or 1% 0-10V dimming, 120-277V, 22W, for 1-2 fixtures
- RSPH = standard phase (2-wire) 10% dimming, 120V only, 12W, for 1 fixture
- RD010 = eldoLED 0.1% 0-10V dimming, 120-277V, 100W, for 1-8 fixtures
- RPEQ0 = Lutron Hi-Lume Premier 0.1% EcoSystem, 120-277V, 20W, for 1-2 fixtures
- RDALI = eldoLED DALI-2 0.1% dimming, 120-277V, 100W, for 1-4 fixtures

Cover

- OA = Open Aperture

Beam

- 20 = 20° Beam Angle
- 25 = 25° Beam Angle
- 35 = 35° Beam Angle
- 50 = 50° Beam Angle

Trim Finish

- W = White, 15% gloss, RAL 9003 / Tiger Drylac 49/11350 (standard)
- B = Black, 15% gloss, RAL 9005 / Tiger Drylac 044/90053
- S = Silver, 15% gloss, RAL 9006 / Tiger Drylac 49/90500
- F = Custom finish, specify RAL code

Housing⁵

- NC = New Construction Housing (integral driver for accessible ceilings only)
- LP = Landing Pan (for remote driver)
- IC = Insulated Ceiling Housing (integral driver for accessible ceilings only)
- CP = Chicago Plenum Housing (integral driver for accessible ceilings only)
- X = No Housing⁶

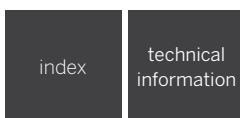
Options

- SOL = Solite Lens⁷
- LSL = Linear Spread Lens⁷
- HL = Honeycomb Louver⁷
- DF = Diffusing Film
- EM = Emergency LED battery backup (remote only)

Whitegoods reserves the right to change any information without prior notice.

Notes

1. TT Twin Trim will be provided with (2) matching fixtures, unless specified otherwise.
2. Wattage shown is for LED only, system wattage varies depending on driver selected.
3. See photometric data sheet for delivered lumens.
4. See driver information for details.
5. Refer to Housings detail page for additional information.
6. Fixture can be installed without housing.
7. One accessory per fixture.

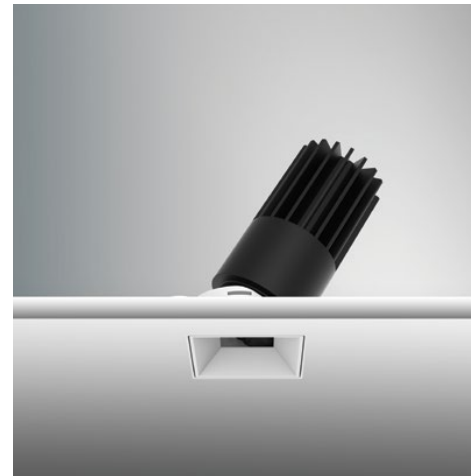


1.5" ProTools Adjustable Square Recessed

Very Small Aperture Adjustable Downlight

- Part of a complete family of 1.5" aperture matching downlights.
- Very small aperture, low brightness downlight for general and accent illumination.
- High lumen output and excellent color rendition for all applications.
- Multiple housing styles for mounting into all ceiling types.
- Very shallow ceiling depth required for both integral and remote drivers.
- 30 degree adjustability, 365 degree rotation.

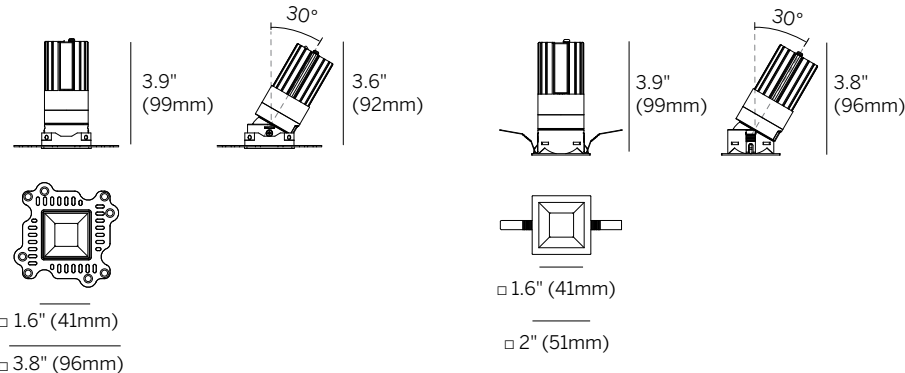
Luminaire	Die-caste aluminum for precision fit and heat dissipation Mounting hardware for all ceiling types; trim and trimless EZ clip mounting for secure installation Round open aperture with minimal ceiling interruption and regressed optical chamber
LED	92+ CRI Mid Power 2700K, 3000K, 3500K, 4000K, Warm Dim (1800K-3000K)
Beam	20°, 25°, 35°, 50°
Driver	Integral and remote drivers for all dimming and non-dimming applications Non-Dim, 0-10V, Phase, Lutron, DALI driver options
Installation	NC - New Construction
Housing	LP - Landing Pan IC - Insulated Ceiling CP - Chicago Plenum Optional No Housing
Warranty	5-year Limited (see complete company warranty information)
Certifications	ETL and ETL-C for dry and damp location



Recessed Plaster Trim (RPT)



Recessed Bezel Trim (RBT)



Plaster Trim (RPT)
Cutout: □ 2" (50mm)

Bezel Trim (RBT)
Cutout: □ 1.8" (46mm)

technical information

1.5" ProTools Adjustable Square Recessed

Model	Fixation	Power ¹	CRI	CCT ²	Driver ^{3,4}	Cover	Beam	Trim Finish	Housing ⁴	Options
WG-40SPTA	RBT RPT	M	92	27 30 35 40 WD	S1* S2* SPH* D010* PEQ0* DALI*	OA	20 25 35 50	W (std) B S F	NC LP IC CP X ⁵	SOL ⁶ LSL ⁶ HL ⁶ DF EM

*Add 'R' for remote driver, ex. 'RS2'

Luminaire

- Part of a complete family of 1.5" aperture matching downlights.
- General illumination allows 6' spacing on 9' ceiling height for 15+FC maintained.
- Very small aperture, low brightness downlight for general and accent illumination.
- High lumen output and excellent color rendition for all applications.
- Multiple housing styles for mounting into all ceiling types.
- Very shallow ceiling depth required for both integral and remote drivers.
- L70 (TM21 Projected 85°C) = Static White 33,300 hours Warm Dim 55,000 hours.

Fixation

- RPT = Recessed Plaster Trim
- RBT = Recessed Bezel Trim

Power¹

- M = Mid Power, 9.1W @ 500mA

CRI

- 92 = 92 CRI

CCT (Mid)²

- 27 = 2700K
- 30 = 3000K
- 35 = 3500K
- 40 = 4000K
- WD = Warm Dimming 1800 - 3000K

Integral Driver NC / IC / CP Housings

Accessible Ceiling^{3,4}

- S1 = standard eldoLED non-dim or 1% 0-10V dimming, 120-277V, 12W
- S2 = standard eldoLED non-dim or 1% 0-10V dimming, 120-277V, 22W
- SPH = standard phase (2-wire) 10% dimming, 120V only, 12W
- D010 = eldoLED 1% 0-10V dimming, 120-277V, 30W
- PEQ0 = Lutron Hi-Lume Premier 0.1% EcoSystem, 120-277V, 20W
- DALI = eldoLED DALI-2 0.1% dimming, 120-277V, 20W

Remote Driver for NC / LP / IC / CP^{3,4}

- RS1 = standard eldoLED non-dim or 1% 0-10V dimming, 120-277V, 12W, for 1 fixture
- RS2 = standard eldoLED non-dim or 1% 0-10V dimming, 120-277V, 22W, for 1-2 fixtures
- RSPH = standard phase (2-wire) 10% dimming, 120V only, 12W, for 1 fixture
- RD010 = eldoLED 0.1% 0-10V dimming, 120-277V, 100W, for 1-8 fixtures
- RPEQ0 = Lutron Hi-Lume Premier 0.1% EcoSystem, 120-277V, 20W, for 1-2 fixtures
- RDALI = eldoLED DALI-2 0.1% dimming, 120-277V, 100W, for 1-4 fixtures

Cover

- OA = Open Aperture

Beam

- 20 = 20° Beam Angle
- 25 = 25° Beam Angle
- 35 = 35° Beam Angle
- 50 = 50° Beam Angle

Trim Finish

- W = White, 15% gloss, RAL 9003 / Tiger Drylac 49/11350 (standard)
- B = Black, 15% gloss, RAL 9005 / Tiger Drylac 044/90053
- S = Silver, 15% gloss, RAL 9006 / Tiger Drylac 49/90500
- F = Custom finish, specify RAL code

Housing⁴

- NC = New Construction Housing (integral driver for accessible ceilings only)
- LP = Landing Pan (for remote driver)
- IC = Insulated Ceiling Housing (integral driver for accessible ceilings only)
- CP = Chicago Plenum Housing (integral driver for accessible ceilings only)
- X = No Housing⁵

Options

- SOL = Solite Lens⁶
- LSL = Linear Spread Lens⁶
- HL = Honeycomb Louver⁶
- DF = Diffusing Film
- EM = Emergency LED battery backup (remote only)

Whitegoods reserves the right to change any information without prior notice.

Notes

1. Wattage shown is for LED only, system wattage varies depending on driver selected.
2. See photometric data sheet for delivered lumens.
3. See driver information for details.
4. Refer to Housings detail page for additional information.
5. Fixture can be installed without housing.
6. One accessory per fixture.



1.5" ProTools Wallwash Round Recessed

Very Small Aperture Wallwash

- Part of a complete family of 1.5" aperture matching downlights.
- Small aperture, low brightness wallwash.
- High lumen output and excellent color rendition for all applications.
- Multiple housing styles for mounting into all ceiling types.
- Very shallow ceiling depth required for both integral and remote drivers.

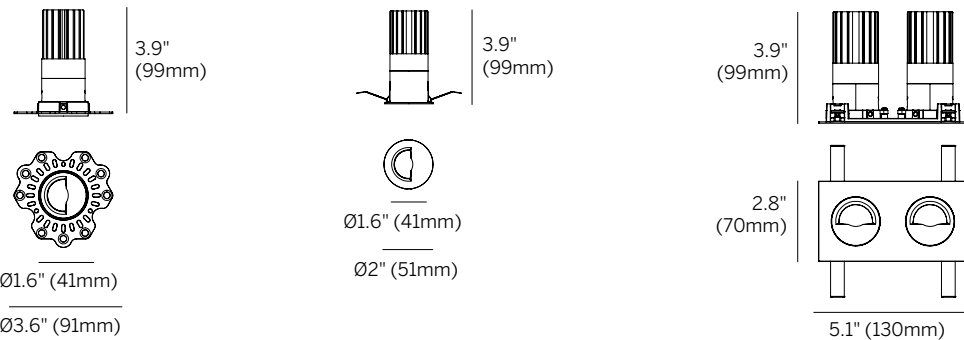


Recessed Plaster Trim (RPT)



Recessed Bezel Trim (RBT)

Luminaire	Die-caste aluminum for precision fit and heat dissipation Mounting hardware for all ceiling types; trim and trimless EZ clip mounting for secure installation Round open aperture with minimal ceiling interruption and regressed optical chamber
LED	92+ CRI Mid Power 2700K, 3000K, 3500K, 4000K, Warm Dim (1800K-3000K)
Beam	Wallwash
Driver	Integral and remote drivers for all dimming and non-dimming applications Non-Dim, 0-10V, Phase, Lutron, DALI driver options
Installation	NC - New Construction
Housing	LP - Landing Pan IC - Insulated Ceiling CP - Chicago Plenum Optional No Housing
Warranty	5-year Limited (see complete company warranty information)
Certifications	ETL and ETL-C for dry, damp and optional wet location



Plaster Trim (RPT)
Cutout: Ø2.1" (54mm)

Bezel Trim (RBT)
Cutout: Ø1.8" (45mm)

Twin Trim (TT)
Cutout: 1.4" x 4.7"
(60 x 120mm)

[index](#) [technical information](#)

1.5" ProTools Wallwash Round Recessed

Model	Fixation	Power ²	CRI	CCT ³	Driver ^{4,5}	Cover	Beam	Trim Finish	Housing ⁵	Options
WG-40RPTWW	RBT RPT TT ¹	M	92	27 30 35 40 WD	S1* S2* SPH* D010* PEQO* DALI*	RWW	WW	W (std) B S F	NC LP IC CP X ⁶	WL EM

*Add 'R' for remote driver, ex. 'RS2'

Luminaire

- Part of a complete family of 1.5" aperture matching downlights.
- Small aperture, low brightness wallwash.
- Even illumination on 9' wall height with 18"-24" setback and 24"-36" spacing.
- High lumen output and excellent color rendition.
- Multiple housing styles for all mounting applications.
- Very shallow ceiling depth.
- L70 (TM21 Projected 85°C) = Static White 33,300 hours Warm Dim 55,000 hours.

Fixation

- RPT = Recessed Plaster Trim
- RBT = Recessed Bezel Trim
- TT = Twin Trim¹

Power²

- M = Mid Power, 9.1W @ 500mA

CRI

- 92 = 92 CRI

CCT (Mid)³

- 27 = 2700K
- 30 = 3000K
- 35 = 3500K
- 40 = 4000K
- WD = Warm Dimming 1800 - 3000K

Integral Driver NC / IC / CP Housings

Accessible Ceiling^{4,5}

- S1 = standard eldoLED non-dim or 1% 0-10V dimming, 120-277V, 12W
- S2 = standard eldoLED non-dim or 1% 0-10V dimming, 120-277V, 22W
- SPH = standard phase (2-wire) 10% dimming, 120V only, 12W
- D010 = eldoLED 1% 0-10V dimming, 120-277V, 30W
- PEQO = Lutron Hi-Lume Premier 0.1% EcoSystem, 120-277V, 20W
- DALI = eldoLED DALI-2 0.1% dimming, 120-277V, 20W

Remote Driver for NC / LP / IC / CP^{4,5}

- RS1 = standard eldoLED non-dim or 1% 0-10V dimming, 120-277V, 12W, for 1 fixture
- RS2 = standard eldoLED non-dim or 1% 0-10V dimming, 120-277V, 22W, for 1-2 fixtures
- RSPH = standard phase (2-wire) 10% dimming, 120V only, 12W, for 1 fixture
- RD010 = eldoLED 0.1% 0-10V dimming, 120-277V, 100W, for 1-8 fixtures
- RPEQO = Lutron Hi-Lume Premier 0.1% EcoSystem, 120-277V, 20W, for 1-2 fixtures
- RDALI = eldoLED DALI-2 0.1% dimming, 120-277V, 100W, for 1-4 fixtures

Cover

- RWW = Round Wallwash

Beam

- WW = Wallwash

Trim Finish

- W = White, 15% gloss, RAL 9003 / Tiger Drylac 49/11350 (standard)
- B = Black, 15% gloss, RAL 9005 / Tiger Drylac 044/90053
- S = Silver, 15% gloss, RAL 9006 / Tiger Drylac 49/90500
- F = Custom finish, specify RAL code

Housing⁵

- NC = New Construction Housing (integral driver for accessible ceilings only)
- LP = Landing Pan (for remote driver)
- IC = Insulated Ceiling Housing (integral driver for accessible ceilings only)
- CP = Chicago Plenum Housing (integral driver for accessible ceilings only)
- X = No Housing⁵

Options

- WL = Wet location
- EM = Emergency LED battery backup (remote only)

Whitegoods reserves the right to change any information without prior notice.

Notes

1. TT Twin Trim will be provided with (2) matching fixtures, unless specified otherwise.
2. Wattage shown is for LED only, system wattage varies depending on driver selected.
3. See photometric data sheet for delivered lumens.
4. See driver information for details.
5. Refer to Housings detail page for additional information.
6. Fixture can be installed without housing.

1.5" ProTools Wallwash Square Recessed

Very Small Aperture Wallwash

- Part of a complete family of 1.5" aperture matching downlights.
- Small aperture, low brightness wallwash.
- High lumen output and excellent color rendition for all applications.
- Multiple housing styles for mounting into all ceiling types.
- Very shallow ceiling depth required for both integral and remote drivers.

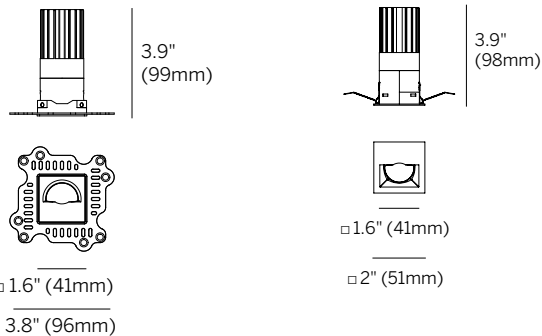


Recessed Plaster Trim (RPT)



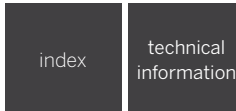
Recessed Bezel Trim (RBT)

Luminaire	Die-caste aluminum for precision fit and heat dissipation Mounting hardware for all ceiling types; trim and trimless EZ clip mounting for secure installation Round open aperture with minimal ceiling interruption and regressed optical chamber
LED	92+ CRI Mid Power 2700K, 3000K, 3500K, 4000K, Warm Dim (1800K-3000K)
Beam	Wallwash
Driver	Integral and remote drivers for all dimming and non-dimming applications Non-Dim, 0-10V, Phase, Lutron, DALI driver options
Installation	NC - New Construction
Housing	LP - Landing Pan IC - Insulated Ceiling CP - Chicago Plenum Optional No Housing
Warranty	5-year Limited (see complete company warranty information)
Certifications	ETL and ETL-C for dry, damp and optional wet location



Plaster Trim (RPT)
Cutout: □ 2" (50mm)

Bezel Trim (RBT)
Cutout: □ 1.8" (46mm)



1.5" ProTools Wallwash Square Recessed

Model	Fixation	Power ¹	CRI	CCT ²	Driver ^{3,4}	Cover	Beam	Trim Finish	Housing ⁴	Options
WG-40SPTWW	RBT RPT	M	92	27 30 35 40 WD	S1* S2* SPH* D010* PEQ0* DALI*	SWW	WW	W (std) B S F	NC LP IC CP X ⁵	WL EM

*Add 'R' for remote driver, ex. 'RS2'

Luminaire

- Part of a complete family of 1.5" aperture matching downlights.
- Small aperture, low brightness wallwash.
- Even illumination on 9' wall height with 18"-24" setback and 24"-36" spacing.
- High lumen output and excellent color rendition.
- Multiple housing styles for all mounting applications.
- Very shallow ceiling depth.
- L70 (TM21 Projected 85°C) = Static White 33,300 hours Warm Dim 55,000 hours.

Fixation

- RPT = Recessed Plaster Trim
- RBT = Recessed Bezel Trim

Power¹

- M = Mid Power, 9.1W @ 500mA

CRI

- 92 = 92 CRI

CCT (Mid)²

- 27 = 2700K
- 30 = 3000K
- 35 = 3500K
- 40 = 4000K
- WD = Warm Dimming 1800 - 3000K

Integral Driver NC / IC / CP Housings

Accessible Ceiling^{3,4}

- S1 = standard eldoLED non-dim or 1% 0-10V dimming, 120-277V, 12W
- S2 = standard eldoLED non-dim or 1% 0-10V dimming, 120-277V, 22W
- SPH = standard phase (2-wire) 10% dimming, 120V only, 12W
- D010 = eldoLED 1% 0-10V dimming, 120-277V, 30W
- PEQ0 = Lutron Hi-Lume Premier 0.1% EcoSystem, 120-277V, 20W
- DALI = eldoLED DALI-2 0.1% dimming, 120-277V, 20W

Remote Driver for NC / LP / IC / CP^{3,4}

- RS1 = standard eldoLED non-dim or 1% 0-10V dimming, 120-277V, 12W, for 1 fixture
- RS2 = standard eldoLED non-dim or 1% 0-10V dimming, 120-277V, 22W, for 1-2 fixtures
- RSPH = standard phase (2-wire) 10% dimming, 120V only, 12W, for 1 fixture
- RD010 = eldoLED 0.1% 0-10V dimming, 120-277V, 100W, for 1-8 fixtures
- RPEQ0 = Lutron Hi-Lume Premier 0.1% EcoSystem, 120-277V, 20W, for 1-2 fixtures
- RDALI = eldoLED DALI-2 0.1% dimming, 120-277V, 100W, for 1-4 fixtures

Cover

- SWW = Square Wallwash

Beam

- WW = Wallwash

Trim Finish

- W = White, 15% gloss, RAL 9003 / Tiger Drylac 49/11350 (standard)
- B = Black, 15% gloss, RAL 9005 / Tiger Drylac 044/90053
- S = Silver, 15% gloss, RAL 9006 / Tiger Drylac 49/90500
- F = Custom finish, specify RAL code

Housing⁴

- NC = New Construction Housing (integral driver for accessible ceilings only)
- LP = Landing Pan (for remote driver)
- IC = Insulated Ceiling Housing (integral driver for accessible ceilings only)
- CP = Chicago Plenum Housing (integral driver for accessible ceilings only)
- X = No Housing⁵

Options

- WL = Wet location
- EM = Emergency LED battery backup (remote only)

Whitegoods reserves the right to change any information without prior notice.

Notes

1. Wattage shown is for LED only, system wattage varies depending on driver selected.
2. See photometric data sheet for delivered lumens.
3. See driver information for details.
4. Refer to Housings detail page for additional information.
5. Fixture can be installed without housing.



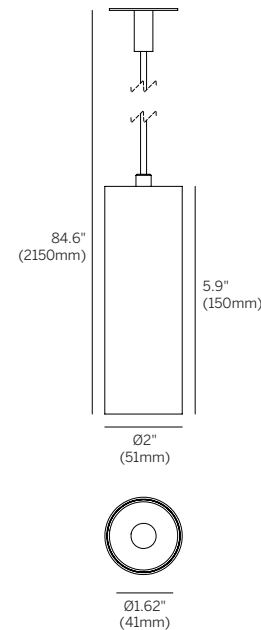
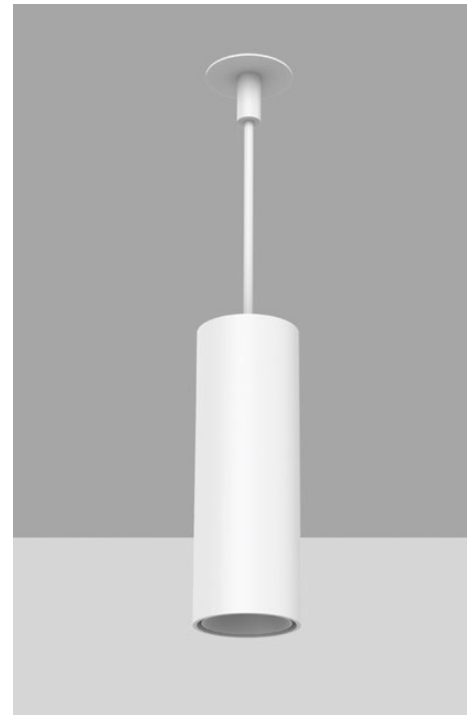
1.5" ProTools Downlight

Round Suspended Cylinder

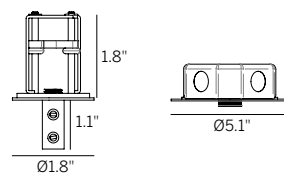
Very Small Aperture Suspended Cylinder

- 2" diameter suspended luminaire for general and accent illumination.
- Part of a complete family of 1.5" aperture matching downlights.
- Very small aperture, low brightness downlight for general and accent illumination.
- High lumen output and excellent color rendition for all applications.
- 72" standard length suspension, field adjusted.
- Very shallow ceiling depth required for remote drivers.
- Extremely low brightness downlight with UGR < 16.

Luminaire	Die-caste aluminum for precision fit and heat dissipation Mounting hardware for all ceiling types; trim and trimless EZ clip mounting for secure installation Round open aperture with minimal ceiling interruption and regressed optical chamber
Suspension	72" standard length suspension, field adjusted 2" dia. surface mount, or 5" dia. for 4" j-box
LED	92+ CRI Mid Power 2700K, 3000K, 3500K, 4000K, Warm Dim (1800K-3000K)
Beam	20°, 25°, 35°, 50°
Driver	Remote drivers for all dimming and non-dimming applications 0-10V, Phase, Lutron driver options
Warranty	5-year Limited (see complete company warranty information)
Certifications	ETL and ETL-C for dry and damp location



Canopy



2" dia
5" dia for
4" j-box

1.5" ProTools Downlight

Round Suspended Cylinder

Model	Suspension	Canopy	Power ¹	CRI	CCT ²	Driver ³	Cover	Beam	Trim Finish	Housing Finish	Options
WG-40RPTDL	S	2 5	M	92	27 30 35 40 WD	RSPH RD010 RPEQ0	OA	20 25 35 50	W (std) B S F	W (std) B S F	SOL ⁴ LSL ⁴ HL ⁴ DF EM

Luminaire

- 2" diameter suspended luminaire for general and accent illumination.
- Small aperture, very low brightness downlight.
- High lumen output and excellent color rendition for all applications.
- Minimal ceiling escutcheon.
- Remote driver for 1 or multiple fixtures.

Suspension

- S = Suspension, 72" standard length, field adjusted

Canopy

- 2 = 2" dia. surface mount
- 5 = 5" dia. for 4" j-box

Power¹

- M = Mid Power, 9.1W @ 500mA

CRI

- 92 = 92 CRI

CCT (Mid)²

- 27 = 2700K
- 30 = 3000K
- 35 = 3500K
- 40 = 4000K
- WD = Warm Dimming 1800 - 3000K

Remote Driver³

- RSPH = standard phase (2-wire) 10% dimming, 120V only, 12W, for 1 fixture
- RD010 = eldoLED 0.1% 0-10V dimming, 120-277V, 100W, for 1-8 fixtures
- RPEQ0 = Lutron Hi-Lume Premier 0.1% EcoSystem, 120-277V, 20W, for 1-2 fixtures

Cover

- OA = Open Aperture

Beam

- 20 = 20° Beam Angle
- 25 = 25° Beam Angle
- 35 = 35° Beam Angle
- 50 = 50° Beam Angle

Trim Finish

- W = White, 15% gloss, RAL 9003 / Tiger Drylac 49/11350 (standard)
- B = Black, 15% gloss, RAL 9005 / Tiger Drylac 044/90053
- S = Silver, 15% gloss, RAL 9006 / Tiger Drylac 49/90500
- F = Custom finish, specify RAL code

Housing Finish

- W = White, 15% gloss, RAL 9003 / Tiger Drylac 49/11350 (standard)
- B = Black, 15% gloss, RAL 9005 / Tiger Drylac 044/90053
- S = Silver, 15% gloss, RAL 9006 / Tiger Drylac 49/90500
- F = Custom finish, specify RAL code

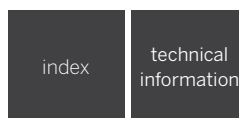
Options

- SOL = Solite Lens⁴
- LSL = Linear Spread Lens⁴
- HL = Honeycomb Louver⁴
- DF = Diffusing Film
- EM = Emergency LED battery backup (remote only)

Whitegoods reserves the right to change any information without prior notice.

Notes

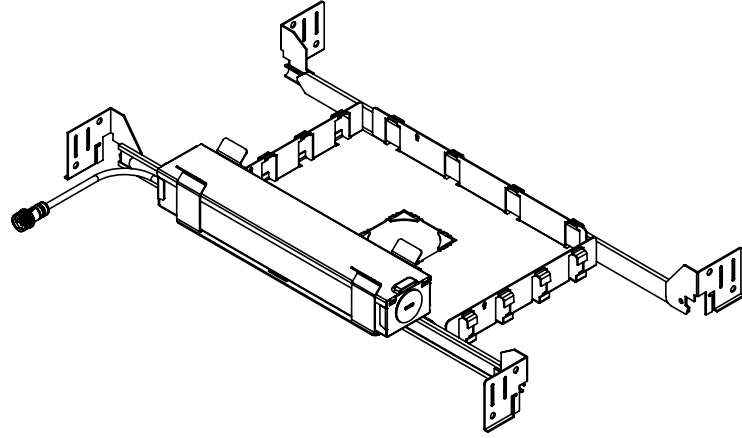
1. Wattage shown is for LED only, system wattage varies depending on driver selected.
2. See photometric data sheet for delivered lumens.
3. See driver information for details.
4. One accessory per fixture.



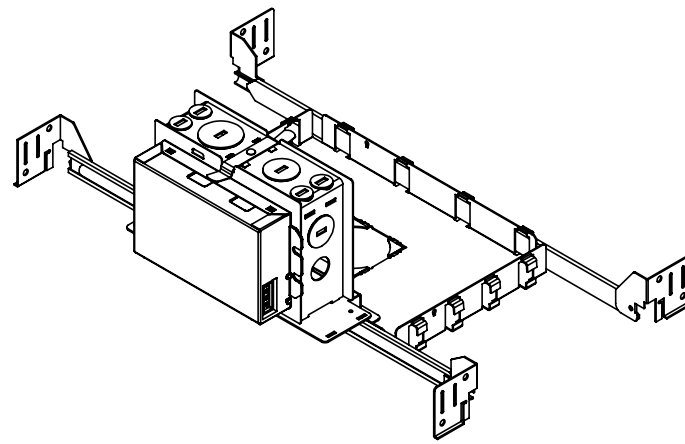
Housings

New Construction

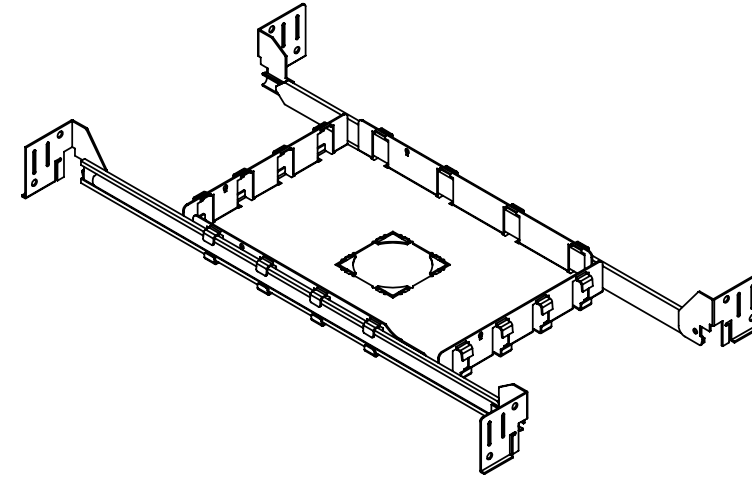
[S, S010, SPH]



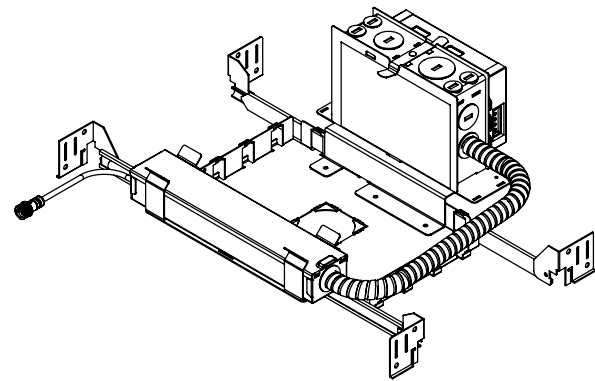
[D010, PEQ0, DALI]



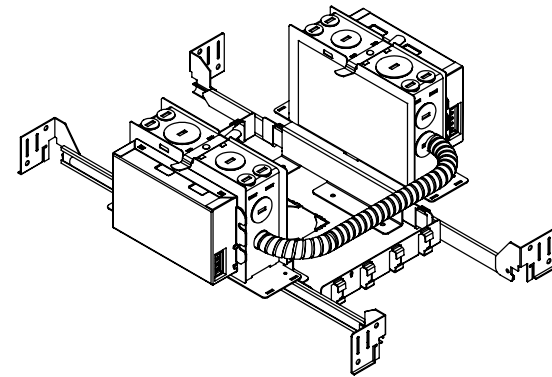
Landing Pan



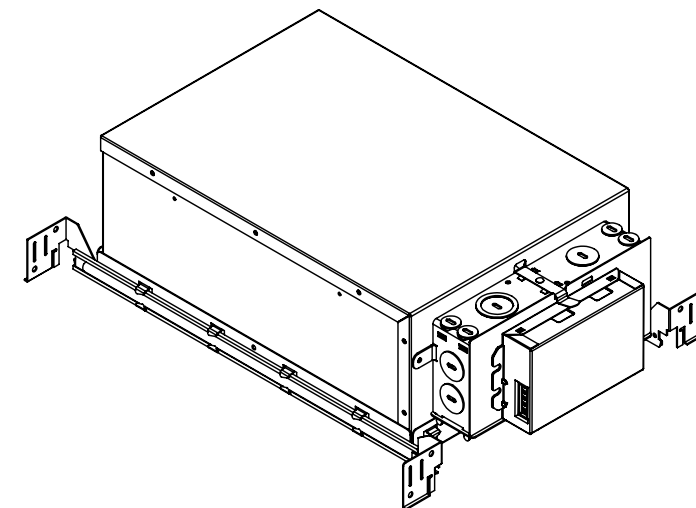
Emergency Driver (EM)



Emergency Driver (EM)



Insulated Ceiling / Chicago Plenum



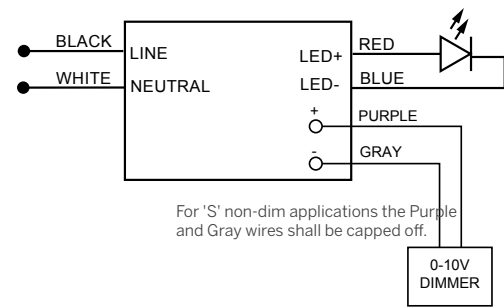
index

Drivers

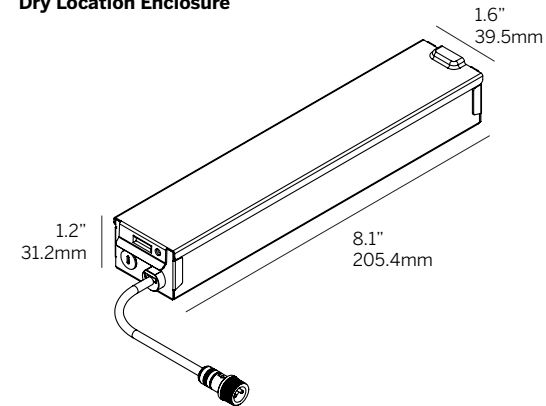
DRIVER PART NUMBER	DRIVER WATTAGE	CONTROL PROTOCOL	DIMMING LEVEL	FIXTURES PER DRIVER	HOUSING [INTEGRAL]	HOUSING [REMOTE]
S1	12W	Non-Dim / 0-10V	1%	1	NC - IC - CP	LP - IC - CP
S2	22W	Non-Dim / 0-10V	1%	1 - 2	NC - IC - CP	LP - IC - CP
SPH	12W	Forward Phase	10%	1	NC - IC - CP	LP - IC - CP
D010	30W	0-10V	1%	1 - 2	NC - IC - CP	LP - IC - CP
PEQ0	20W	EcoSystem	0.1%	1 - 2	NC - IC - CP	LP - IC - CP
DALI	20W	DALI-2	1%	1 - 2	NC - IC - CP	LP - IC - CP
RS1	12W	Non-Dim / 0-10V	1%	1	-	X - LP - IC - CP
RS2	22W	Non-Dim / 0-10V	1%	1 - 2	-	X - LP - IC - CP
RSPH	12W	Forward Phase	10%	1	-	X - LP - IC - CP
RD010	100W	0-10V	0.1%	1 - 8	-	X - LP - IC - CP
RPEQ0	20W	EcoSystem	0.1%	1 - 2	-	X - LP - IC - CP
RDALI	100W	DALI-2	1%	1 - 4	-	X - LP - IC - CP
EM	6W	Emergency	-	1	NC	X - LP - IC - CP

Integral

S1 / S2 = standard eldoLED non-dim or 1% 0-10V dimming, 120-277V (1 or 2 fixtures per driver)



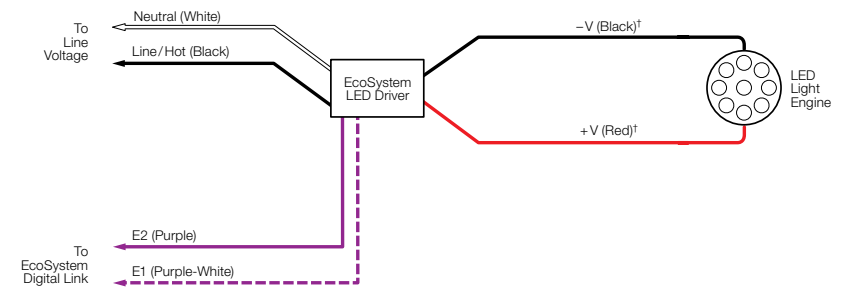
Dry Location Enclosure



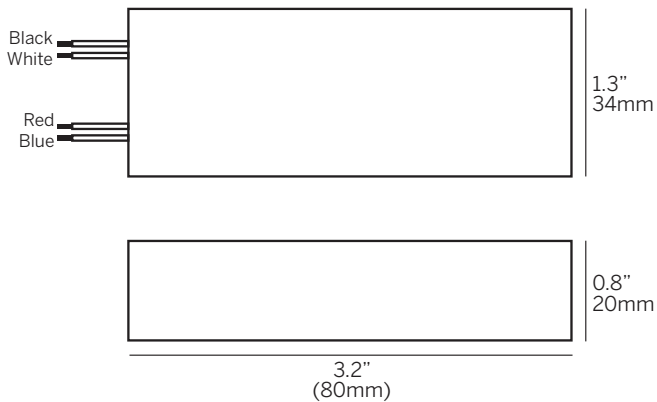
D010 = eldoLED 1% 0-10V dimming, 120-277V (1-2 fixtures per driver)



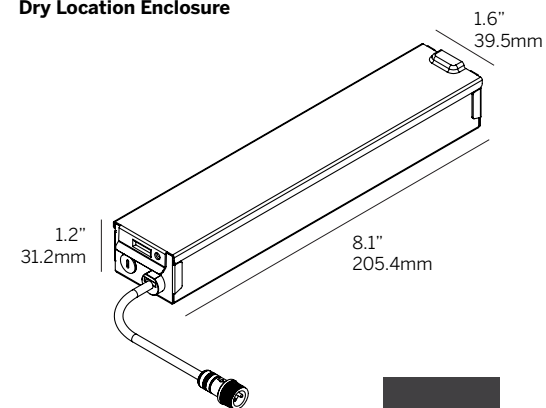
PEQ0 = Lutron Hi-Lume Premier 0.1% EcoSystem, 120-277V (1-2 fixtures per driver)



SPH = standard phase (2-wire) 10% dimming, 120V only (1 fixture per driver)



Dry Location Enclosure



DALI = eldoLED DALI-2 0.1% dimming, 120-277V (1-2 fixtures per driver)

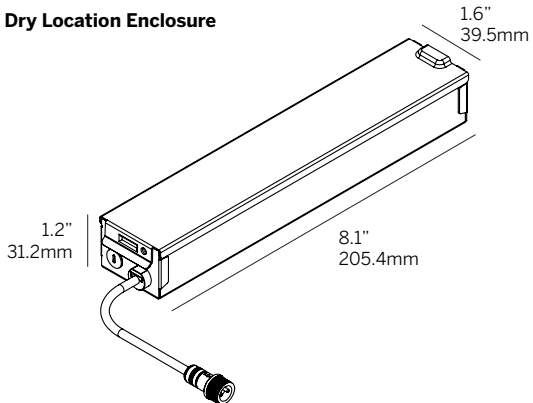
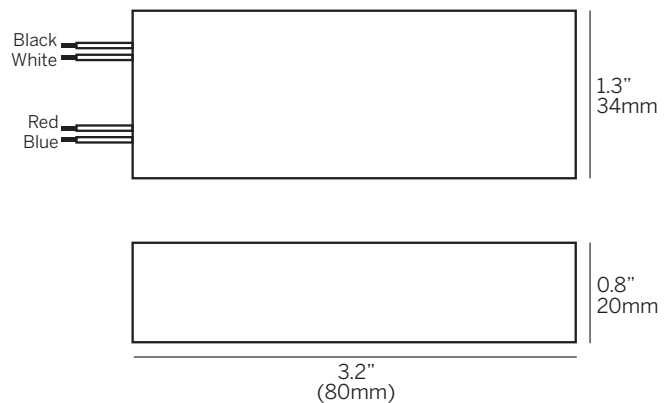


index

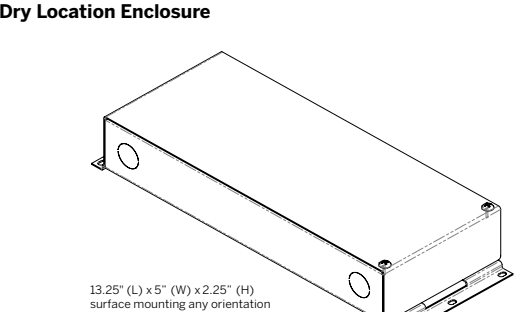
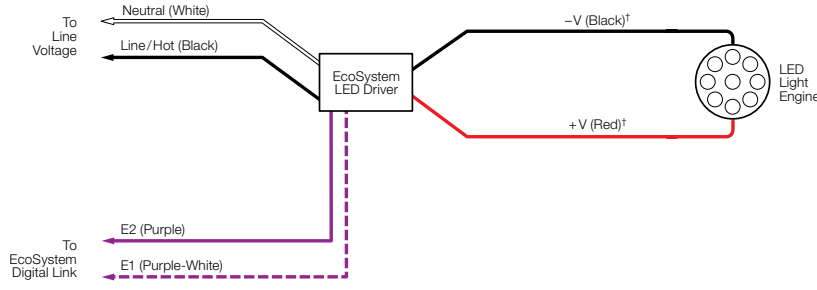
Drivers

Remote

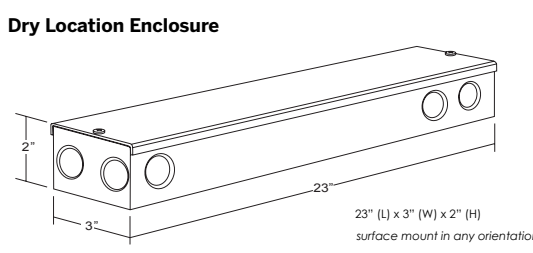
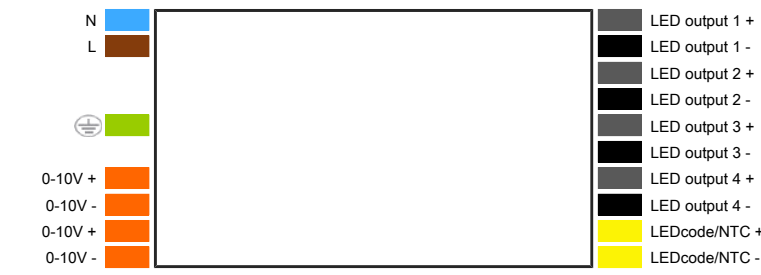
RSPH = standard phase (2-wire) 10% dimming, 120V only [remote] (1 fixture per driver)



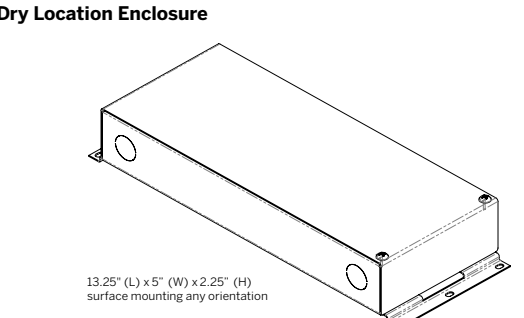
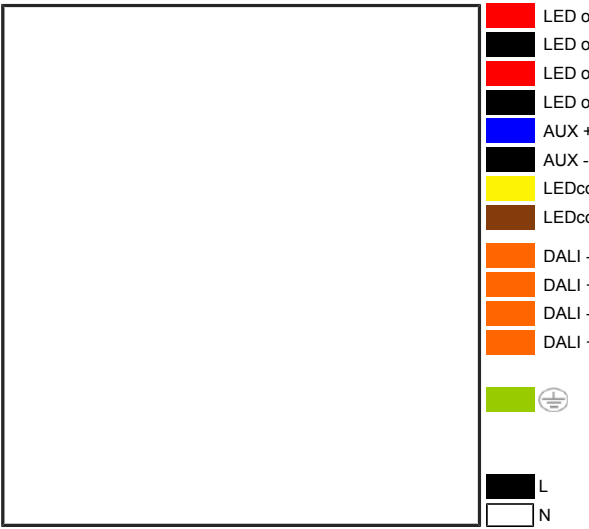
RPEQO = Lutron Hi-Lume Premier 0.1% EcoSystem, 120-277V [remote] (1-2 fixtures per driver)



RD010 = eldoLED 0.1% 0-10V dimming, 120-277V [remote] (1-8 fixtures per driver)



RDALI = eldoLED DALI-2 0.1% dimming, 120-277V [remote] (1-4 fixtures per driver)



index



The application of light to the surfaces around us is a critical factor in our perception of any space.

When proper consideration is given to the architecture, function and the desired atmosphere, lighting can become a truly integrated part of the overall environment being created, often unseen although defining and enhancing the space.