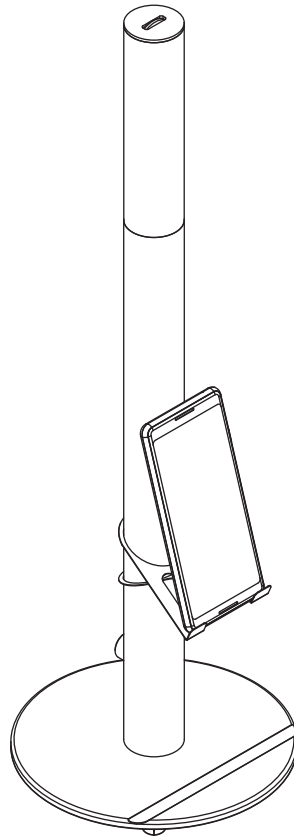




## Installation and Maintenance Instructions




**IMPORTANT: All wiring connections must be made before switching on mains power.**

 Xicato 0.4" (9.8mm) XOB LED Module (static white only)

**IP20** Indoor Use Only

 Luminus CDM 0.35" (9mm) 3000-1800K 14.5W (warm dim only)

 Please retain these instructions for future reference

## Electrical Supply

Installation must be carried out by a qualified electrician in accordance with BS 7671:2008 Wiring Regulations. 230/240V AC 50/60Hz mains supply. A suitable 13Amp UK plug has been supplied with a 5Amp fuse fitted.

Site conditions: LED equipment is more susceptible to static damage and over voltage than previous technology. Before handling or connecting to the mains supply ensure that all Stoane Lighting (SL) products are protected from static discharge and that the mains supply is to regulation. (230V +10 -6%)

Refer to the fitting label for the LED module version and wattage. The standard fitting uses a Xicato 9.8mm XOB, a 9mm Luminus CDM is used for the warm dim version.

**All connections must be made before switching on mains.** If the supply is energised prior to making the connections to the fitting then the resulting surge will damage the LED.

SL can provide assistance on dimming compatibility or control systems by request. For advice on specific dimming systems we recommend seeking assistance from the commissioning engineer or the control systems provider in the first instance.

## Maintenance:

All lighting equipment is delicate and easily damaged through misuse or inappropriate installation (mechanical or electrical). Repairs and replacements may cause delays and will be chargeable. Contact SL for support if required.

All Stoane Lighting products are covered by a five year Warranty and a 25 year Duty of Care. Products are designed to be upgraded, adapted and refreshed using our comprehensive ReNew service. For more information on our ReNew service and for full Warranty terms and conditions visit [stoanelighting.com](http://stoanelighting.com) or contact us at the address shown.

The light source contained in this luminaire shall only be replaced by the manufacturer or his service agent or a similar qualified person.

If the external flexible cord of this luminaire is damaged, it shall be exclusively replaced by the manufacturer or his service agent or similar qualified person in order to avoid a hazard.

## Installation

This fittings should be positioned on a suitable flat and secure surface.

**WARNING: Do not look at exposed LED lamps in operation. Eye injury can result.**

Additional items should not be hung or suspended from this fitting. SL takes no responsibility for additional items added by others or the consequences of those items.

## Adjustment

Allow fitting to cool before adjusting.

To adjust the beam of the fitting rotate the top disc as required.

## Dimming

This fitting is supplied with on board dimming via dimmer knob on the side of the fitting.

When supplying digital equipment with the potential to be connected to networks, physically or wirelessly (i.e. Bluetooth, WiFi, DMX radio etc.), SL does not take responsibility for the digital security of the equipment or associated networks. It is the customer's responsibility to select a protocol suitably robust for their requirements and to ensure responsible utilisation of passwords.

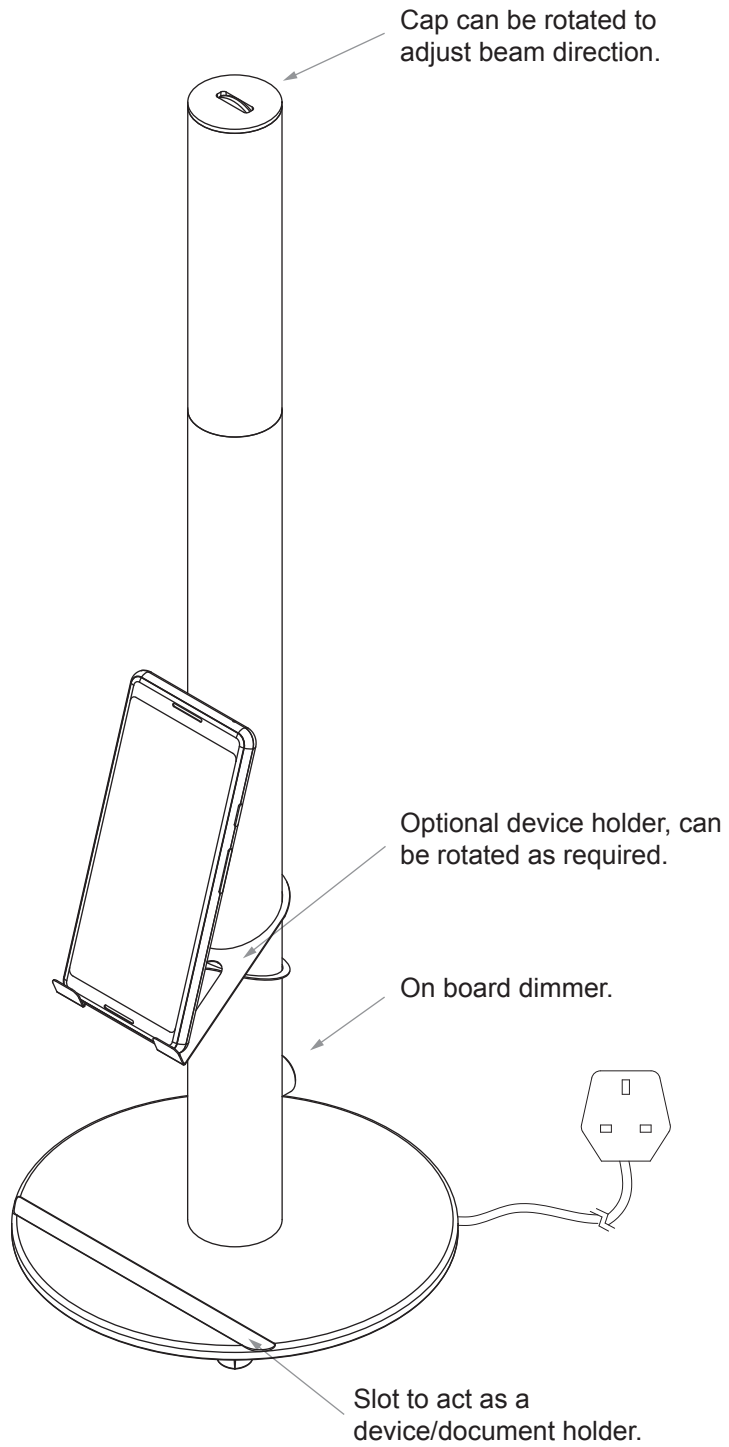
## Cleaning:

Fully isolate the fitting and allow to cool.

Clean the fitting with a slightly damp lint free cloth from a mild solution of soap and water. The fitting must be completely dry before reconnecting power.

Incompatible or abrasive chemicals can damage the fitting, contact SL for advice if required.

①



## Desk Clamp (if supplied)

Isolate the fitting and allow to cool.

Use the supplied handle to tighten the clamp against the desk and lock in position.

Once the fitting is secure, adjust the beam position and the phone holder (if supplied) position as required.

