

2.4" General Downlights (GDL)



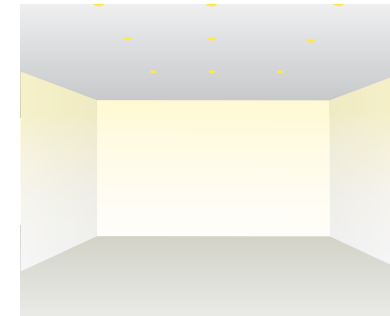
whitegoods



2.4" General Downlights

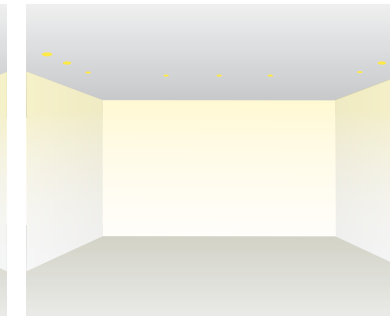
The Whitegoods GDL was designed to be an all-purpose, budget conscious solution where a small aperture downlight family with minimal ceiling depth requirement is preferred, for both. Flush lens downlight for high-angle illumination and cone reflector downlight for optimal brightness control, both available in wet location for showers and outdoors, and wallwash fixtures are used in multi-residential projects, hotels, restaurants and residences. Integral, shallow depth driver and housing combinations, as well as remote driver options expand the range and make it the choice when ceiling depth is at a premium.

Downlight



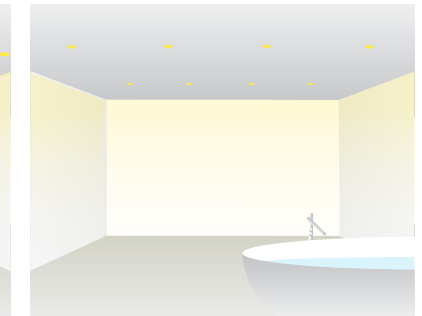
Downlighting, while the most common lighting solution utilized for general area lighting, is not always a sign of best practice, and typically has more to do with economy and ease of implementation. However, when applied to a space with some consideration, it can be an effective technique. Whitegoods GDL luminaires have good 'high angle distribution', which can help deliver additional light to the vertical surfaces of the space allowing the space to feel brighter.

Washlight



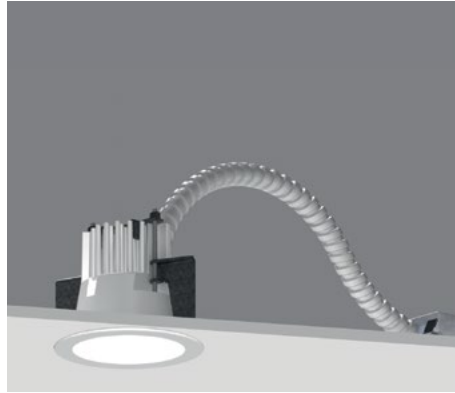
The wall wash is a great way to introduce light into a room as the brightness of the vertical surfaces around us play a crucial role in our perception of a space. Washlights will provide a wide, even beam of light which is directed towards the wall, to create the effect. Washlights need to be correctly positioned, both in terms of distance from the wall, and their relative distance to one another to provide the desired effect.

Wet Location

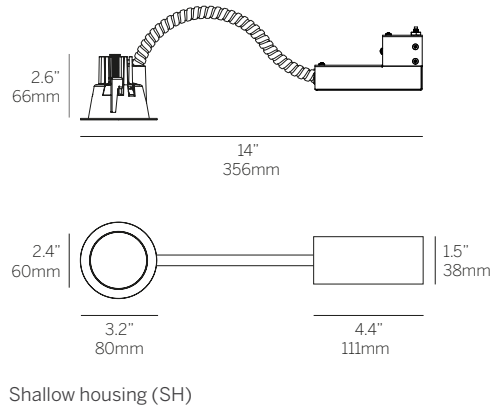
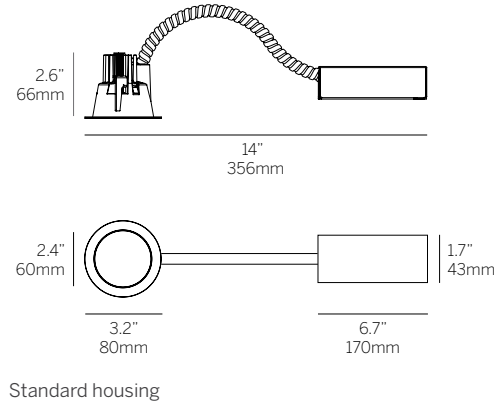


Available in wet location for use outdoors as well as in showers and other applications where they may be exposed to moisture. Specialized silicon seal rings protect against moisture ingress, and are impervious to degradation caused by UV.

2.4" General Downlight Flush Round Opal Diffuser

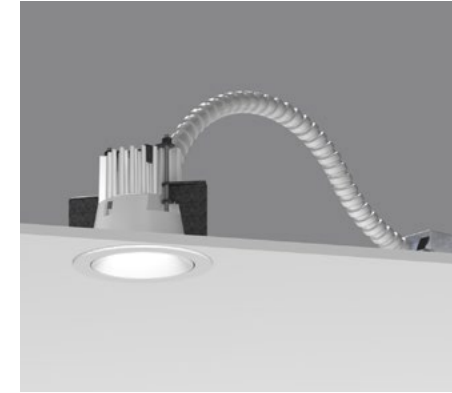


- Part of a family of 2.4" aperture matching downlights.
- General downlight with high-angle distribution provides illumination to adjacent walls.
- Very shallow depth, installed from below the finished ceiling.
- Integral or remote driver accommodate a large selection of driver and control options.
- White and silver finish as standard.
- Mounts in 1/16" to 1" surface.
- Wet Location standard for use in showers and outdoors.
- Made in the USA.
- 5-year Warranty.

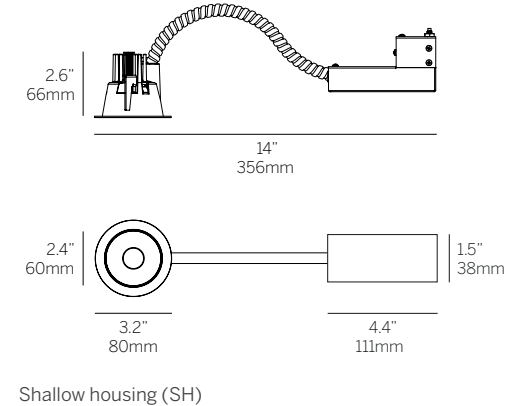
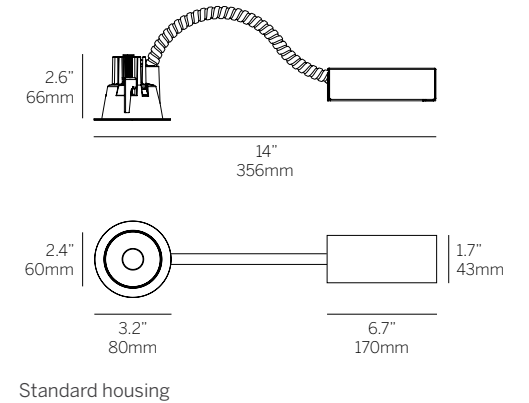


technical
information

2.4" General Downlight Round Regressed Cone

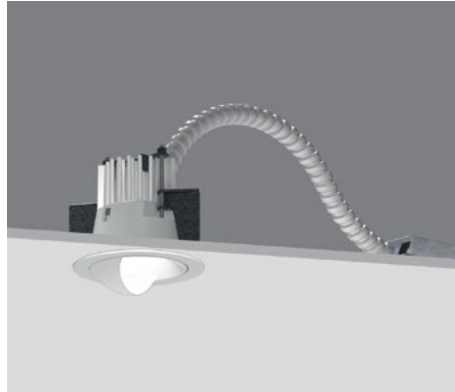


- Part of a complete family of 2.4" aperture matching downlights.
- 50° Cut Off, giving good visual comfort.
- Installation from below the ceiling for remodel and new construction.
- High efficiency clear textured lens deep set into cone cover.
- Integral or remote driver.
- White and silver finish as standard.
- Mounts in 1/16" to 1" surface.
- Wet Location as standard option (WL).
- 74° symmetrical beam spread suitable for general illumination.
- Made in the USA.
- 5-year Warranty.

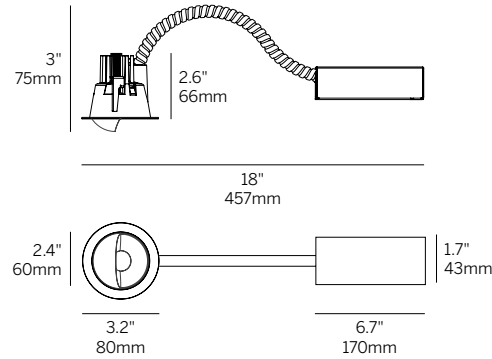


technical
information

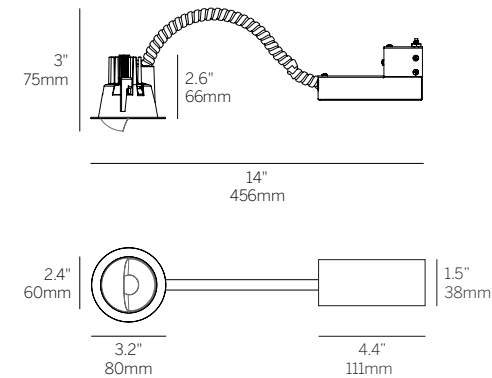
2.4" General Downlight Round Wall Wash



- Part of a family of 2.4" aperture matching downlights.
- General downlight with scoop wall wash reflector provides illumination to adjacent walls.
- Very shallow depth, installed from below the finished ceiling.
- Integral or remote driver accommodate a large selection of driver and control options.
- White and silver finish as standard.
- Mounts in 1/16" to 1" surface.
- Wet Location standard for use in showers and outdoors.
- Made in the USA.
- 5-year Warranty.



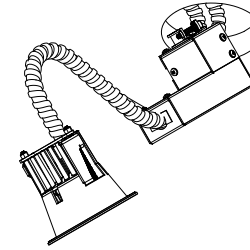
Standard housing



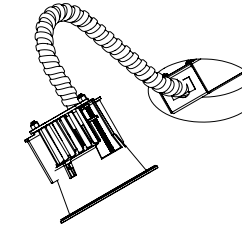
Shallow housing (SH)

technical
information

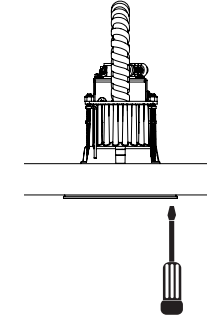
Ease of Installation



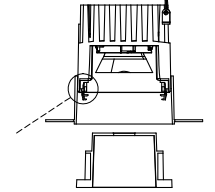
Pull Power Cable and Control Cable through the ceiling opening.



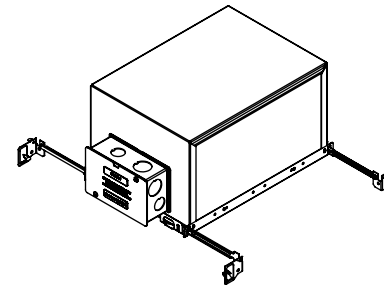
Insert the Driver Housing into the ceiling opening.



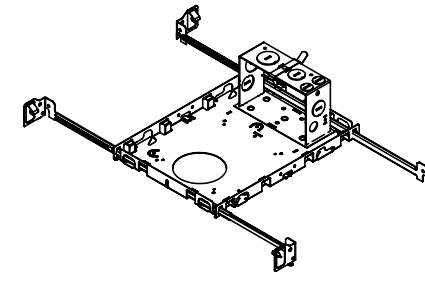
Screw the 2 phillips head screws clockwise to engage the Ceiling Brackets.



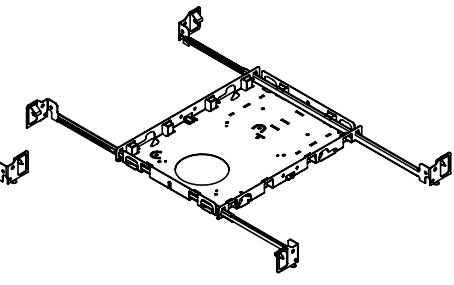
Click the Cover into the Housing for final installation.



Chicago Plenum Housing (CP) /
Insulated Ceiling Housing (IC)



New Construction Housing (NC)
(requires accessible ceiling)



Landing Pan (LP)

The application of light to the surfaces around us is a critical factor in our perception of any space.

When proper consideration is given to the architecture, function and the desired atmosphere, lighting can become a truly integrated part of the overall environment being created, often unseen although defining and enhancing the space.